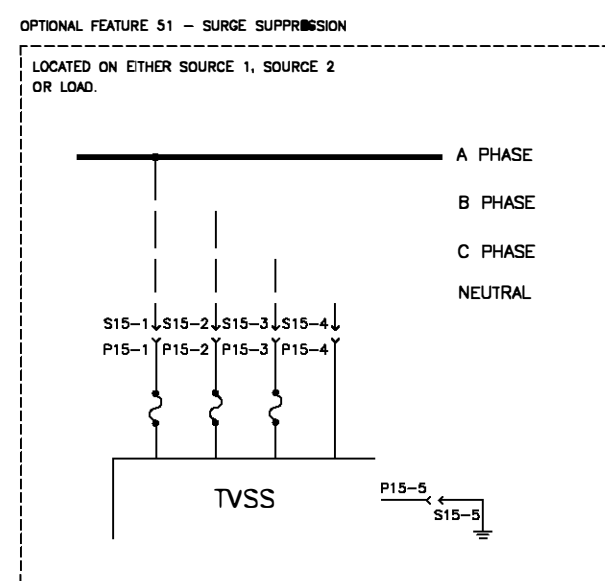
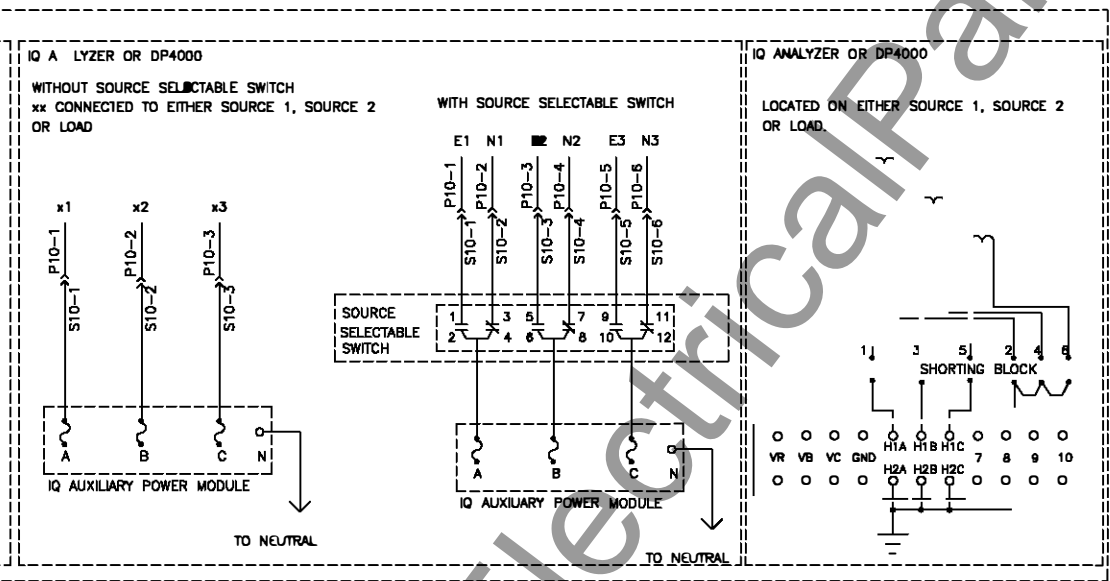
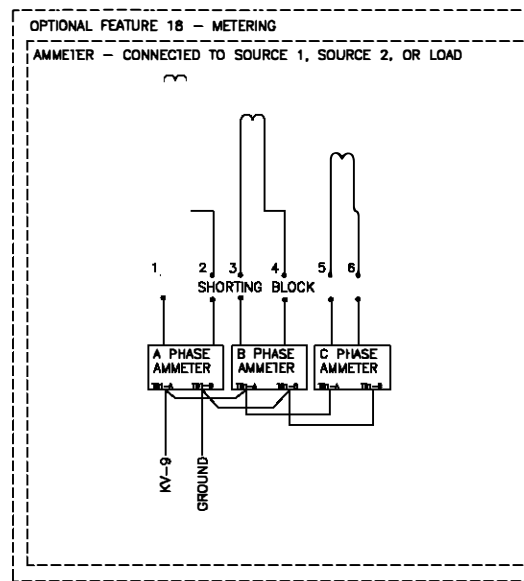


LEGEND & NOTES

- COMMON REFERENCE
- CURRENT TRANSFORMER LOCATED PER 18x OPTION
- FEMALE CONNECTION
- FIXED MOUNT SWITCHING DEVICE
- FUSE
- MALE CONNECTION
- MECHANICAL INTERLOCK
- MULTITAP TRANSFORMER
- N.C. PUSHBUTTON
- N.C. SELECTOR SWITCH
- N.C. CONTACT
- N.O. CONTACT
- N.O. PUSHBUTTON
- N.O. SELECTOR SWITCH
- RELAY OR TIMER, 120VAC
- TERMINAL BLOCK

- ERA - SOURCE 2 AUXILIARY RELAY
- ESx - SOURCE 2 AUXILIARY SWITCH
- ETx - SOURCE 2 TRANSFORMER
- Ex - SOURCE 2 CUSTOMER CONNECTION
- FSx - FUSE HOLDER
- KV - VOTING RELAY
- NRA - SOURCE 1 AUXILIARY RELAY
- NSx - SOURCE 1 AUXILIARY SWITCH
- NTx - SOURCE 1 TRANSFORMER
- Nx - SOURCE 1 CUSTOMER CONNECTION
- Px - FEMALE CONNECTOR
- SDSS - SERVICE DISCONNECT SELECTOR SWITCH
- SDSSx - SDSS CONTACT
- Sx - MALE CONNECTOR
- Tx - LOAD CUSTOMER CONNECTION

- NOTE A: TERMINALS ARE TO BE CONNECTED TO REMOTE START CONTACT FROM GENERATOR.
- NOTE B: IF THIS OPTION IS INSTALLED, THE TRANSFER SWITCH WILL BE LABELED NON-AUTOMATIC TRANSFER SWITCH.
- NOTE C: NEUTRAL SWITCHED ON 4 POLE DEVICE
- NOTE D: REMOVE TO TRANSFER TO SOURCE 2



Pin Assignments

1	2	3	4	5	6	7	8	9	10
NT1	ET1								

P7/S7 Voltage Selector plug detail

208	220	240	380	415	480	600
block	brown	blue	green	blk/whtgrn/wht	red	

1	2	3
REVISION GS-1939	SEE SHEET 2 AND 3 FOR DETAILS	LATHROP 04/05/04 LATHROP PRINCE
RN # GS-2107		RN # GS-2159 REVISE PER MARKUP
		HEG 06/02/2004 LATHROP PRINCE

UNLESS OTHERWISE SPECIFIED

DIMENSIONS IN INCHES	DFTR	DATE
ONE PLACE DEC	KOZAR	09/12/2003
TWO PLACE DEC	APPD	
THREE PLACE DEC	BERAD	
ANGLE	APPD	
ONE PLACE MM	PRINCE	
TWO PLACE MM	ENGR REF	
VOLTAGE	NEXT ASSY	
RESISTANCE	TOOL REF	
AMPERAGE	DSPEC	
FORCE, TORQUE, SPEED		
TIME		
TEMPERATURE		

DIMENSIONS TO BE INTERPRETED IN ACCORDANCE WITH ASME Y14.5M-1994

EATON | **Cutler-Hammer**

BEAVER PLANT, BEAVER, PA

TITLE: AUTOMATIC TRANSFER SWITCH
ATC-300 CONTROLLED WALL MOUNT
INTERNATIONAL VOLTAGE WIRING DIAGRAM

SIZE: B
SCALE: CMS

DIRECTORY: PARTS LIST

DWG NO: 68B2568

PRODUCT CODE: 6448 | SHEET NO: 1 OF 3

4

3

2

1

B

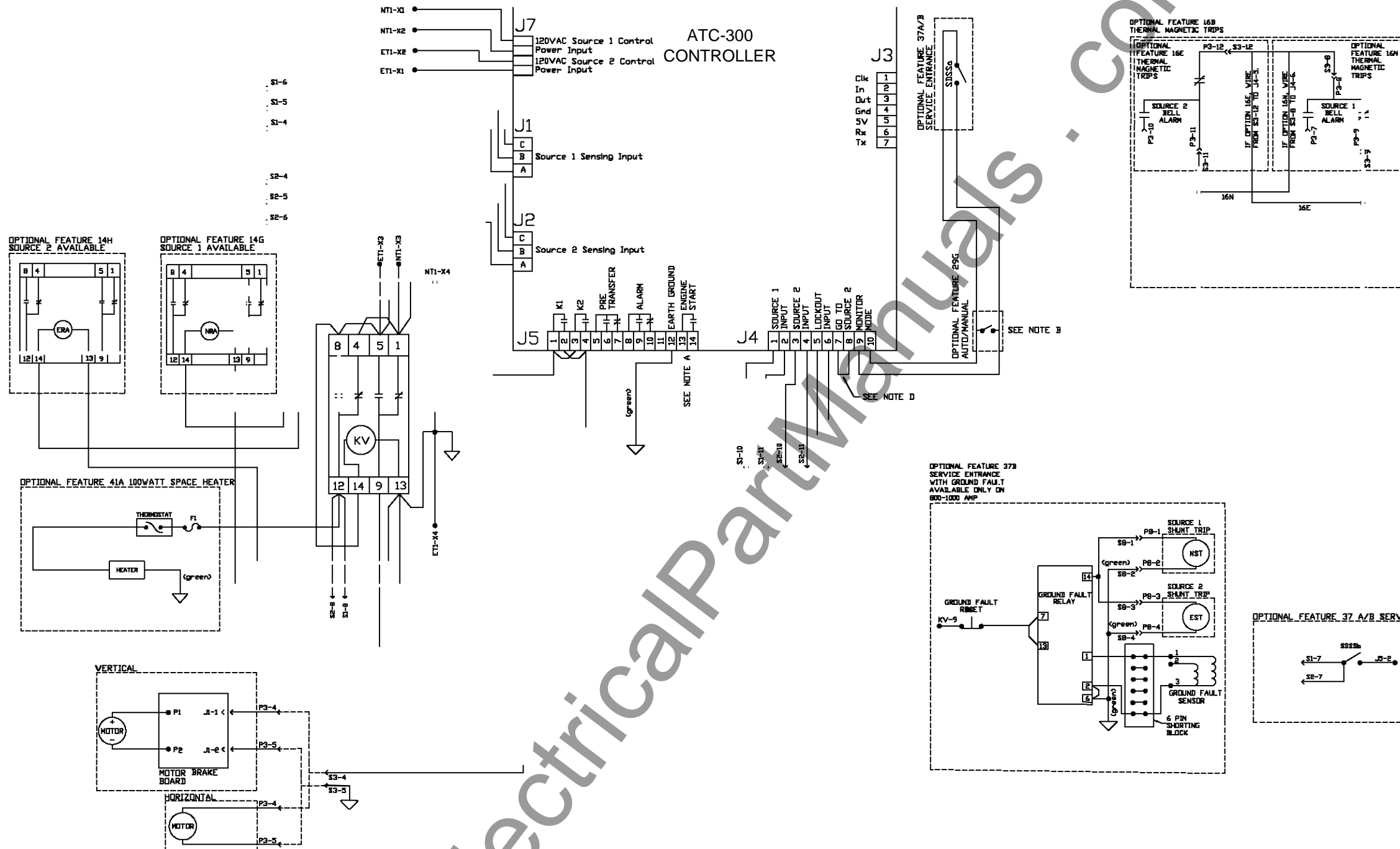
B

A

A

A

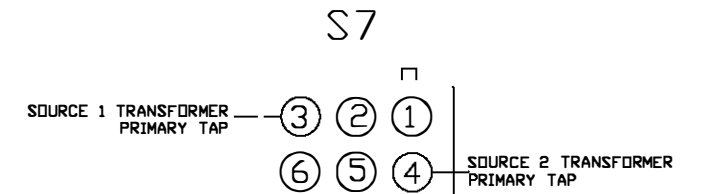
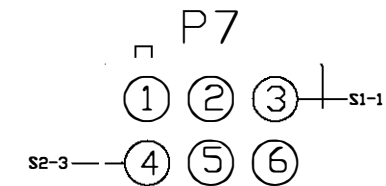
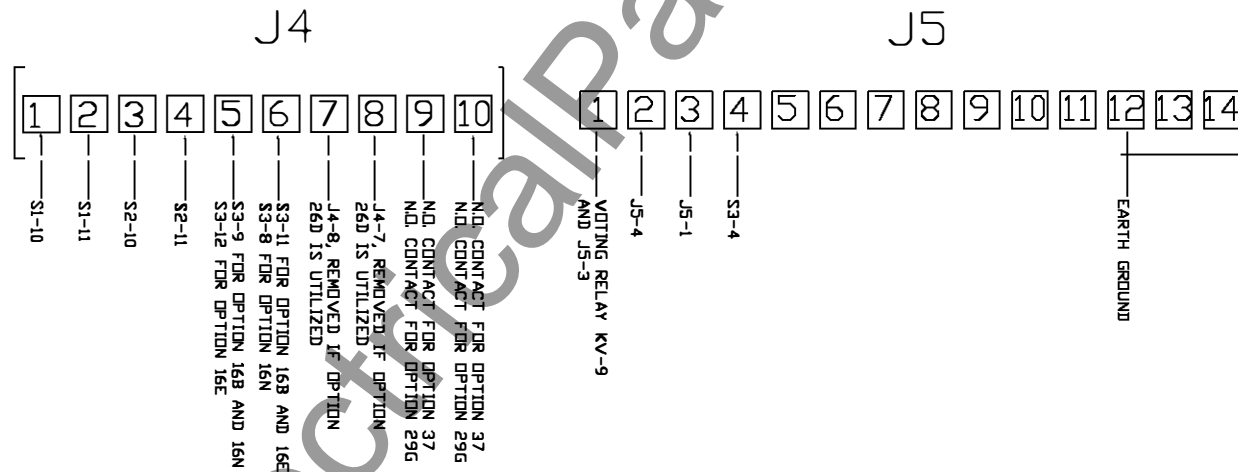
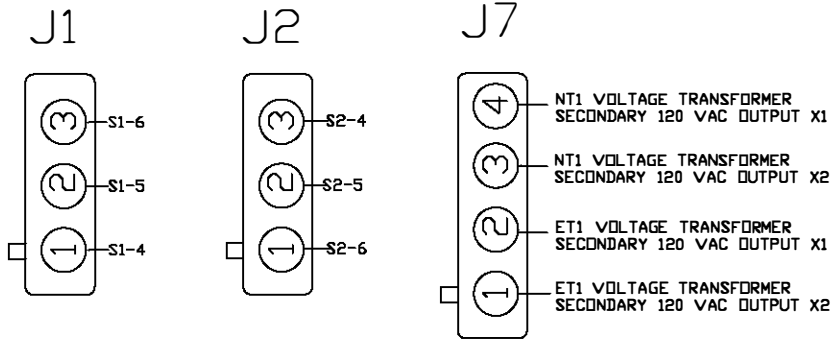
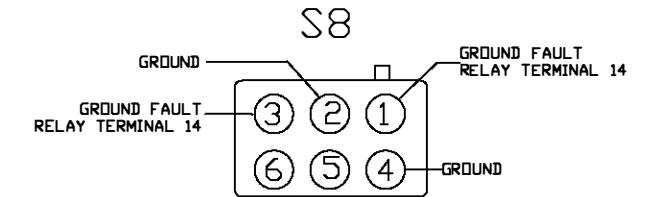
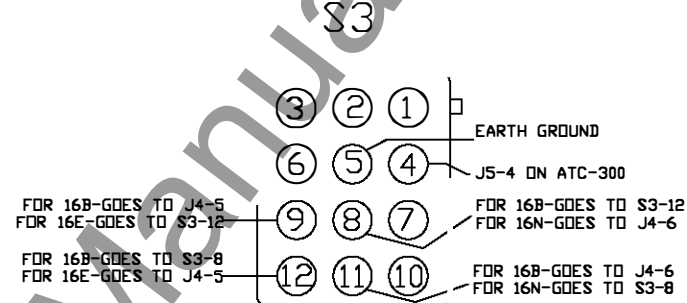
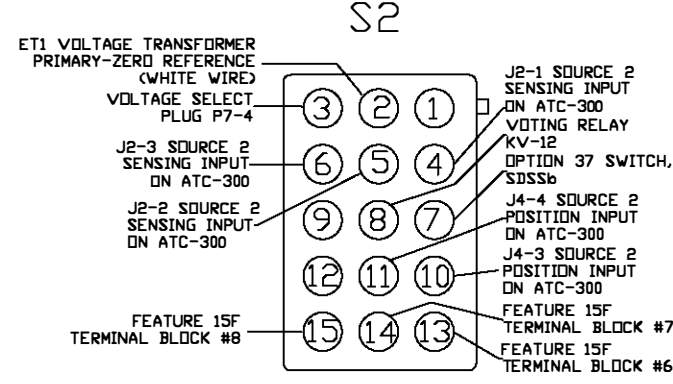
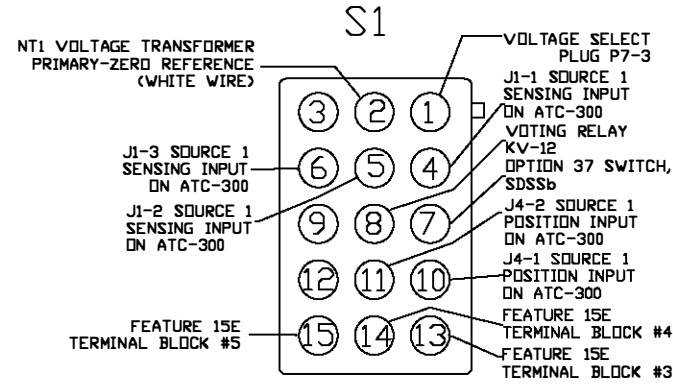
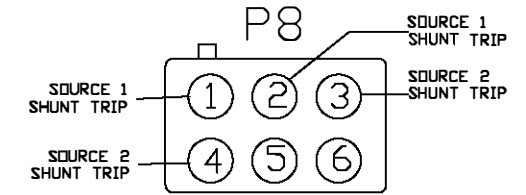
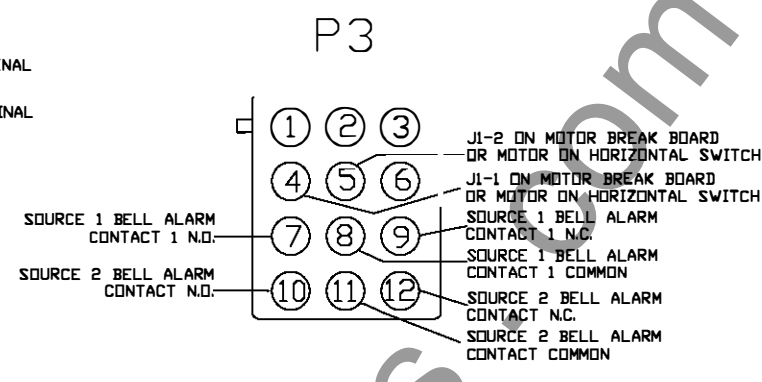
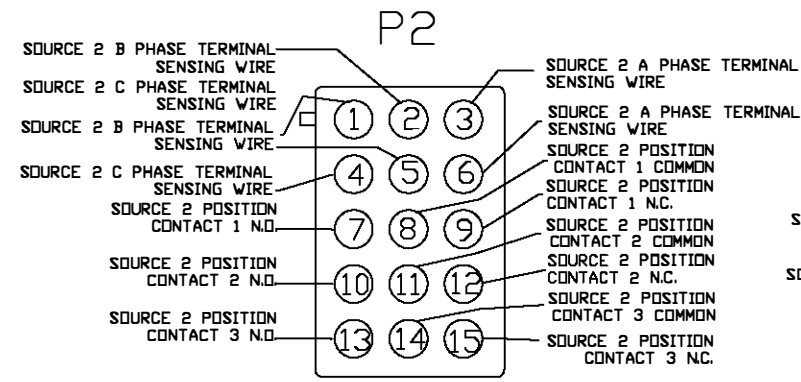
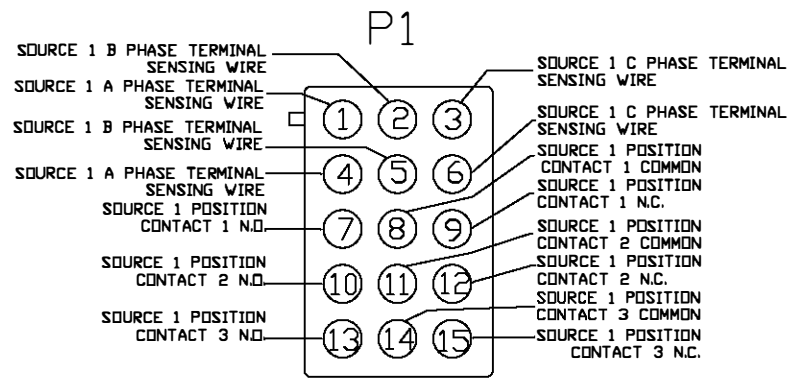
A



1	REVISION GS-1939
2	RN # GS-2107 J1, J2, AND J7 WERE NUMBERED
3	LATHROP 04/05/04 LATHROP PRINCE
4	RN # GS-2159 SEE SHEET 1 HEG 06/02/2004 LATHROP PRINCE

UNLESS OTHERWISE SPECIFIED	DFTR KOZAR	DATE 09/12/2003
DIMENSIONS IN INCHES	APPD BERAD	
ONE PLACE DEC ±0.1	APPD PRINCE	
TWO PLACE DEC ±0.02	ENGR REF	
THREE PLACE DEC ±0.005	NEXT ASSY	
ANGLES ±0.5	TOOL REF	
ONE PLACE MM ±0.5	DSPEC	
TWO PLACE MM ±0.13		
VOLTAGE ±5%		
RESISTANCE ±10%		
AMPLERAGE ±2%		
FORCE, TORQUE, SPEED ±10%		
TIME ±1%		
TEMPERATURE ±3°C		
±5°F		
DIMENSIONS TO BE INTERPRETED IN ACCORDANCE WITH ASME Y14.5M-1994		

EATON		Cutler-Hammer	
THE INFORMATION ON THIS DRAWING IS THE PROPERTY OF EATON CORPORATION. IT IS DISCLOSED IN CONFIDENCE AND IS NOT TO BE REPRODUCED, USED, OR DISCLOSED EXCEPT FOR THE PURPOSE FOR WHICH FURNISHED.			
BEAVER PLANT, BEAVER, PA			
TITLE AUTOMATIC TRANSFER SWITCH ATC-300 CONTROLLED WALL MOUNT INTERNATIONAL VOLTAGE WIRING DIAGRAM			
SIZE B	DIRECTORY CMS	DWG NO 68B2568	
SCALE	PARTS LIST	PRODUCT CODE 6448	SHEET NO 2 OF 3



1	2	3	UNLESS OTHERWISE SPECIFIED	DFT	DATE	EATON	Cutler-Hammer
REVISION	CS-1939		DIMENSIONS IN INCHES	KOZAR	10/07/2003		
CS-1939			ONE PLACE DEC ±0.1	APPD		TECHNOLOGY AND QUALITY CENTER PITTSBURGH, PA	
J2-3 WAS S2-6			TWO PLACE DEC ±0.02	LATHROP		TITLE	
J2-1 WAS S2-4			THREE PLACE DEC ±0.005	PRINCE		AUTOMATIC TRANSFER SWITCH	
LATHROP 04/05/04			ANGLES ±0.5	ENGR REF		ATC-300 CONTROLLED WALL MOUNT	
LATHROP			ONE PLACE MM ±0.5	NEXT ASSY		INTERNATIONAL VOLTAGE WIRING DIAGRAM	
PRINCE			TWO PLACE MM ±0.13	TOOL REF		SIZE	DIRECTORY
RN # GS-2159			VOLTAGE ±5%	DSPEC		B	CMS
SEE SHEET 1			RESISTANCE ±10%			SCALE	DWG NO
HEG 06/02/2004			AMPERAGE ±2%				68B2568
LATHROP			FORCE, TORQUE, SPEED ±10%				PARTS LIST
PRINCE			TIME ±1%				5724B76
			TEMPERATURE ±3°C				PRODUCT CODE
			±5°F				6448
							SHEET NO
							3 OF 3