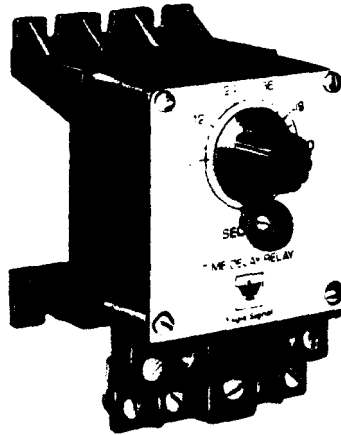


MOTOR OPERATED
BR
SERIES RESET TIMER

I. L. BR-1



Westinghouse

BR1

Enclosed construction with front facing dial, knobs, and dial lock mechanism. Features a 7 position, screw type terminal block.

These BR series reset timers are synchronous motor driven. They provide an accurate adjustable time delay between the actuation of the control circuit and the operation of the load switches.

"On delay" is achieved thru the use of an external clutch drive mechanism. This clutch drive provides much faster reset times, longer time ranges, and substantially longer motor life. The instantaneous contact operates directly with the clutch and closes instantly when the clutch is energized, remaining closed until the clutch is de-energized. This instantaneous contact allows the BR timer to be used in a much greater number of control circuit configurations than any other timer in its class.

The BR1 timer has a heavy duty phenolic terminal block, with screw terminals that will readily accept 16 gauge wire commonly used in Industrial circuit wiring.

The case of the BR series timer is injection molded Lexan. This material is recognized by Underwriters Laboratories for use as the sole support of current carrying components. Lexan is *self-extinguishing, has a high impact strength, and high dimensional stability.

BR1 "ON" DELAY TIMERS
CONTROL CIRCUITS
WIRING DATA

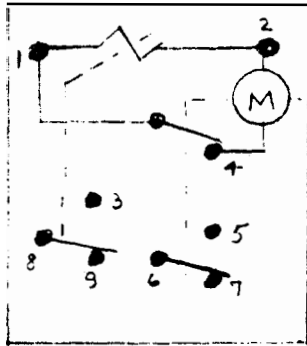
Westinghouse

BASIC SEQUENCE OF CONTACT
OPERATION FOR BR-1 TIMER

X – Closed Contact

O – Open Contact

"ON" DELAY



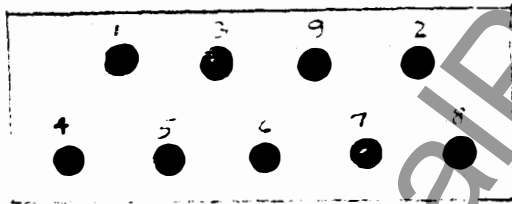
		RESET	TIMING	TIMED OUT
A	CLUTCH	OFF	ON	ON
	MOTOR	OPTIONAL	ON	OFF
B	3-2	O	X	X
C	5-6	O	O	X
	6-7	X	X	O

A. Timer Control Functions

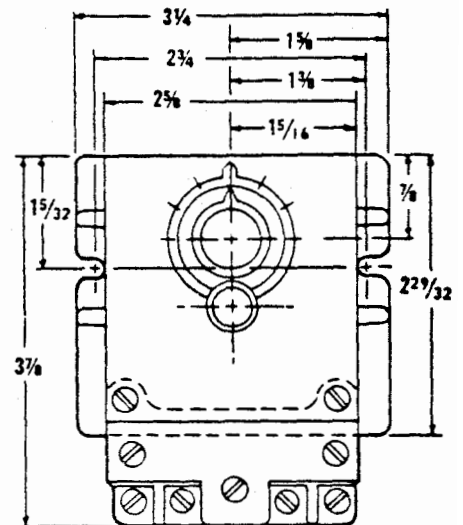
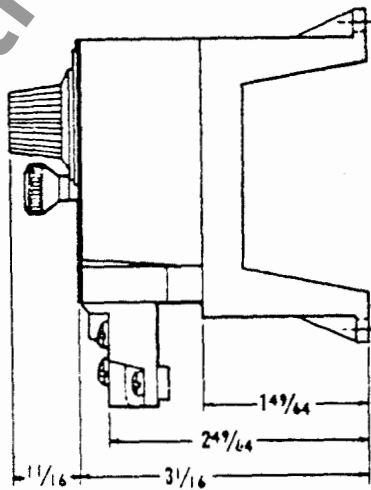
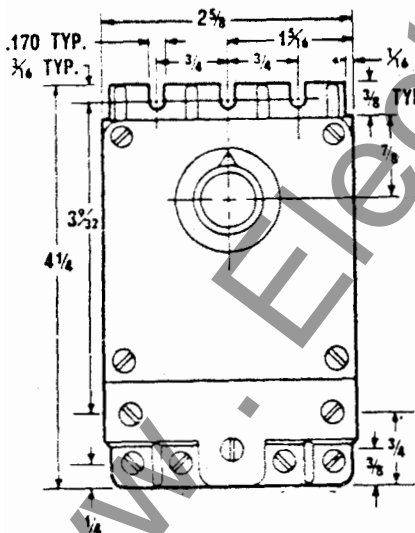
B. Instantaneous Contacts

C. Delayed Contacts

9 POINT
TERMINAL BLOCK



PHYSICAL CHARACTERISTICS



SPECIFICATIONS
TYPE BR1
MOTOR OPERATED TIMERS

Westinghouse

**U.L. & CSA
Approved Control Rating**

10 Amps, ¼ HP, 120/24 VAC;
½ Amp, 125 VDC; ¼ Amp, 250 VDC

Power Consumption

Motor	3.5 VA
Clutch	4.0 VA

Reset Time

200 MS at maximum setting

Operating Speed

Pull-in 30 MS maximum
Dry out 4 MS maximum

Repeat Accuracy

Room Temp. \pm ¼ % of Full Scale
Rated Temp. \pm 1 ½ % of Full Scale

Dial Setting

Accuracy \pm 1 % of Full Scale
Minimum Setting 3 % of Full Scale

Temperature Range

-20°F to +140°F

Recognized under the component program of Underwriters'
Laboratories

File #E29403

CSA approved under file #LR27967

FM approved under file #21038

www.ElectricalPartManuals.com



WESTINGHOUSE ELECTRIC CORPORATION
GENERAL CONTROL DIVISION

Asheville, N.C. 28813