

NORPAK[®]

Solid State Logic Control

CONTENTS

Description	Pages
Encapsulated Input & Output Devices	2
Encapsulated Logic Devices	3
Power Supplies	4
Tools, Testers & Wiring Supplies	4 & 5
Plug-In NORPAK Input & Output Devices	5
Plug-In NORPAK Logic Devices & Frames	6
Dimensions Drawings	7 thru 10



SQUARE D COMPANY

PLUG-IN NORPAK LOGIC

CLASS 8854 PLUG-IN NORPAK DEVICES		Type	Price
NOR Packs			
10 Standard NORs, 3 inputs, fanout 5 units		SL-1	\$130.
NOR 8 PACK — 4 three Input NORs with direct base connections and 4 Four Input NORs		SL-2	125.
8 Standard NORs, 4 inputs, fanout 5 units		SL-41	100.
8 Standard NORs, 3 inputs plus direct base input, fanout 5 units		SL-42	100.
10 Power NORs, 3 inputs, fanout 10 units		SL-35	140.
8 Power Amplifiers, 3 inputs, can be used as a 250 ma, 20 volt dc amplifier or as a power NOR with fanout to 150 units		SL-5	260.

CLASS 8854 PLUG-IN NORPAK DEVICES		Type	Price
Counters and Shift Registers			
0-15 Binary or 0-9 BCD Counter, Unidirectional, 4 bit 1-2-4-8 code		SL-6	\$180.
0-9 BCD Bidirectional Counter Pack, 4 bit, 1-2-4-8 code includes decoding/driving circuitry for SR-4 readout tube		SL-11	320.
Shift Register, 1 bit, 5 zone		SL-9	180.

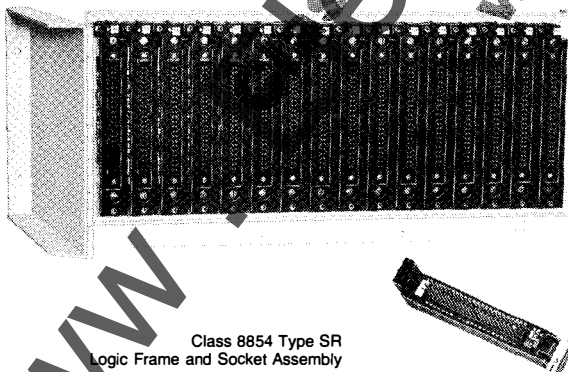
CLASS 8854 PLUG-IN NORPAK DEVICES		Type	Price
Time Delay 2 Pack (two timers adjustable in range .1 to 300 sec.)			
		SL-7	\$320.
Single Shot 4 Pack, four circuits with adjustable output pulses			
		SL-8	280.
Pulse Element 10 Pack, ten trail edge gated pulse circuits for use with direct base inputs of SL-42 or SL-2 NORs			
		SL-21	120.
Transfer Memory 6 Pack, five dual pulse elements and flip-flop NOR memories			
		SL-10	180.
Annunciator 2 Pack, two circuits for monitoring N.O. or N.C. contacts			
		SL-20	340.
Retentive Memory Adder 5 Pack, five magnetically held reed relay circuits for use with flip-flop memories, counters or shift registers			
		SL-4	380.
OR Diode 20 Pack, twenty single input isolated diodes			
		SL-3	110.
Sealed AND 4 Pack, four 4 input AND functions each with sealed memory provision on 3 inputs. Complementary outputs have 10 units fanout.			
		SL-19	180.
AND 8 Pack, eight 4 input AND functions each having 10 units fanout			
		SL-39	170.
Flip-Flop MEMORY 6 Pack, six memory functions with common off-return			
		SL-40	160.
Each memory has 2 set and 2 reset inputs and complementary outputs with 10 units fanout			

CLASS 8854 PLUG-IN NORPAK DEVICES		Type	Price
Extender Pack — Provides access to logic module socket connections from front side of module mounting rack for test purposes			
		SL-16	\$120.
Miscellaneous Component Pack — Provides 20 pairs of terminals on circuit board for mounting resistors, capacitor, etc.			
		SL-31	100.
Interconnection Pack — Provides 40 six foot leads of 20 gauge wire for "off-frame" wiring			
		SL-32	170.
Flat Cable Interconnection Pack without ribbon cables. Use with maximum of 4 Type SR-19 ribbon cables for connections between logic frames, to I/O housing or to other "off-frame" accessories			
		SL-37	130.

SOCKETS AND FRAMES

The use of sockets permits plug-in logic packs to be installed and removed without disturbing wiring. The Square D exclusive socket surround provides large letter and number identification of the pins for ease of wiring. A large marking area is available for identification, and keying pin locations are provided.

Each frame accepts up to 16 sockets. They are of swing out construction to provide access to the back plane wiring. Two configurations are available for panel mounting, and for rack mounting in standard EIA 19" wide racks. Frames can be stacked up to 8 units high.



Class 8854 Type SR
Logic Frame and Socket Assembly

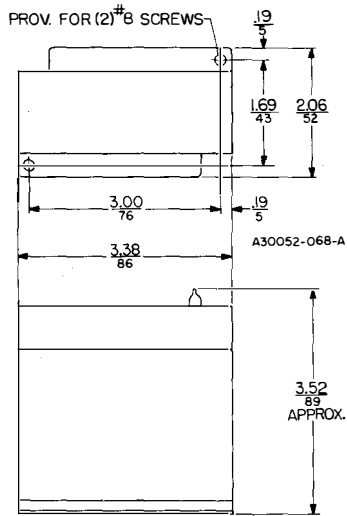
Racks	Class 8854	Type	Price
Logic Module Frame — Hinged, 19" Width, Holds 16 Sockets		SR-9	\$60.
..... for Rack Mounting			
Logic Module Frame — Hinged, 19" Width, Holds 16 Sockets		SR-10	100.
..... for Panel Mounting			
Socket Assembly for WIRE-WRAP* or TERMI-POINT wiring		SR-1	26.
With optional interlock contact which opens upon removal of plug-in pack			
for end socket positions (2 req'd. for each frame)		SR-26	40.
for between sockets (max. 14 req'd. for each frame)		SR-25	40.
Keying Pins for SR-1, SR-26 or SR-26 Sockets (pack of 50)		SR-8	20.

* WIRE-WRAP is a registered trademark of Gardner-Denver Company.

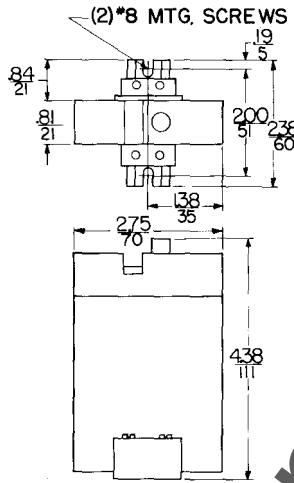


**NORPAK[®] SOLID STATE LOGIC CONTROL
INPUT DEVICES DIMENSIONS**

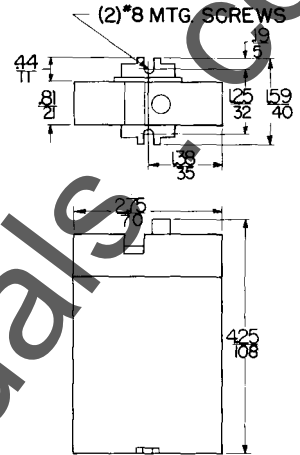
CLASS
8851



★ Class 8851
Types N-2 & N-5
Signal Converters

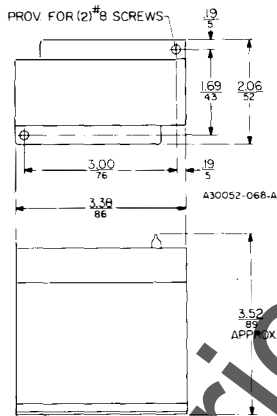


C30052-314-A
TRACK MTD.

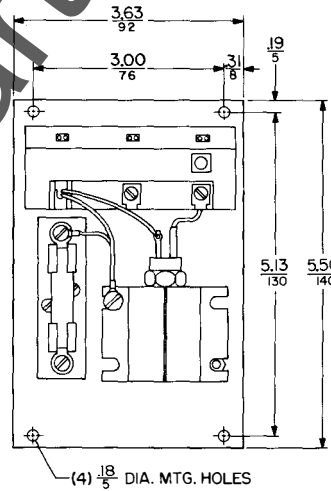


PANEL MTD.

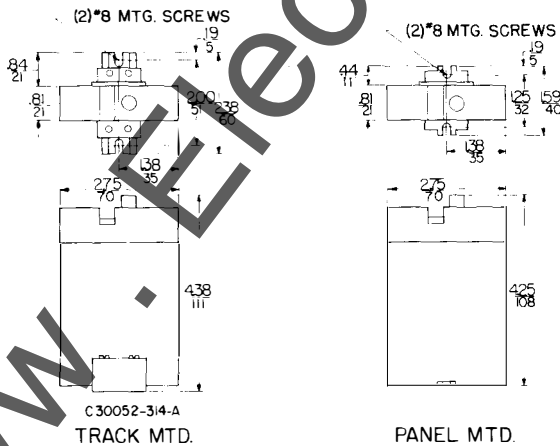
OUTPUT DEVICES DIMENSIONS



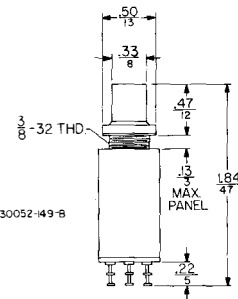
★ Class 8853 Types TO-3, TO-4 & TO-10
Output Amplifiers
Weight — 1 1/4 Lbs.



★ Class 8853 Type TO-9
Weight — 1 1/4 Lbs.



★ Class 8853 Type TO-11
Output Amplifiers
Weight — 1 1/4 Lbs.



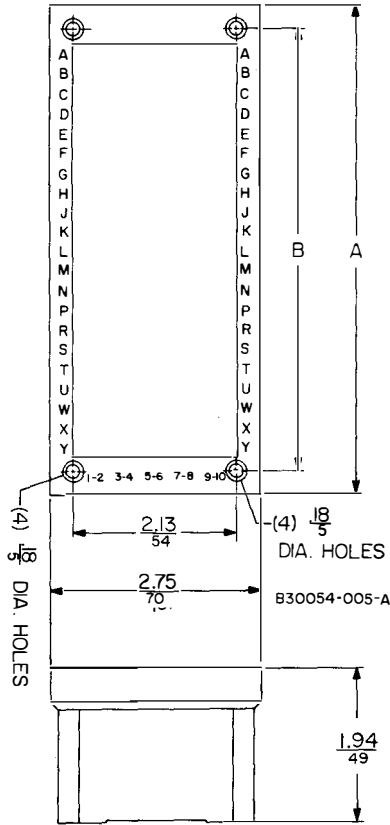
★ Class 8851 Type T-12
Transistor Driven Neon Monitor Light

★ Dual Dimensions: INCHES
Millimeters

CLASS
8851
8852

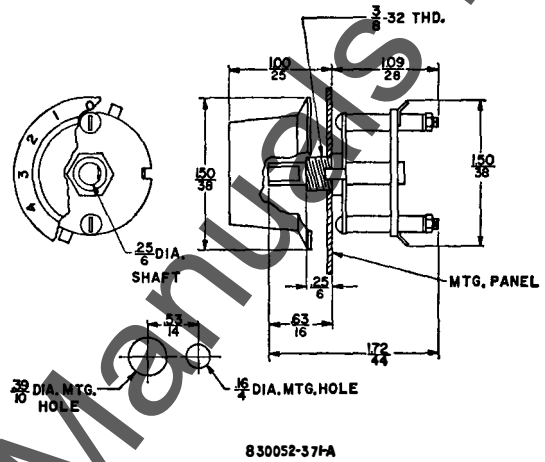
NORPAK[®] SOLID STATE LOGIC CONTROL LOGIC MODULE DIMENSIONS

JANUARY, 1983



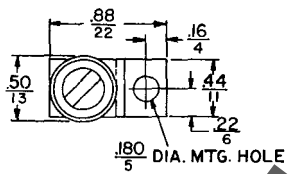
★ Class 8852
Type L-1 Block

Logic Elements	A	B	Wt. Lbs.
Class 8851, Type F-1, Class 8852, Types L-1, L-3, L-6, L-8, L-9, L-11, L-16, L-18	$\frac{2.78}{71}$	$\frac{2.16}{55}$	1/4
Class 8853, Type TO-7			
Class 8852, Types L-2, L-12, L-15, L-17, L-19, L-20, L-22	$\frac{6.38}{162}$	$\frac{5.75}{147}$	2/4
Class 8853, Type TO-8			

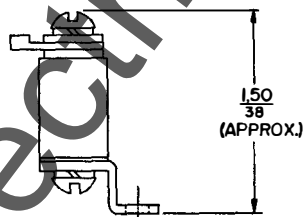


830052-37-A

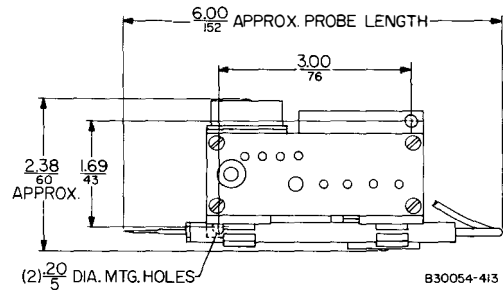
★ Class 8851
Type T-10
Rotary Selector Switch



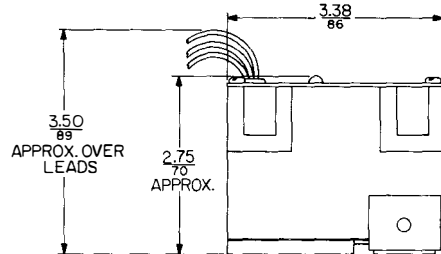
★ Class 8851
Type T-5
Stand-Off Insulator



A30052-069-A

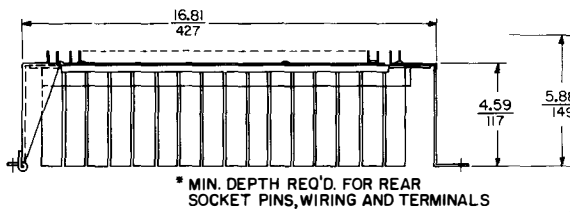
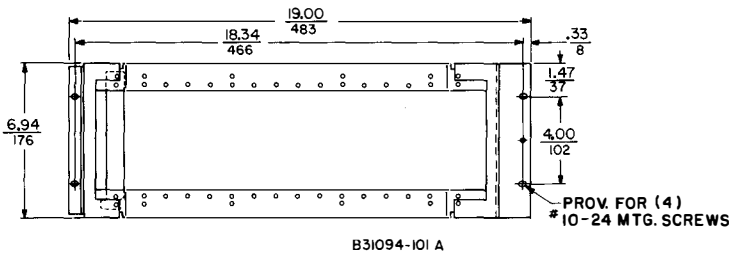


B30054-413

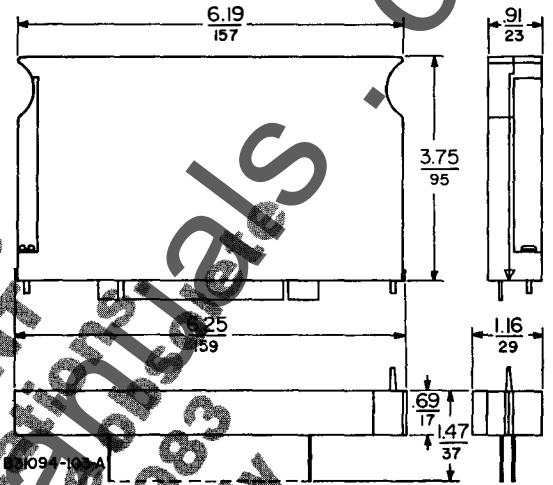


★ Class 8851
Type T-18 Probe Tester Panel Mounted or Portable

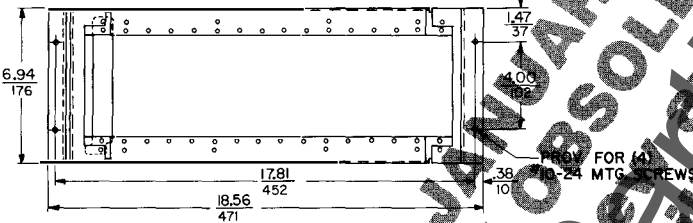
★ Dual Dimensions: INCHES
Millimeters



★ Class 8854
Type SR-9 Frame for Rack Mounting

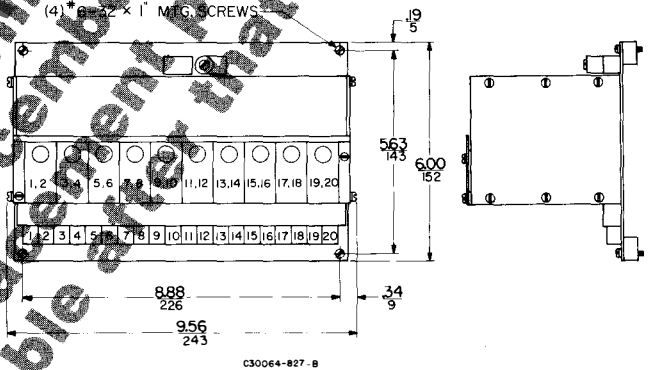


★ Class 8854
Type SR-1 Socket Assembly
and all
Type SL Input Modules



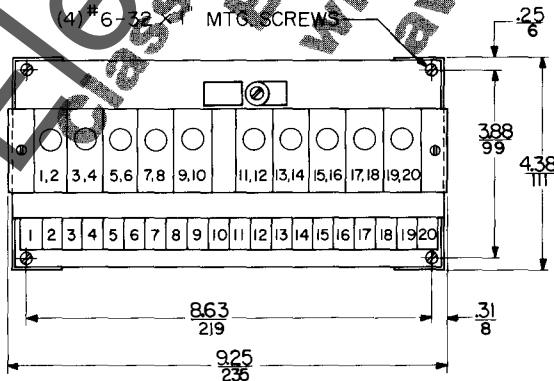
★ Class 8854
Type SR-10 Frame for Panel Mounting

OUTPUT DEVICES DIMENSIONS

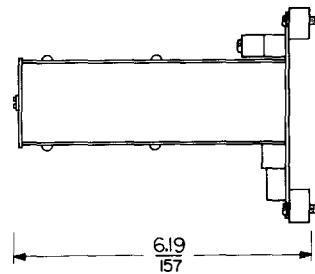


★ Class 8854 Type SA-10 Output Amplifier Housing

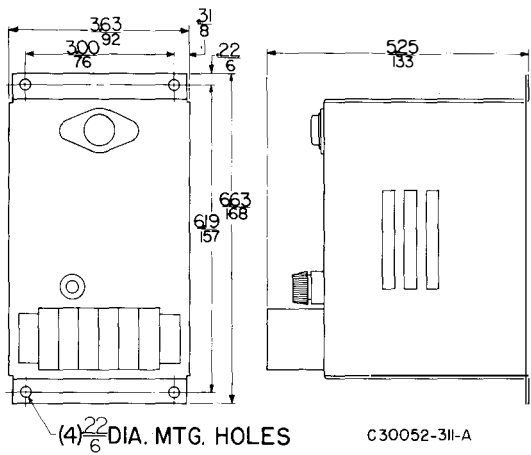
INPUT DEVICES DIMENSIONS



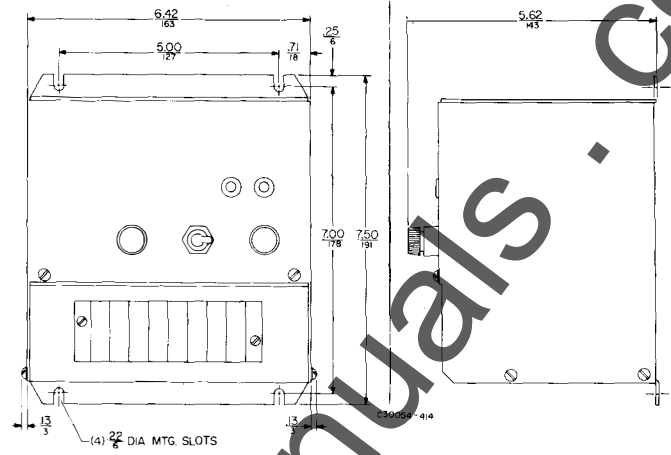
★ Class 8854
Type SC-10 Signal Converter Housing



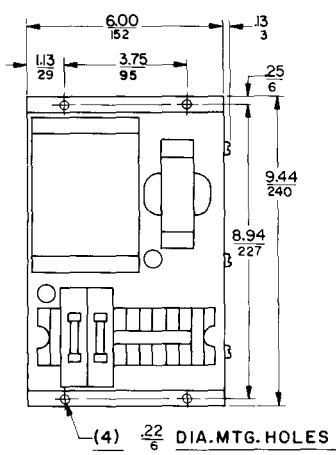
★ Dual Dimensions: **INCHES**
Millimeters



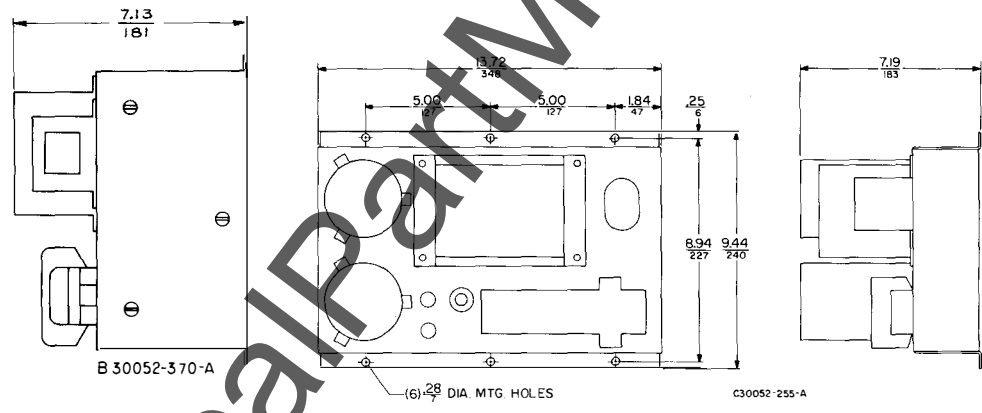
★ Class 8851 Type P-12
Main Logic Power Supply
Weight — 5 Lbs.



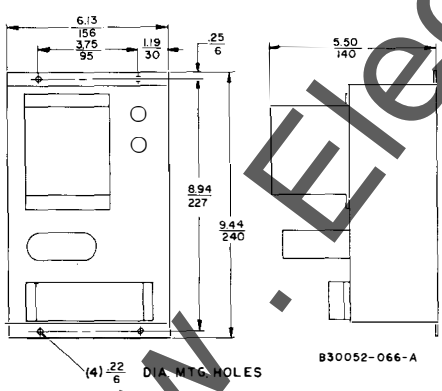
★ Class 8851 Type P-18
Main Logic Power Supply
Weight — 11 Lbs.



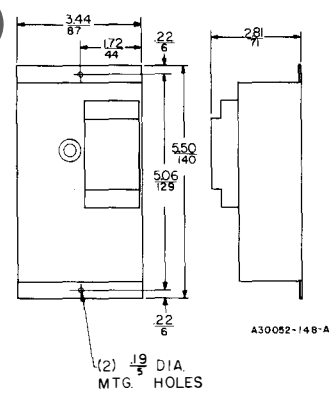
★ Class 8851 Type P-13
Main Logic Power Supply
Weight — 16½ Lbs.



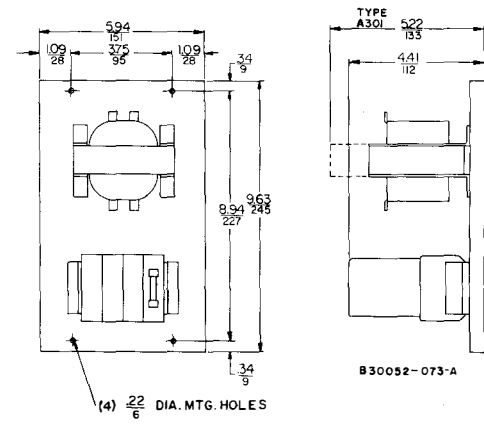
★ Class 8851 Types P-14 and P-17
Main Logic Power Supply
Weight — 40 Lbs.



★ Class 8851 Type P-1
Main Logic Power Supply
Weight — 11 Lbs.



★ Class 8851 Type P-9
Readout Tube Power Supply
Weight — 2¼ Lbs.



★ Class 8851 Type A51 and A301
Amplifier Power Supply
Weight — 21 Lbs.

★ Dual Dimensions: **INCHES**
Millimeters

www.ElectricalPartManuals.com

www.ElectricalPartManuals.com



SQUARE D COMPANY