

CLASS 300 EQUIPMENT MVC-300 ELECTRONIC MANUAL VOLTAGE CONTROL

DESCRIPTION:

The Electronic Manual Voltage Control MVC-300 is a solid-state device enclosed by a wrap-around metal chassis. The MVC-300 is for mounting through a panel with controls accessible from the front of the panel or can be mounted behind the panel. A terminal strip located on the rear of the device facilitates installation. A manual voltage adjust potentiometer and a manual-off-auto switch are provided on the front face of the unit. For use of a user-supplied external manual adjust potentiometer or for adjust by a motor operated control (MOC), order MVC-301. The MVC-300 and MVC-301 are designed to operate with Basler voltage regulators powered from 120 or 240 volt AC sources up to 320 Hz. The adjustable output of the MVC-300 supplies power to 32, 63 or 125 volt fields at 7 amps.

APPLICATION:

The Electronic Manual Voltage Control MVC-300 allows a generator's output voltage to be controlled manually by a potentiometer or automatically by a voltage regulator. It is used as a back-up system for the automatic voltage regulator. The unit can be mounted on a control panel in ground vehicles, stationary equipment or shipboard locations.

FEATURES:

- Designed to operate with all Basler voltage regulators rated at 7 amperes continuous and below
- Completely solid state
- 120-240 Vac operation
- Multiple field output ratings
- Automatic voltage build-up circuit
- Small and light for easy panel or door mounting
- CSA approved/UL recognized
- Available from stock

DESCRIPTION, FEATURES AND APPLICATIONS

this page

SPECIFICATIONS AND DIMENSIONS

page 2

INSTRUCTION MANUAL

Reference
Publication Number
9 1210 00 993

B. Basler Electric

P. O. BOX 269 HIGHLAND, ILLINOIS 62249, U.S.A. PHONE 618-654-2341 FAX 618-654-2351

SRK-4
10-93

MVC-300 RATINGS

TABLE 1.

Voltage Regulator Model	Voltage Regulator Rating	MVC Input Voltage	Voltage Selection Terminal
KR7FF, KR7FFM, SR8A, SR8F	125V @ 7A or less	240 Vac	125
SR4A, SR4F, KR4FF, KR4FFM	63V @ 7A or less	120 Vac	63
XR2001	63V @ 7A or less	240 Vac	63
KR2FF, KR2FFM	32V @ 7A or less	120 Vac	32
APR63-5	63V @ 5A or less	240 Vac	63
APR125-5	125V @ 5A or less	240 Vac	125

SPECIFICATIONS:

INPUT RATING:

Input Voltage	Output Adjustment Range
120 Vac	1 to 32 Vdc or 1 to 63 Vdc
240 Vac	1 to 63 Vdc or 1 to 125 Vdc

NOTE: Input frequency rated up to 320 Hz. ♦

WATTS DISSIPATED: 30 Watts maximum.

MINIMUM RESIDUAL VOLTAGE FOR BUILD-UP: 6 Vac.

AMBIENT OPERATING TEMPERATURE: -40°F (-40°C) to +158°F (+70°C).

STORAGE TEMPERATURE: -85°F (-65°C) to +212°F (+100°C).

SHOCK: Withstands up to 15 Gs in each of three mutually perpendicular axes.

VIBRATION: Withstands 5 to 29 Hz @ 1.5 Gs; 29 to 52 Hz @ 0.036" double amplitude; 52 to 500 Hz @ 5 Gs.

WEIGHT: 3 lbs. (1.360 Kg) Net, 5 lbs. (2.26 Kg) Shipping

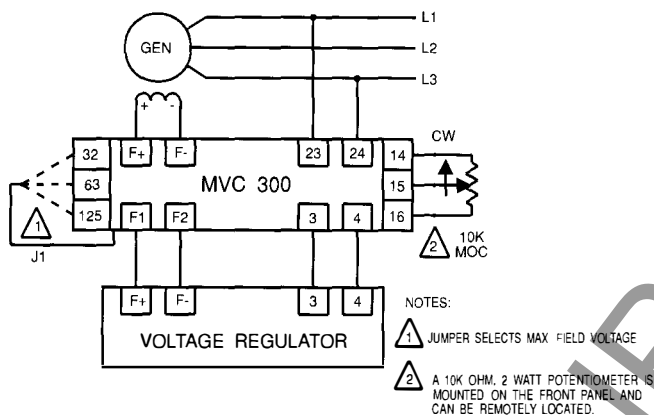
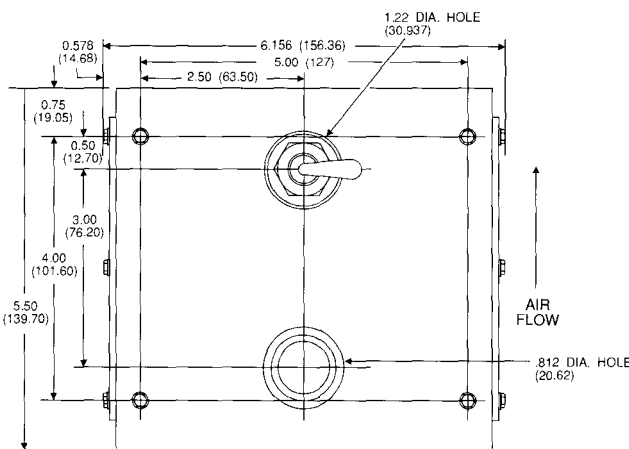
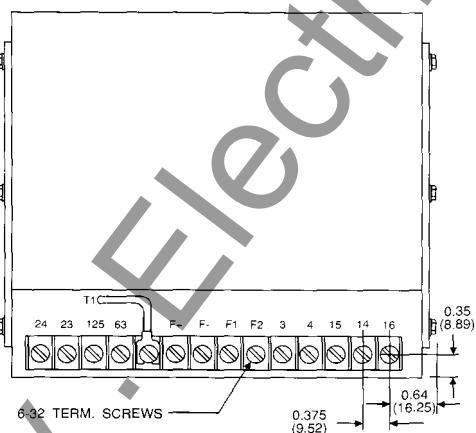
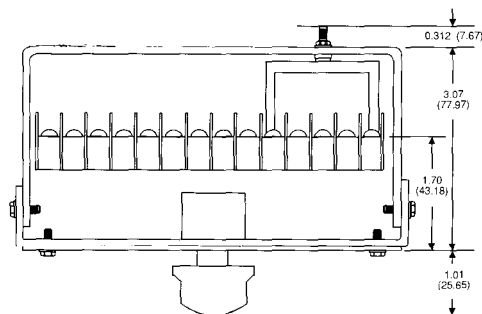


FIGURE 1
TYPICAL INTERCONNECTION DIAGRAM.



All dimensions in inches, millimeters in parentheses.

FIGURE 2 - OUTLINE DRAWING.

Basler Electric

ROUTE 143, BOX 269, HIGHLAND, ILLINOIS U.S.A. 62249
PHONE 618-654-2341 FAX 618-654-2351

P.A.E. Les Pins, 67319 Wasselonne Cedex FRANCE
PHONE (33-3-88) 87-1010 FAX (33-3-88) 87-0808

http://www.basler.com, info@basler.com

Printed in U.S.A.