

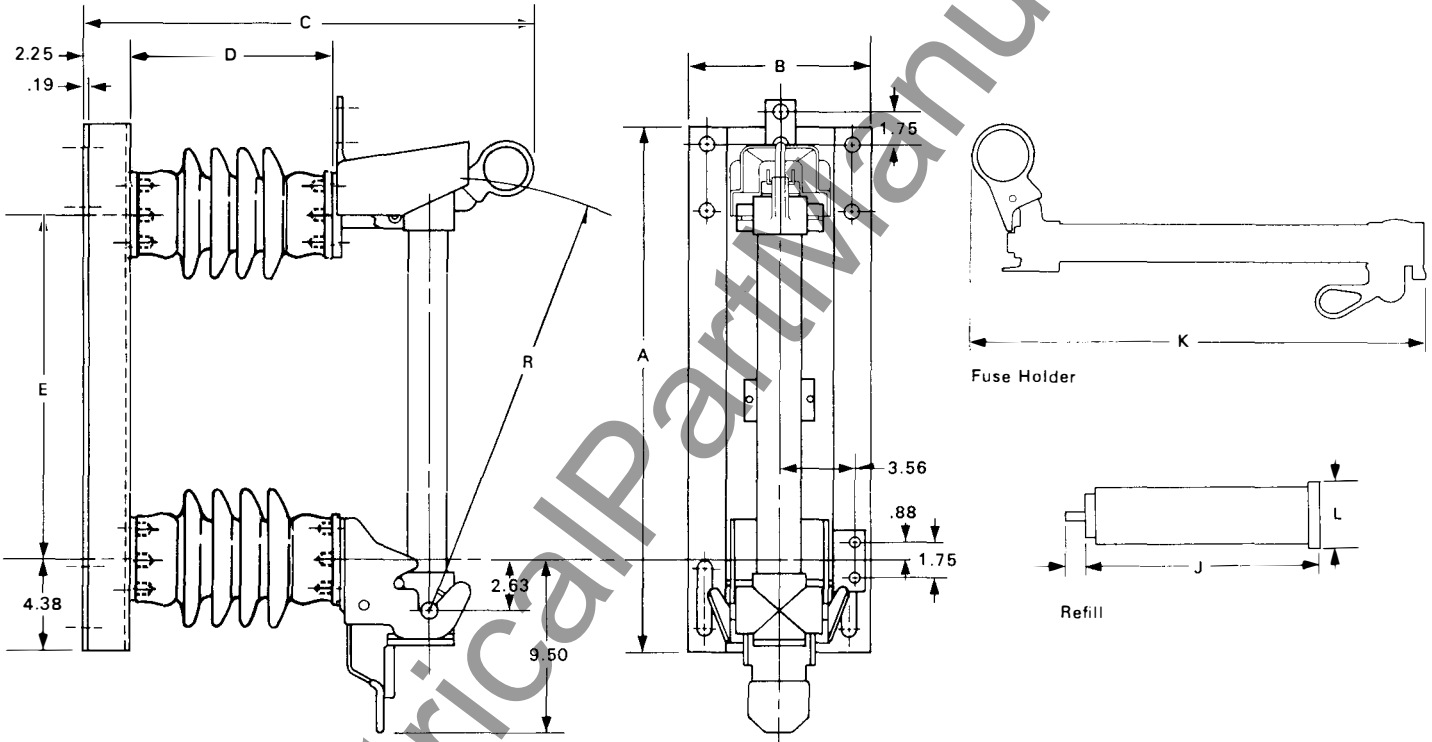


November, 1984
 Supersedes Technical Certification
 Section 36-632A, Pages 1-9,
 dated May, 1980
 Mailed to: E, D, C/36-600A

Outdoor Dropout Type
 4.8 to 34.5 kV
 200, 400, 800 Amps
 Station Post Connectors
 Front Connected

Type RDB Fuse Mountings

Type RDB 200 Mounting 4.8 kV to 34.5 kV 180° Opening



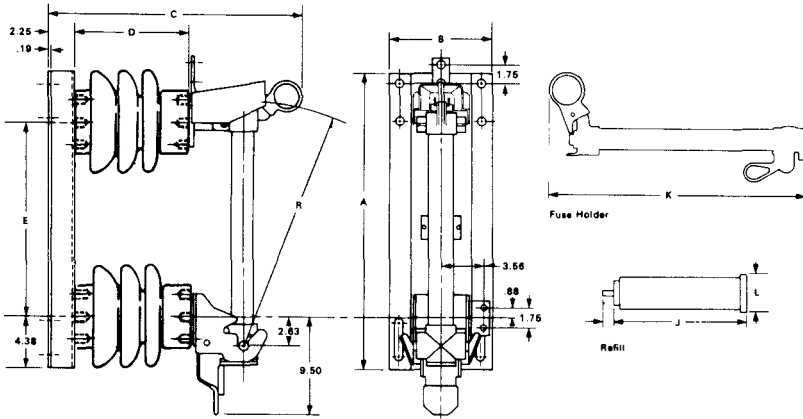
Line No.	Type of Insulator	kV	TR No.	BIL kV	Mounting Style Number	Dimensions in Inches										Recommended Phase Spacing: Inches
						A	B	C	D	E	J	K	L	R		
1	RDB	7.2	202	95	140D340G11	23.0	9.0	19.31	7.5	13.88	7.50	18.81	1.50	17.19	18.0	
2	200	14.4	205	110	140D340G12	26.0	9.0	21.81	10	17.25	8.75	22.19	1.50	20.54	24.0	
3	Station	23	208	150	140D340G13	32.0	9.0	25.81	14	21.88	10.50	26.81	1.50	25.19	30.0	
4	Post	34.5	210	200	140D340G14	38.0	9.0	29.81	18	28.88	13.12	33.81	1.50	32.19	36.0	
5	RDB	7.2	205	110	140D340G16	23.0	9.0	21.81	10	13.88	7.50	18.81	1.50	17.19	18.0	
6	200	14.4	208	150	140D340G17	26.0	9.0	25.81	14	17.25	8.75	22.19	1.50	20.55	24.0	
7	Station	23	210	200	140D340G18	32.0	9.0	29.81	18	21.88	10.50	26.81	1.50	25.19	30.0	
8	Post	34.5	214	250	140D340G19	38.0	9.0	33.81	22	28.88	13.12	33.81	1.50	32.19	36.0	

Customer _____ P.O. Number _____
 G.O. Number _____ Item Number _____
 Certified _____ Date _____



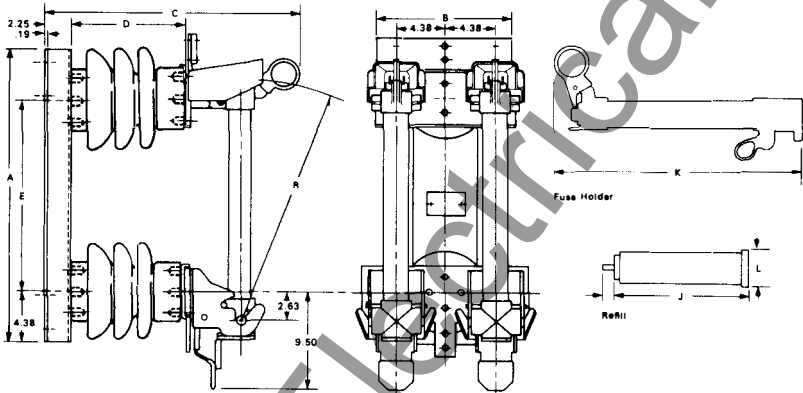
Type RDB Fuse Mountings

Type RDB 400 Mounting 4.8 kV to 34.5 kV 180° Opening



Line No.	Type of Insulator	kV	TR No.	BIL kV	Mounting Style Number	Dimensions in Inches										Recommended Phase Spacing: Inches
						A	B	C	D	E	J	K	L	R		
1	RDB	7.2	202	95	140D341G11	23.0	9.0	19.44	7.5	13.81	7.62	20.00	2.12	18.19	18.0	
2	400	14.4	205	110	140D341G12	26.0	9.0	21.94	10	17.19	8.88	23.38	2.12	22.19	24.0	
3	Station	23	208	150	140D341G13	32.0	9.0	25.94	14	21.81	11.38	28.00	2.12	26.19	30.0	
4	Post	34.5	210	200	140D341G14	38.0	9.0	29.94	18	28.81	13.62	35.00	2.12	33.19	36.0	
5	RDB	7.2	205	110	140D341G16	23.0	9.0	21.94	10	13.81	7.62	20.00	2.12	18.19	18.0	
6	400	14.4	208	150	140D341G17	26.0	9.0	25.94	14	17.19	8.88	23.38	2.12	22.19	24.0	
7	Station	23	210	200	140D341G18	32.0	9.0	29.94	18	21.81	11.38	28.00	2.12	26.19	30.0	
8	Post	34.5	214	250	140D341G19	38.0	9.0	33.94	22	28.81	13.62	35.00	2.12	33.19	36.0	

Type RDB 800 Mounting 4.8 kV to 34.5 kV 180° Opening



Line No.	Type of Insulator	kV	TR No.	BIL kV	Mounting Style Number	Dimensions in Inches										Recommended Phase Spacing: Inches
						A	B	C	D	E	J	K	L	R		
1	RDB	7.2	202	95	140D342G11	23.0	10.38	19.56	7.5	13.81	7.62	20.00	2.12	18.19	26.76	
2	800	14.4	205	110	140D342G12	26.0	10.38	22.06	10	17.19	8.88	23.38	2.12	22.19	32.76	
3	Station	23	208	150	140D342G13	32.0	10.38	26.06	14	21.81	11.38	28.00	2.12	26.19	38.76	
4	Post	34.5	210	200	140D342G14	38.0	10.38	30.06	18	28.81	13.62	35.00	2.12	33.19	44.76	
5	RDB	7.2	205	110	140D342G16	23.0	10.38	22.06	10	13.81	7.62	20.00	2.12	18.19	26.76	
6	800	14.4	208	150	140D342G17	26.0	10.38	26.06	14	17.19	8.88	23.38	2.12	22.19	32.76	
7	Station	23	210	200	140D342G18	32.0	10.38	30.06	18	21.81	11.38	28.00	2.12	26.19	38.76	
8	Post	34.5	214	250	140D342G19	38.0	10.38	34.06	22	28.81	13.62	35.00	2.12	33.19	44.76	

Customer _____ P.O. Number _____
 G.O. Number _____ Item Number _____
 Certified _____ Date _____

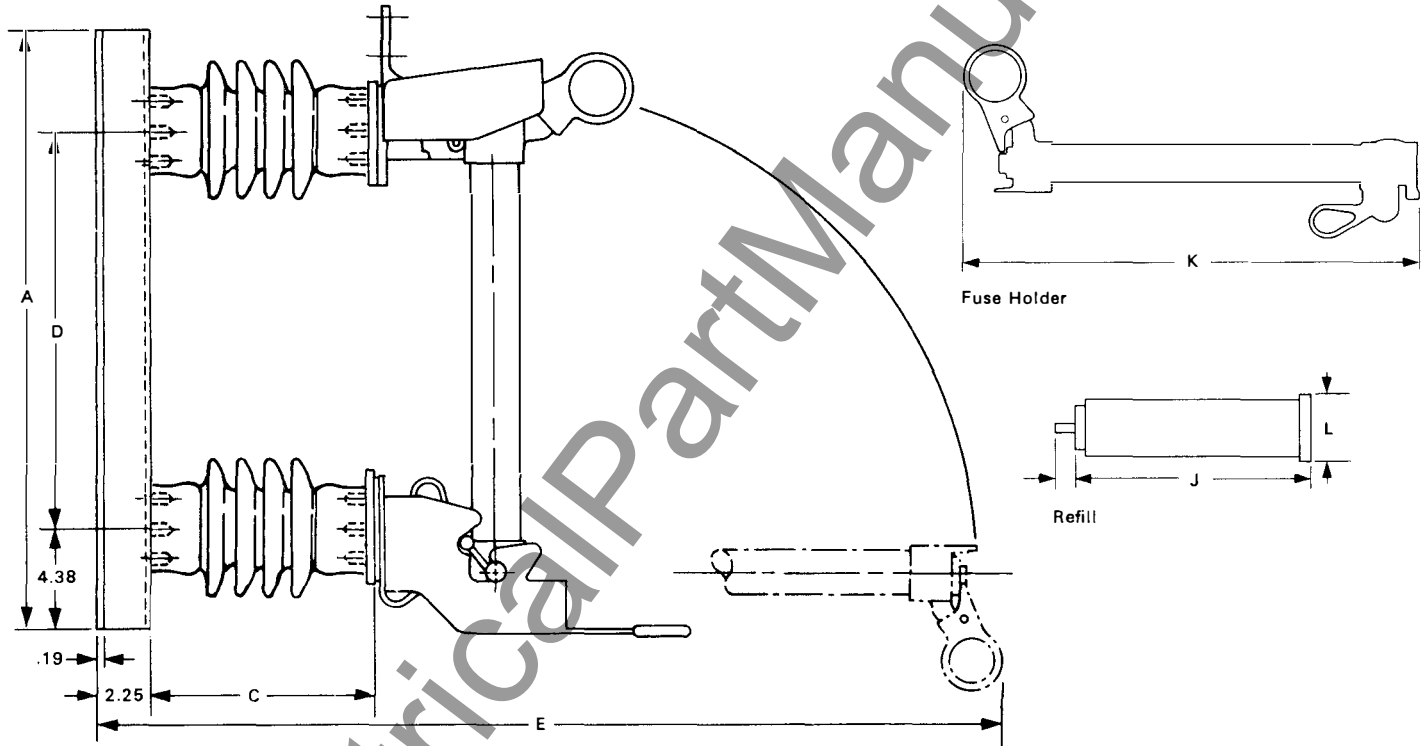


November, 1984
 Supersedes Technical Certification
 Section 36-632A, Pages 1-9,
 dated May, 1980
 Mailed to: E, D, C/36-600A

Outdoor Dropout Type
 200, 400, 800 Amps
 Station Post Insulators
 Front Connected
 Underhung Design

Type RDB Fuse Mountings

Type RDB 200 Mounting 4.8 kV to 34.5 kV 90° Opening (Underhung)



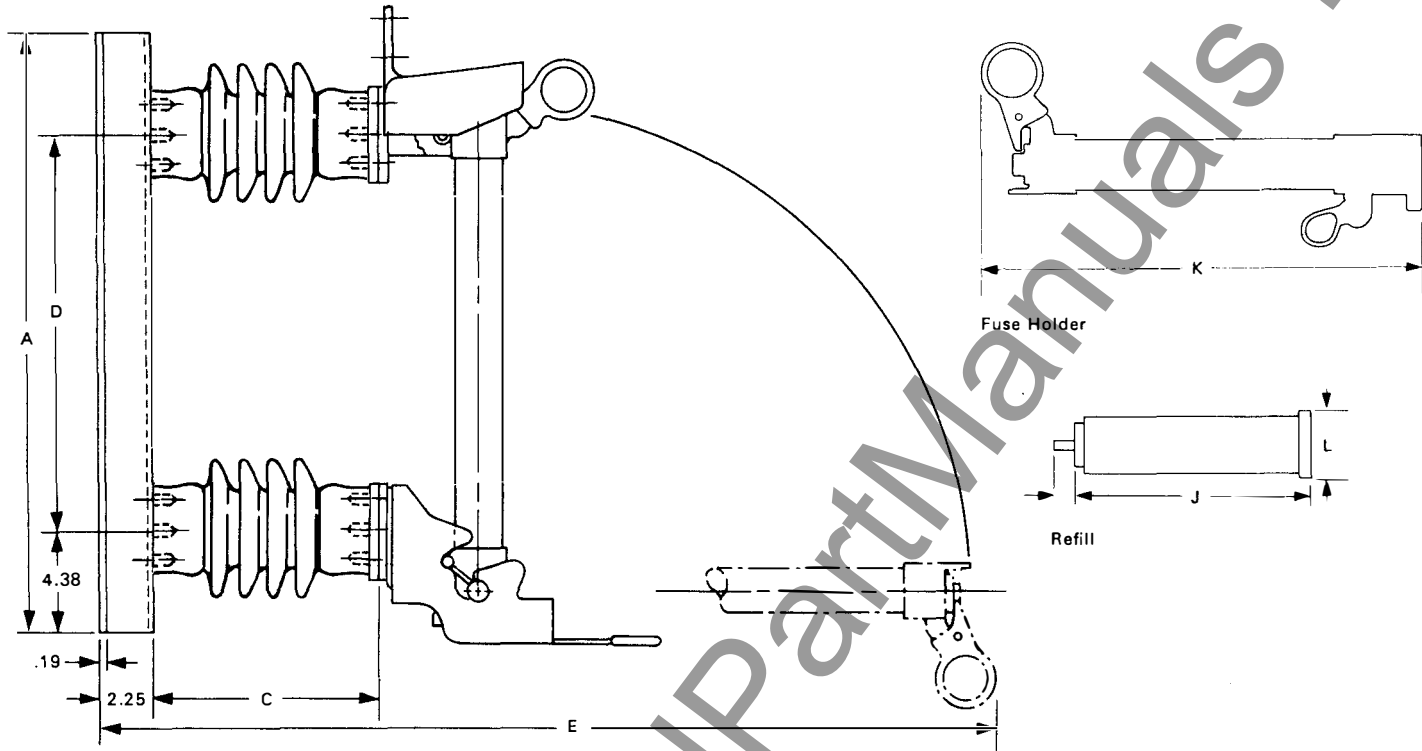
Line No.	Type of Insulator	kV	TR No.	BIL kV	Mounting Style Number	Dimensions in Inches						Recommended Phase Spacing: Inches	
						A	C	D	E	J	K		L
1	RDB	7.2	202	95	140D349G11	23.0	7.5	13.88	33.50	7.50	18.81	2.12	18.0
2	200	14.4	205	110	140D349G12	26.0	10.0	17.25	39.38	8.75	22.19	2.12	24.0
3	Station	23	208	150	140D349G13	32.0	14.0	21.88	48.00	10.50	26.81	2.12	30.0
4	Post	34.5	210	200	140D349G14	38.0	18.0	28.88	59.00	13.12	33.81	2.12	36.0
5	RDB	7.2	205	110	140D349G16	23.0	10.0	13.88	36.00	7.50	18.81	2.12	18.0
6	200	14.4	208	150	140D349G17	26.0	14.0	17.25	43.38	8.75	22.19	2.12	24.0
7	Station	23	210	200	140D349G18	32.0	18.0	21.88	52.00	10.50	26.81	2.12	30.0
8	Post	34.5	214	250	140D349G19	38.0	22.0	28.88	63.00	13.12	33.81	2.12	36.0

Customer _____ P.O. Number _____
 G.O. Number _____ Item Number _____
 Certified _____ Date _____



Type RDB Fuse Mountings

Type RDB 400 Mounting 4.8 kV to 34.5 kV 90° Opening (Underhung)



Line No.	Type of Insulator	kV	TR No.	BIL kV	Mounting Style Number	Dimensions in Inches							Recommended Phase Spacing: Inches
						A	C	D	E	J	K	L	
1	RDB	7.2	202	95	140D346G11	23.0	7.5	13.81	33.62	7.62	20.00	2.12	18.0
2	400	14.4	205	110	140D346G12	26.0	10.0	17.19	39.50	8.88	23.38	2.12	24.0
3	Station	23	208	150	140D346G13	32.0	14.0	21.81	48.12	11.38	28.00	2.12	30.0
4	Post	34.5	210	200	140D346G14	38.0	18.0	28.81	59.12	13.62	35.00	2.12	36.0
5	RDB	7.2	205	110	140D346G16	23.0	10.0	13.81	36.12	7.62	20.00	2.12	18.0
6	400	14.4	208	150	140D346G17	26.0	14.0	17.19	43.50	8.88	23.38	2.12	24.0
7	Station	23	210	200	140D346G18	32.0	18.0	21.81	52.12	11.38	28.00	2.12	30.0
8	Post	34.5	214	250	140D346G19	38.0	22.0	28.81	63.12	13.62	35.00	2.12	36.0

Customer _____ P.O. Number _____
 G.O. Number _____ Item Number _____
 Certified _____ Date _____

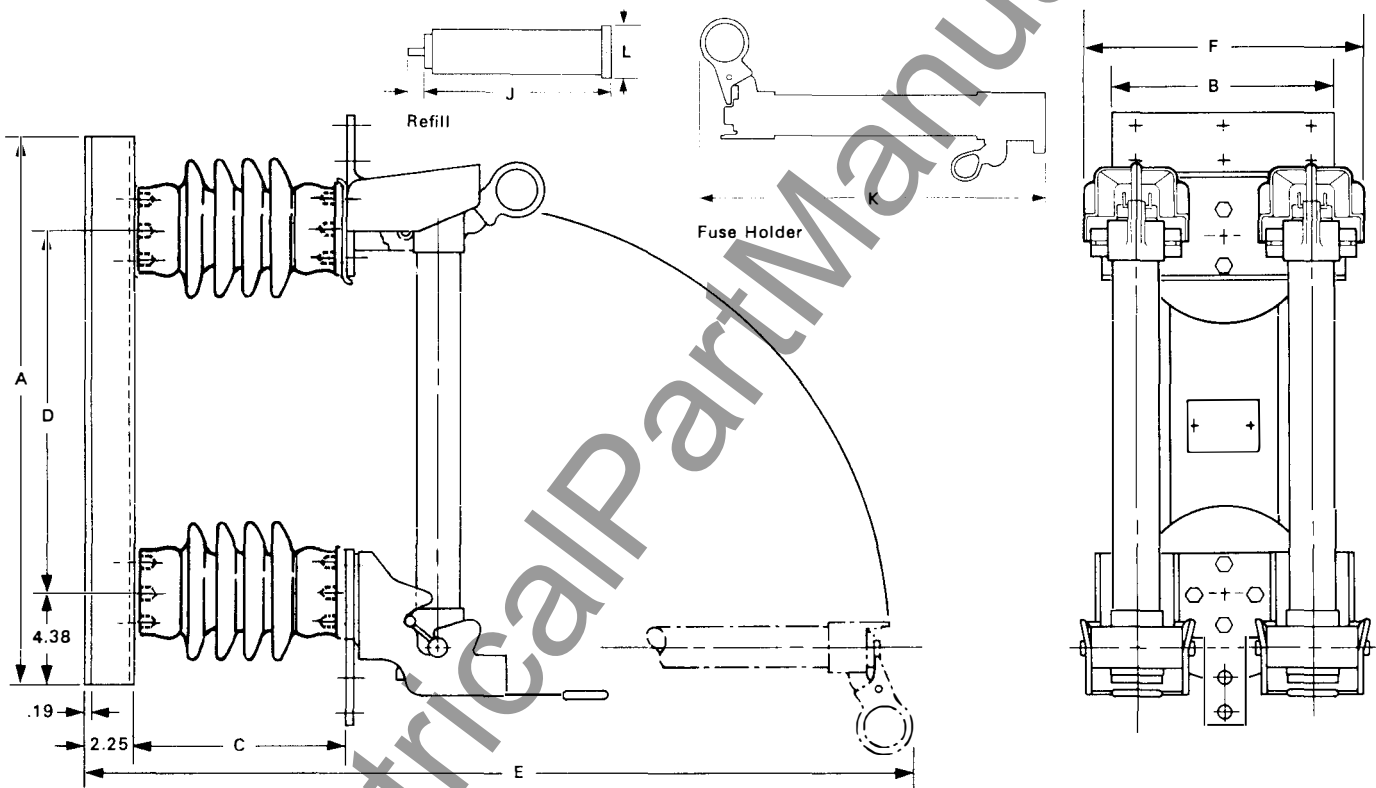


November, 1984
 Supersedes Technical Certification
 Section 36-632A, Pages 1-9,
 dated May, 1980
 Mailed to: E, D, C/36-600A

Outdoor Dropout Type
 4.8 to 34.5 kV
 200, 400, 800 Amps
 Station Post Insulators
 Front Connected
 Underhung Design

Type RDB Fuse Mountings

Type RDB 800 Mounting 4.8 kV to 34.5 kV 90° Opening (Underhung)



Line No.	Type of Insulator	kV	TR No.	BIL kV	Mounting Style Number	Dimensions in Inches							Recommended Phase Spacing: Inches		
						A	B	C	D	E	F	J		K	L
1	RDB	7.2	202	95	140D354G11	23.0	10.38	7.5	13.81	33.81	13.76	7.62	20.00	2.12	26.76
2	800	14.4	205	110	140D354G12	26.0	10.38	10.0	17.19	39.69	13.76	8.88	23.38	2.12	32.76
3	Station	23	208	150	140D354G13	32.0	10.38	14.0	21.81	48.31	13.76	11.38	28.00	2.12	38.76
4	Post	34.5	210	200	140D354G14	38.0	14.38	18.0	28.81	59.31	13.76	13.62	35.00	2.12	44.76
5	RDB	7.2	205	110	140D354G16	23.0	10.38	10.0	13.81	36.31	13.76	7.62	20.00	2.12	26.76
6	800	14.4	208	110	140D354G17	26.0	10.38	14.0	17.19	43.69	13.76	8.88	23.38	2.12	32.76
7	Station	23	210	150	140D354G18	32.0	14.38	18.0	21.81	52.31	13.76	11.38	28.00	2.12	38.76
8	Post	34.5	214	250	140D354G19	38.0	10.38	22.0	28.81	63.31	13.76	13.62	35.00	2.12	44.76

Customer _____
 G.O. Number _____
 Certified _____

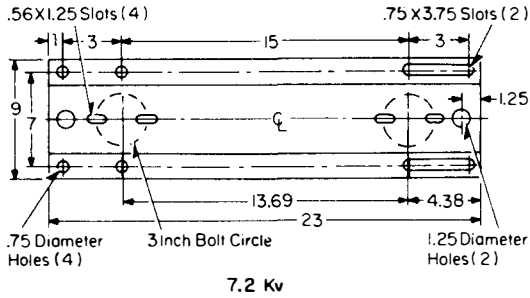
P.O. Number _____
 Item Number _____
 Date _____



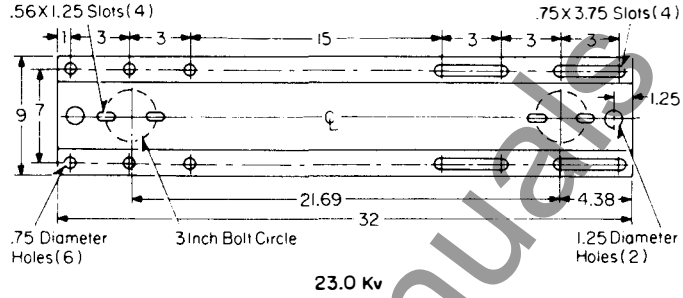
www.westinghouse.com

Type RDB Fuse Mountings

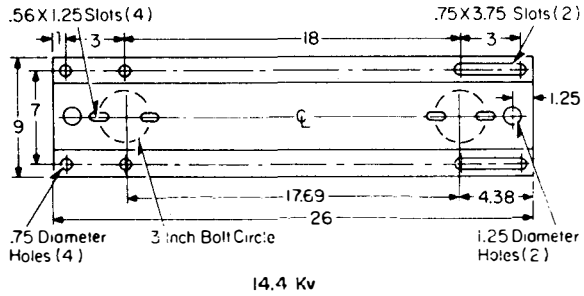
Type RDB 200, RDB 400 and RDB 800 Mounting Bases 4.8 kV to 34.5 kV



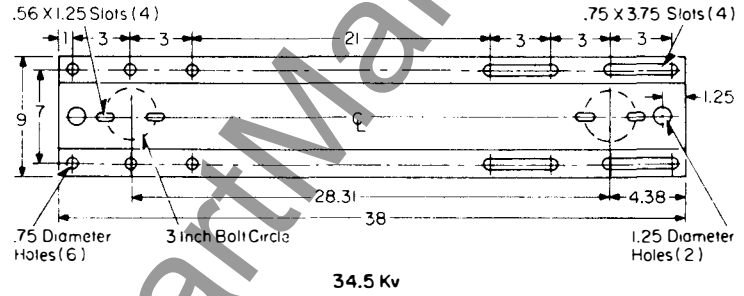
7.2 Kv



23.0 Kv



14.4 Kv



34.5 Kv

Customer _____

P.O. Number _____

G.O. Number _____

Item Number _____

Certified _____

Date _____

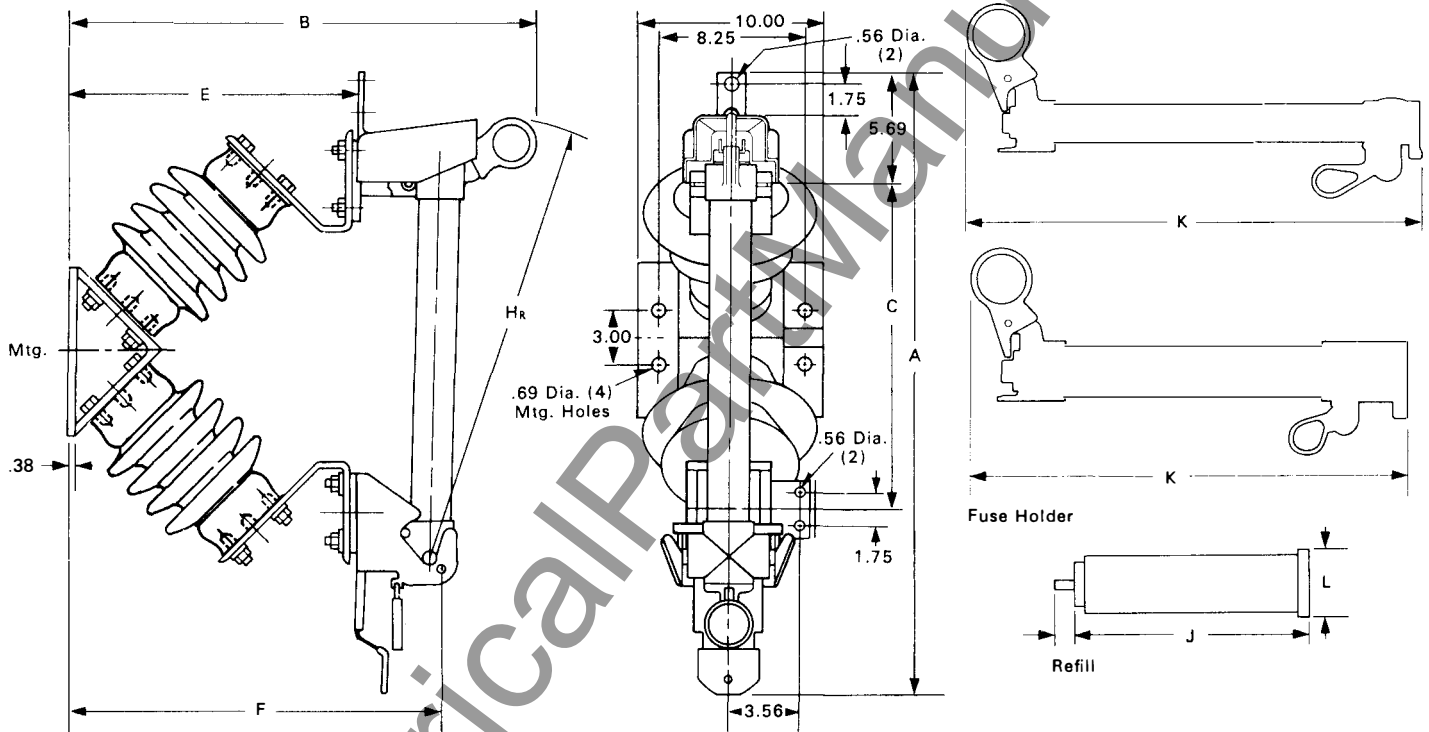


November, 1984
 Supersedes Technical Certification
 Section 36-632A, Pages 1-9,
 dated May, 1980
 Mailed to: E, D, C/36-600A

Outdoor Dropout Type
 4.8 to 34.5 kV
 200, 400, 800 Amps
 Station Post Insulators
 Front Connected

Type RDB Fuse Mountings

Type RDB 200 and RDB 400 Mounting 45° 4.8 kV to 34.5 kV 180° Opening



Line No.	Type of Insulator	kV	TR No.	BIL kV	Mounting Style Number	Dimensions in Inches								Recommended Phase Spacing: Inches	
						A	B	C	E	F	Hr	J	K		L
1	RDB	7.2	4	95	151D871G06	27.31	22.38	13.88	12.69	17.25	19.50	7.50	18.81	1.50	18.0
2	200	14.4	7	110	151D871G07	30.69	24.38	17.25	14.69	19.25	22.88	8.75	22.19	1.50	24.0
3	Station	23	10	150	151D871G08	35.31	27.81	21.88	18.12	22.68	27.50	10.50	26.81	1.50	30.0
4	Post	34.5	13	200	151D871G09	42.31	29.94	28.88	20.25	24.81	34.50	13.12	33.81	1.50	36.0
5	RDB	7.2	205	95	151D871G16	29.00	22.44	13.81	12.69	17.18	20.50	7.62	20.00	2.12	18.0
6	400	14.4	208	110	151D871G17	32.37	24.44	17.19	14.69	19.19	23.88	8.88	23.38	2.12	24.0
7	Station	23	210	150	151D871G18	37.00	27.87	21.81	18.12	22.62	28.50	11.38	28.00	2.12	30.0
8	Post	34.5	214	200	151D871G19	44.00	30.00	28.81	20.25	24.73	35.50	13.62	35.00	2.12	36.0

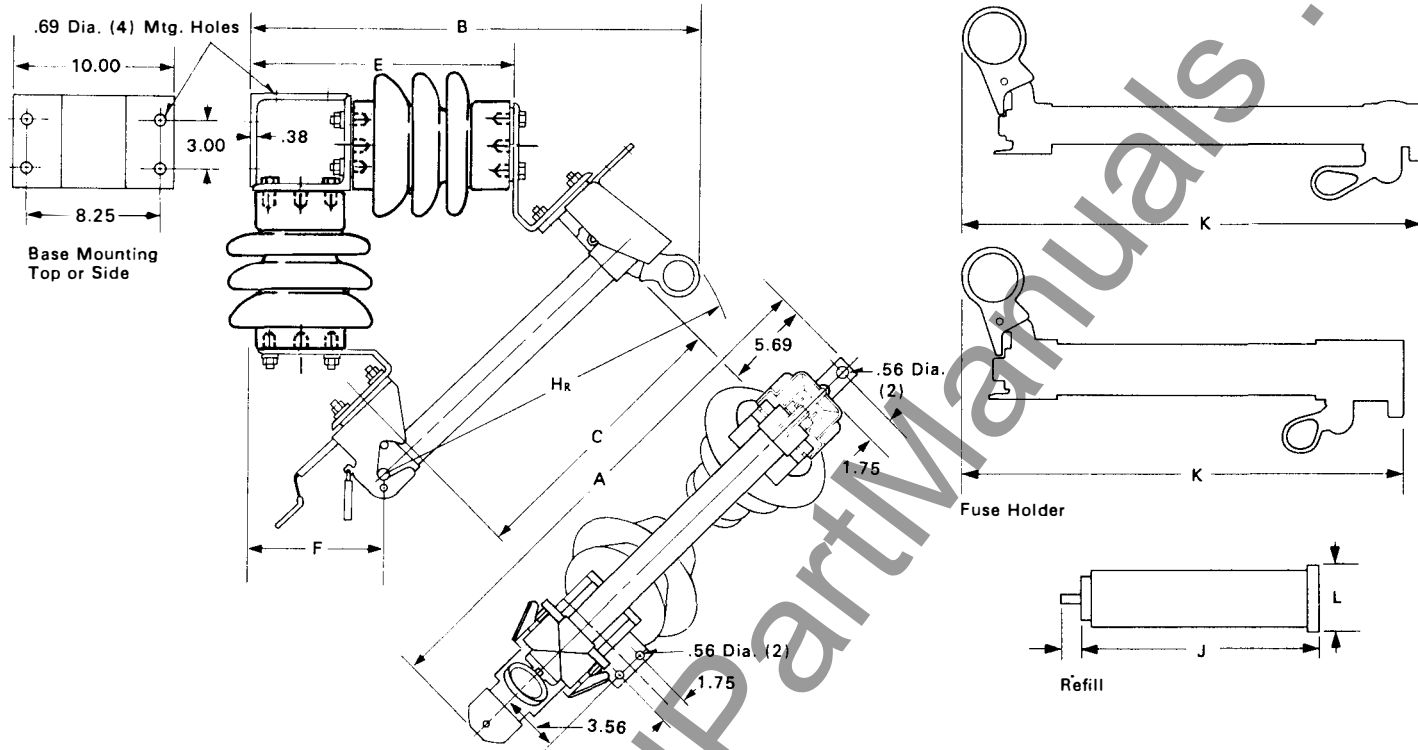
Customer _____ P.O. Number _____
 G.O. Number _____ Item Number _____
 Certified _____ Date _____

WWW.ElectricalPortal.com



Type RDB Fuse Mountings

Type RDB 200 and RDB 400 Mounting 90° 4.8 kV to 34.5 kV 135° Opening



Line No.	Type of Insulator	kV	TR No.	BIL kV	Mounting Style Number	Dimensions in Inches								Recommended Phase Spacing: Inches	
						A	B	C	E	F	H _r	J	K		L
1	RDB	7.2	4	95	151D872G06	27.31	24.94	13.88	13.68	6.00	19.50	7.50	18.81	1.50	18.0
2	200	14.4	7	110	151D872G07	30.69	34.73	17.25	16.18	6.12	22.88	8.75	22.19	1.50	24.0
3	Station	23	10	150	151D872G08	35.31	31.62	21.88	20.13	6.87	27.50	10.50	26.81	1.50	30.0
4	Post	34.5	13	200	151D872G09	42.31	35.43	28.88	24.18	6.00	34.50	13.12	33.81	1.50	36.0
5	RDB	7.2	205	95	151D872G16	29.00	24.94	13.81	13.68	5.12	20.50	7.62	20.00	2.12	18.0
6	400	14.4	208	110	151D872G17	32.37	27.44	17.19	16.18	5.25	23.88	8.88	23.38	2.12	24.0
7	Station	23	210	150	151D872G18	37.00	31.62	21.81	20.18	6.00	28.50	11.38	28.00	2.12	30.0
8	Post	34.5	214	200	151D872G19	44.00	35.43	28.81	24.18	5.12	35.50	13.62	35.00	2.12	36.0

Customer _____ P.O. Number _____

G.O. Number _____ Item Number _____

Certified _____ Date _____

Westinghouse Electric Corporation
 Distribution and Protection Business Unit
 Commercial Division - Components
 Sumter, SC 29150