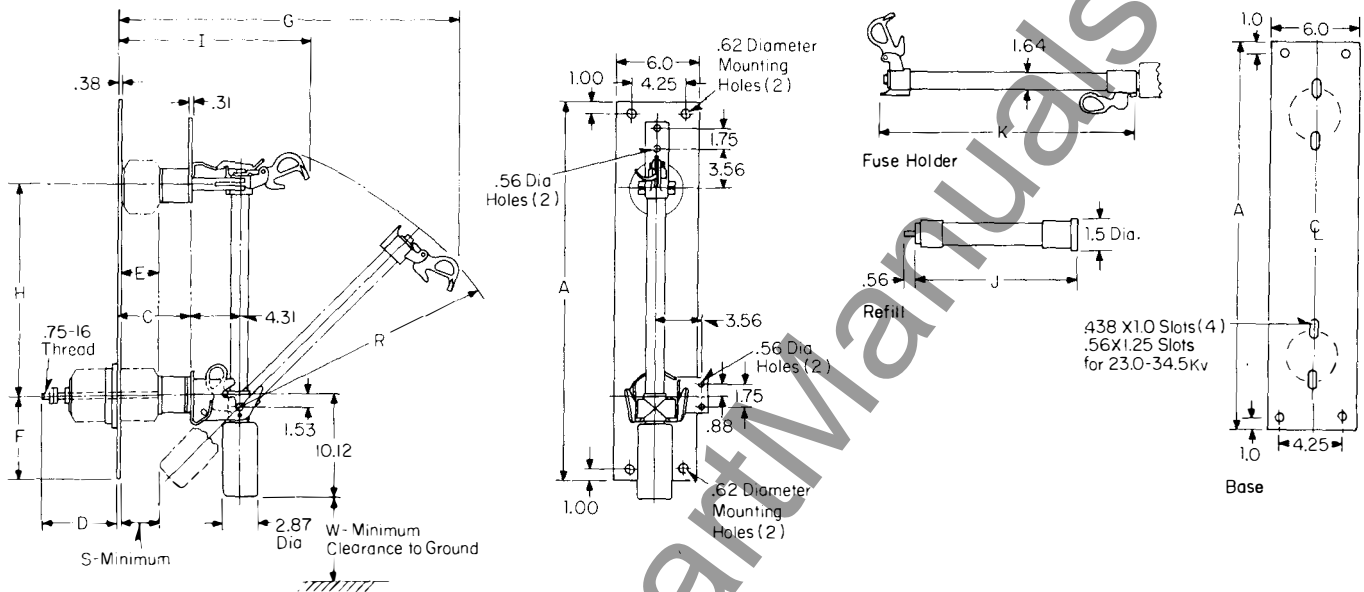


Westinghouse



RBA Indoor Power Fuses

Indoor Disconnect Mounting Type RBA-200, 4.8 Kv to 34.5 Kv, 45° Opening



Line No.	Type of Mounting ①	Kv	BIL Kv	Mounting Style Number	Dimensions In Inches																	Recommended Phase Spacing: Inches ②	Fuse Holder Style Number
					A	B	C	D	E	F	G	H	I	J ③	K ③	R	S	W With Con- denser Filter	W With Dis- charge Filter				
1	BTFC	4.8	60	438D726G01	29.0	...	5.72	...	3.5	7.38	25.41	14.25	14.53	7.5	18.81	18.69	2.5	3.0	7.5	11.5	309C558G01		
2		7.2	75	438D726G05	29.0	...	6.72	...	4.5	7.38	25.41	14.25	15.53	7.5	18.81	18.69	3.5	4.0	8.5	13.0	309C558G01		
3		13.8	95	438D726G09	32.0	...	8.72	...	6.0	7.19	30.84	17.62	17.53	8.75	22.19	22.06	5.5	6.0	11.5	14.5	309C558G02		
4		14.4	110	438D726G13	32.0	...	8.72	...	7.5	7.19	30.84	17.62	17.53	8.75	22.19	22.06	5.5	6.0	11.5	16.0	309C558G02		
5		23.0	150	438D726G17	38.5	...	11.72	...	10.5	8.12	37.41	22.25	20.53	10.50	26.81	26.69	8.62	8.5	④	20.0	309C558G03		
6		34.5	200	438D726G18	45.5	...	15.69	...	15.0	8.12	46.31	29.25	24.50	13.12	33.81	33.69	12.62	12.0	④	25.0	309C558G04		
7	BFHR	4.8	60	438D726G02	29.0	...	5.72	8.25	3.5	7.38	25.41	14.25	14.53	7.5	18.81	18.69	2.5	3.0	7.5	9.75	309C558G01		
8		7.2	75	438D726G06	29.0	...	6.72	9.31	4.5	7.38	25.41	14.25	15.53	7.5	18.81	18.69	3.5	4.0	8.5	11.25	309C558G01		
9		13.8	95	438D726G10	32.0	...	8.72	11.06	6.0	7.19	30.84	17.62	17.53	8.75	22.19	22.06	5.5	6.0	11.5	12.75	309C558G02		
10		14.4	110	438D726G14	32.0	...	8.72	12.69	7.5	7.19	30.84	17.62	17.53	8.75	22.19	22.06	5.5	6.0	11.5	14.25	309C558G02		
11	BRHF	4.8	60	438D726G03	29.0	...	5.72	8.25	3.5	7.38	25.41	14.25	14.53	7.5	18.81	18.69	2.5	3.0	7.5	11.5	309C558G01		
12		7.2	75	438D726G07	29.0	...	6.72	9.31	4.5	7.38	25.41	14.25	15.53	7.5	18.81	18.69	3.5	4.0	8.5	13.0	309C558G01		
13		13.8	95	438D726G11	32.0	...	8.72	11.06	6.0	7.19	30.84	17.62	17.53	8.75	22.19	22.06	5.5	6.0	11.5	14.5	309C558G02		
14		14.4	110	438D726G13	32.0	...	8.72	12.69	7.5	7.19	30.84	17.62	17.53	8.75	22.19	22.06	5.5	6.0	11.5	16.0	309C558G02		
15	BTRC	4.8	60	438D726G04	29.0	...	5.72	8.25	3.5	7.38	25.41	14.25	14.53	7.5	18.81	18.69	2.5	3.0	7.5	9.75	309C558G01		
16		7.2	75	438D726G08	29.0	...	6.72	9.31	4.5	7.38	25.41	14.25	15.53	7.5	18.81	18.69	3.5	4.0	8.5	11.25	309C558G01		
17		13.8	95	438D726G12	32.0	...	8.72	11.06	6.0	7.19	30.84	17.62	17.53	8.75	22.19	22.06	5.5	6.0	11.5	12.75	309C558G02		
18		14.4	110	438D726G16	32.0	...	8.72	12.69	7.5	7.19	30.84	17.62	17.53	8.75	22.19	22.06	5.5	6.0	11.5	14.25	309C558G02		

① BTFC=Both terminals front connected.
 BFHR=Break terminal front connected, hinge terminal rear connected.
 BRHF=Break terminal rear connected, hinge terminal front connected.
 BTRC=Both terminals rear connected.

② Phase-to-phase centerline spacing, without barriers.
 ③ Approximate dimensions.
 ④ Refer to Power Switching Equipment Sales, East Pittsburgh.

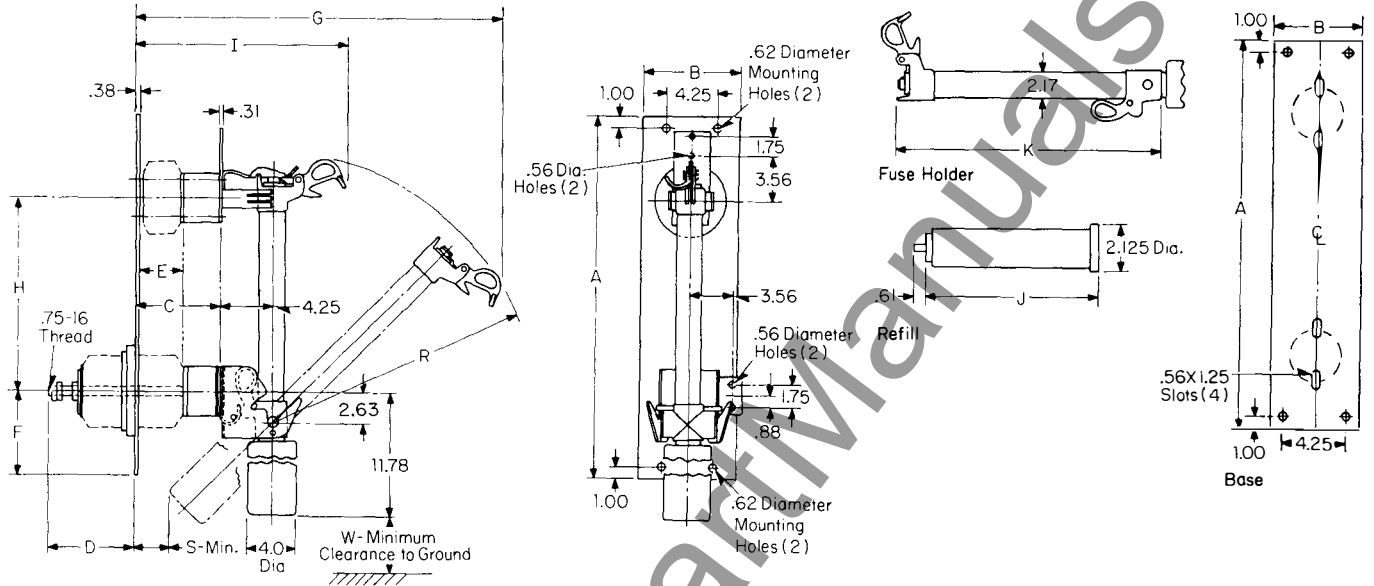
Customer _____ Address _____ G. O. _____
 P. O. Number _____ Item _____ Approval
 Apparatus _____ Reference
 Line No. _____ Certified _____ Date _____ Construction
 Other

Westinghouse



RBA Indoor Power Fuses

Indoor-Disconnect Mounting Type RBA-400, 4.8 Kv to 34.5 Kv, 45° Opening



Line No.	Type of Mounting ①	Kv	BIL Kv	Mounting Style Number	Dimensions In Inches																	Recommended Phase Spacing: Inches ②	Fuse Holder Style Number
					A	B	C	D	E	F	G	H	I	J ③	K ③	R	S	W With Con- denser With Dis- charge Filter					
1	BTFC	4.8	60	438D727G01	29.0	6.0	7.28	...	3.5	7.59	27.72	13.81	16.22	7.62	20.00	19.69	2.5	3.0	7.5	11.75	309C797G01		
2		7.2	75	438D727G05	29.0	6.0	8.28	...	4.5	7.59	28.72	13.81	17.22	7.62	20.00	19.69	3.5	4.0	8.5	13.25	309C797G01		
3		13.8	95	438D727G09	32.0	6.0	10.28	...	6.0	7.41	33.09	17.19	19.22	8.88	23.38	23.69	5.5	6.0	11.5	14.75	309C797G02		
4		14.4	110	438D727G13	32.0	6.0	10.28	...	7.5	7.41	33.09	17.19	19.22	8.88	23.38	23.69	5.5	6.0	11.5	16.25	309C797G02		
5		23.0	150	438D727G17	38.5	6.0	13.28	...	10.5	8.34	39.34	21.81	22.22	11.38	28.00	27.69	8.5	8.5	Ⓞ	20.25	309C797G03		
6		34.5	200	438D727G21	45.5	6.0	16.78	...	15.0	8.34	47.78	28.81	25.72	13.62	35.00	34.69	12.0	12.0	Ⓞ	25.25	309C797G04		
7	BFHR	4.8	60	438D727G02	29.0	8.0	7.28	8.25	3.5	7.59	27.72	13.81	16.22	7.62	20.00	19.69	2.5	3.0	7.5	10.00	309C797G01		
8		7.2	75	438D727G06	29.0	8.0	8.28	9.31	4.5	7.59	28.72	13.81	17.22	7.62	20.00	19.69	3.5	4.0	8.5	11.50	309C797G01		
9		13.8	95	438D727G10	32.0	8.0	10.28	11.06	6.0	7.41	33.09	17.19	19.22	8.88	23.38	23.69	5.5	6.0	11.5	13.00	309C797G02		
10		14.4	110	438D727G14	32.0	8.0	10.28	12.69	7.5	7.41	33.09	17.19	19.22	8.88	23.38	23.69	5.5	6.0	11.5	14.50	309C797G02		
11		23.0	150	438D727G18	38.5	8.0	13.28	15.81	10.5	8.34	39.34	21.81	22.22	13.62	28.00	27.69	8.5	8.5	Ⓞ	18.50	309C797G03		
12	BRHF	4.8	60	438D727G03	29.0	8.0	7.28	8.25	3.5	7.59	27.72	13.81	16.22	7.62	20.00	19.69	2.5	3.0	7.5	11.75	309C797G01		
13		7.2	75	438D727G07	29.0	8.0	8.28	9.31	4.5	7.59	28.72	13.81	17.22	7.62	20.00	19.69	3.5	4.0	8.5	13.25	309C797G01		
14		13.8	95	438D727G11	32.0	8.0	10.28	11.06	6.0	7.41	33.09	17.19	19.22	8.88	23.38	23.69	5.5	6.0	11.5	14.75	309C797G02		
15		14.4	110	438D727G15	32.0	8.0	10.28	12.69	7.5	7.41	33.09	17.19	19.22	8.88	23.38	23.69	5.5	6.0	11.5	16.25	309C797G02		
16		23.0	150	438D727G19	38.5	8.0	13.28	15.81	10.5	8.34	39.34	21.81	22.22	13.62	28.00	27.69	8.5	8.5	Ⓞ	20.25	309C797G03		
17	BTRC	4.8	60	438D727G04	29.0	8.0	7.28	8.25	3.5	7.59	27.72	13.81	16.22	7.62	20.00	19.69	2.5	3.0	7.5	10.00	309C797G01		
18		7.2	75	438D727G08	29.0	8.0	8.28	9.31	4.5	7.59	28.72	13.81	17.22	7.62	20.00	19.69	3.5	4.0	8.5	11.50	309C797G01		
19		13.8	95	438D727G12	32.0	8.0	10.28	11.06	6.0	7.41	33.09	17.19	19.22	8.88	23.38	23.69	5.5	6.0	11.5	13.00	309C797G02		
20		14.4	110	438D727G16	32.0	8.0	10.28	12.69	7.5	7.41	33.09	17.19	19.22	8.88	23.38	23.69	5.5	6.0	11.5	14.50	309C797G02		
21		23.0	150	438D727G20	38.5	8.0	13.28	15.81	10.5	8.34	39.34	21.81	22.22	13.62	28.00	27.69	8.5	8.5	Ⓞ	18.50	309C797G03		

- ① BTFC=Both terminals front connected.
- BFHR=Break terminal front connected, hinge terminal rear connected.
- BRHF=Break terminal rear connected, hinge terminal front connected.
- BTRC=Both terminals rear connected.
- ② Phase-to-phase centerline spacing, without barriers.
- ③ Approximate dimensions.
- ④ Refer to Power Switching Equipment Sales, East Pittsburgh.

Customer _____ Address _____ G. O. _____

P.O. Number _____ Item _____ Approval

Apparatus _____ Reference

Line No. _____ Certified _____ Date _____ Construction

Other

Westinghouse Electric Corporation
 Switchgear Division, Power Switching Equipment, East Pittsburgh, Pa.
 Printed in USA

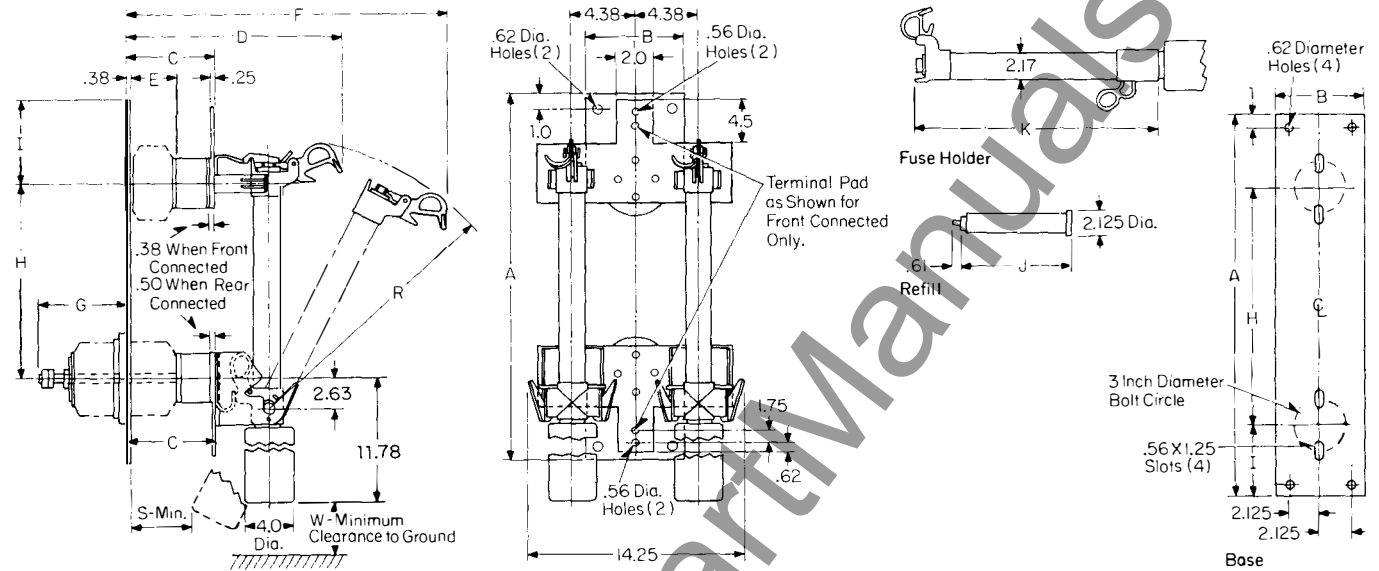
February, 1969
 New Information
 E, D/1971/DB

Westinghouse



RBA Indoor Power Fuses

Indoor Disconnect Mounting Type RBA-800, 4.8 Kv to 14.4 Kv, 45° Opening



Line No.	Type of Mounting ①	Kv	BIL Kv	Mounting Style Number	Dimensions In Inches																	Recommended Phase Spacing: Inches ②	Fuse Holder Style Number ③
					A	B	C	D	E	F	G	H	I	J ④	K ④	R	S	W With Con- denser	With Dis- charge Filter				
1	BTFC	4.8	60	449D514G01	30.5	7.0	7.31	16.25	3.5	27.69	...	13.81	8.34	7.62	20.00	19.69	3.44	3.0	7.5	18.75	309C797G01		
2		7.2	75	449D514G05	30.5	7.0	8.31	17.25	4.5	28.69	...	13.81	8.34	7.62	20.00	19.69	4.44	4.0	8.5	20.25	309C797G01		
3		13.8	95	449D514G09	34.0	7.0	10.31	19.25	6.0	35.06	...	17.19	8.41	8.88	23.38	23.69	5.44	6.0	11.5	21.75	309C797G02		
4		14.4	110	449D514G13	34.0	7.0	10.31	19.25	7.5	35.06	...	17.19	8.41	8.88	23.38	23.69	5.44	6.0	11.5	23.25	309C797G02		
5	BFHR	4.8	60	449D514G02	30.5	8.0	7.31	16.25	3.5	27.69	8.38	13.81	8.34	7.62	20.00	19.69	3.44	3.0	7.5	18.75	309C797G01		
6		7.2	75	449D514G06	30.5	8.0	8.31	17.25	4.5	28.69	9.44	13.81	8.34	7.62	20.00	19.69	4.44	4.0	8.5	20.25	309C797G01		
7		13.8	95	449D514G10	34.0	8.0	10.31	19.25	6.0	35.06	11.19	17.19	8.41	8.88	23.38	23.69	5.44	6.0	11.5	21.75	309C797G02		
8		14.4	110	449D514G14	34.0	8.0	10.31	19.25	7.5	35.06	12.81	17.19	8.41	8.88	23.38	23.69	5.44	6.0	11.5	23.25	309C797G02		
9	BRHF	4.8	60	449D514G03	30.5	8.0	7.31	16.25	3.5	27.69	8.38	13.81	8.34	7.62	20.00	19.69	3.44	3.0	7.5	18.75	309C797G01		
10		7.2	75	449D514G07	30.5	8.0	8.31	17.25	4.5	28.69	9.44	13.81	8.34	7.62	20.00	19.69	4.44	4.0	8.5	20.25	309C797G01		
11		13.8	95	449D514G11	34.0	8.0	10.31	19.25	6.0	35.06	11.19	17.19	8.41	8.88	23.38	23.69	5.44	6.0	11.5	21.75	309C797G02		
12		14.4	110	449D514G15	34.0	8.0	10.31	19.25	7.5	35.06	12.81	17.19	8.41	8.88	23.38	23.69	5.44	6.0	11.5	23.25	309C797G02		
13	BTRC	4.8	60	449D514G04	30.5	8.0	7.31	16.25	3.5	27.69	8.38	13.81	8.34	7.62	20.00	19.69	3.44	3.0	7.5	18.75	309C797G01		
14		7.2	75	449D514G08	30.5	8.0	8.31	17.25	4.5	28.69	9.44	13.81	8.34	7.62	20.00	19.69	4.44	4.0	8.5	20.25	309C797G01		
15		13.8	95	449D514G12	34.0	8.0	10.31	19.25	6.0	35.06	11.19	17.19	8.41	8.88	23.38	23.69	5.44	6.0	11.5	21.75	309C797G02		
16		14.4	110	449D514G16	34.0	8.0	10.31	19.25	7.5	35.06	12.81	17.19	8.41	8.88	23.38	23.69	5.44	6.0	11.5	23.25	309C797G02		

- ① BTFC=Both terminals front connected.
- BFHR=Break terminal front connected, hinge terminal rear connected.
- BRHF=Break terminal rear connected, hinge terminal front connected.
- BTRC=Both terminals rear connected.

② Phase-to-phase centerline spacing without barriers.

③ Requires two fuse holders for RBA-800.

④ Approximate dimensions.

Customer _____ Address _____ G. O. _____

P.O. Number _____ Item _____ Approval

Apparatus _____ Reference

Line No. _____ Certified _____ Date _____ Construction

Westinghouse Electric Corporation
Switchgear Division, Power Switching Equipment, East Pittsburgh, Pa.
Printed in USA

February, 1969
New Information
E, D/1971/DB

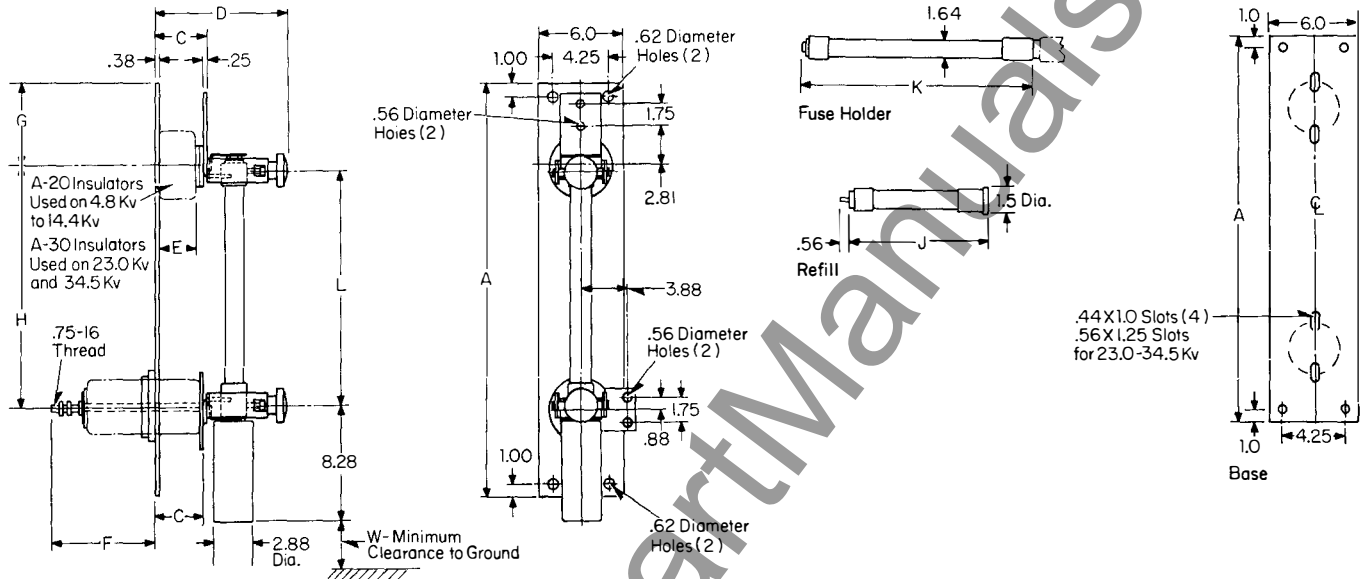
Other

Westinghouse



RBA Indoor Power Fuses

Indoor Non-Disconnect Mounting Type RBA-200, 4.8 Kv to 34.5 Kv



Line No.	Type of Mounting ①	Kv	BIL Kv	Mounting Style Number	Dimensions In Inches										W		Recommended Phase Spacing: Inches ②	Fuse Holder Style Number
					A	C	D	E	F	G	H	J ③	K ③	L	With Con- denser	With Dis- charge Filter		
1	TTFC	4.8	60	439D347G01	29.0	4.12	9.88	3.5	5.97	17.07	7.5	18.25	16.31	3.0	7.5	11.16	677C370G01	
2		7.2	75	439D347G05	29.0	4.12	10.88	4.5	5.97	17.07	7.5	18.25	16.31	4.0	8.5	12.56	677C370G01	
3		13.8	95	439D347G09	32.0	6.63	12.38	6.0	5.78	20.44	8.75	21.63	19.69	6.0	11.5	13.06	677C370G02	
4		14.4	110	439D347G13	32.0	8.12	13.88	7.5	5.78	20.44	8.75	21.63	19.69	6.0	11.5	15.56	677C370G02	
5		23.0	150	439D347G17	38.5	11.88	17.63	10.5	6.72	25.06	10.50	26.25	24.31	8.5	④	19.56	677C370G03	
6		34.5	200	439D347G21	45.5	16.38	22.13	15.0	6.72	32.06	13.12	33.25	31.31	12.0	④	24.56	677C370G4	
7	TFBR	4.8	60	439D347G02	29.0	4.69	10.44	3.5	8.22	5.97	17.07	7.5	18.25	16.31	3.0	7.5	8.62	677C370G01
8		7.2	75	439D347G06	29.0	5.69	11.44	4.5	9.28	5.97	17.07	7.5	18.25	16.31	4.0	8.5	10.12	677C370G01
9		13.8	95	439D347G10	32.0	7.19	12.94	6.0	11.03	5.78	20.44	8.75	21.63	19.69	6.0	11.5	11.62	677C370G02
10		14.4	110	439D347G14	32.0	8.69	14.44	7.5	12.66	5.78	20.44	8.75	21.63	19.69	6.0	11.5	13.12	677C370G02
11	TRBF	4.8	60	439D347G03	29.0	4.69	10.44	3.5	8.22	5.97	17.07	7.5	18.25	16.31	3.0	7.5	11.16	677C370G01
12		7.2	75	439D347G07	29.0	5.69	11.44	4.5	9.28	5.97	17.07	7.5	18.25	16.31	4.0	8.5	12.56	677C370G01
13		13.8	95	439D347G11	32.0	7.19	12.94	6.0	11.03	5.78	20.44	8.75	21.63	19.69	6.0	11.5	13.06	677C370G02
14		14.4	110	439D347G15	32.0	8.69	14.44	7.5	12.66	5.78	20.44	8.75	21.63	19.69	6.0	11.5	15.56	677C370G02
15	TTRC	4.8	60	439D347G04	29.0	4.69	10.44	3.5	8.22	5.97	17.07	7.5	18.25	16.31	3.0	7.5	8.62	677C370G01
16		7.2	75	439D347G08	29.0	5.69	11.44	4.5	9.28	5.97	17.07	7.5	18.25	16.31	4.0	8.5	10.12	677C370G01
17		13.8	95	439D347G12	32.0	7.19	12.94	6.0	11.03	5.78	20.44	8.75	21.63	19.69	6.0	11.5	11.62	677C370G02
18		14.4	110	439D347G16	32.0	8.69	14.44	7.5	12.66	5.78	20.44	8.75	21.63	19.69	6.0	11.5	13.12	677C370G02

① TTFC=Two terminals front connected.
 TFBR=Top terminal front connected, bottom terminal rear connected.
 TRBF=Top terminal rear connected, bottom terminal front connected.
 TTRC=Two terminals rear connected.

② Phase-to-phase centerline spacing without barriers.
 ③ Approximate dimensions.
 ④ Refer to Power Switching Equipment Sales, East Pittsburgh.

Customer _____ Address _____ G. O. _____

P. O. Number _____ Item _____ Approval

Apparatus _____ Reference

Line No. _____ Certified _____ Date _____ Construction

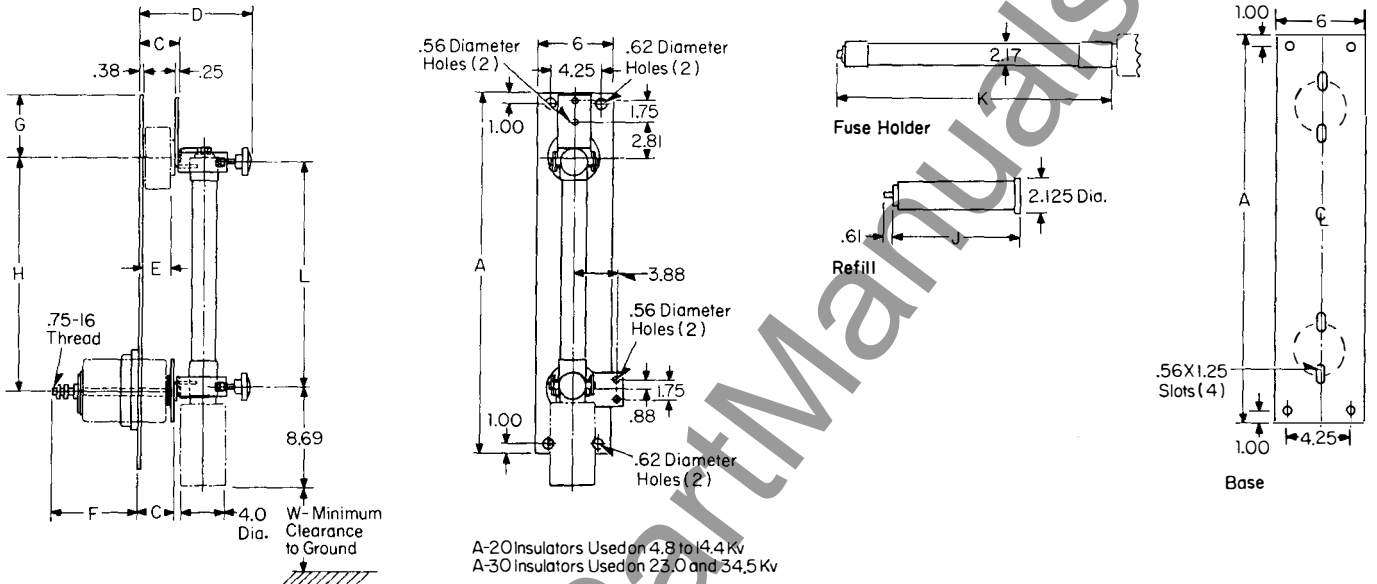
Other

Westinghouse



RBA Indoor Power Fuses

Indoor Non-Disconnect Mounting Type RBA-400, 4.8 Kv to 34.5 Kv



Line No.	Type of Mounting ①	Kv	BIL Kv	Mounting Style Number	Dimensions In Inches													Recommended Phase Spacing: Inches ②		Fuse Holder Style Number
					A	C	D	E	F	G	H	J ③	K ③	L	W With Con- denser Filter	With Dis- charge Filter				
1	TTFC	4.8	60	439D349G01	32.0	4.12	10.62	3.5	6.81	18.38	7.62	19.52	16.57	3.0	7.5	11.16	677C371G01		
2		7.2	75	439D349G05	32.0	5.12	11.62	4.5	6.81	18.38	7.62	19.52	16.57	4.0	8.5	12.56	677C371G01		
3		13.8	95	439D349G09	34.0	6.63	13.12	6.0	6.12	21.75	8.88	22.90	19.94	6.0	11.5	13.06	677C371G02		
4		14.4	110	439D349G13	34.0	8.12	14.62	7.5	6.12	21.75	8.88	22.90	19.94	6.0	11.5	15.56	677C371G02		
5		23.0	150	439D349G17	40.5	11.88	18.38	10.5	7.06	26.38	11.38	27.52	24.57	8.5	④	19.56	677C371G03		
6		34.5	200	439D349G21	47.5	16.38	22.88	15.0	7.06	33.38	13.62	34.52	31.57	12.0	④	24.56	677C371G04		
7	TFBR	4.8	60	439D349G02	32.0	4.69	11.22	3.5	8.22	6.81	18.38	7.62	19.52	16.57	3.0	7.5	8.62	677C371G01		
8		7.2	75	439D349G06	32.0	5.69	12.22	4.5	9.28	6.81	18.38	7.62	19.52	16.57	4.0	8.5	10.12	677C371G01		
9		13.8	95	439D349G10	34.0	7.19	13.72	6.0	11.03	6.12	21.75	8.88	22.90	19.94	6.0	11.5	11.62	677C371G02		
10		14.4	110	439D349G14	34.0	8.69	15.22	7.5	12.66	6.12	21.75	8.88	22.90	19.94	6.0	11.5	13.12	677C371G02		
11	TRBF	4.8	60	439D349G03	32.0	4.69	11.22	3.5	8.22	6.81	18.38	7.62	19.52	16.57	3.0	7.5	11.16	677C371G01		
12		7.2	75	439D349G07	32.0	5.69	12.22	4.5	9.28	6.81	18.38	7.62	19.52	16.57	4.0	8.5	12.56	677C371G01		
13		13.8	95	439D349G11	34.0	7.19	13.72	6.0	11.03	6.12	21.75	8.88	22.90	19.94	6.0	11.5	13.06	677C371G02		
14		14.4	110	439D349G15	34.0	8.69	15.22	7.5	12.66	6.12	21.75	8.88	22.90	19.94	6.0	11.5	15.56	677C371G02		
15	TTRC	4.8	60	439D349G04	32.0	4.69	11.22	3.5	8.22	6.81	18.38	7.62	19.52	16.57	3.0	7.5	8.62	677C371G01		
16		7.2	75	439D349G08	32.0	5.69	12.22	4.5	9.28	6.81	18.38	7.62	19.52	16.57	4.0	8.5	10.12	677C371G01		
17		13.8	95	439D349G12	34.0	7.19	13.72	6.0	11.03	6.12	21.75	8.88	22.90	19.94	6.0	11.5	11.62	677C371G02		
18		14.4	110	439D349G16	34.0	8.69	15.22	7.5	12.66	6.12	21.75	8.88	22.90	19.94	6.0	11.5	13.12	677C371G02		

- ① TTFC=Two terminals front connected.
TFBR=Top terminal front connected, bottom terminal rear connected.
TRBF=Top terminal rear connected, bottom terminal front connected.
TTRC=Two terminals rear connected.
- ② Phase-to-phase centerline spacing, without barriers.
- ③ Approximate dimensions.
- ④ Refer to Power Switching Equipment Sales, East Pittsburgh.

Customer _____ Address _____ G. O. _____

P. O. Number _____ Item _____ Approval

Apparatus _____ Reference

Line No. _____ Certified _____ Date _____ Construction

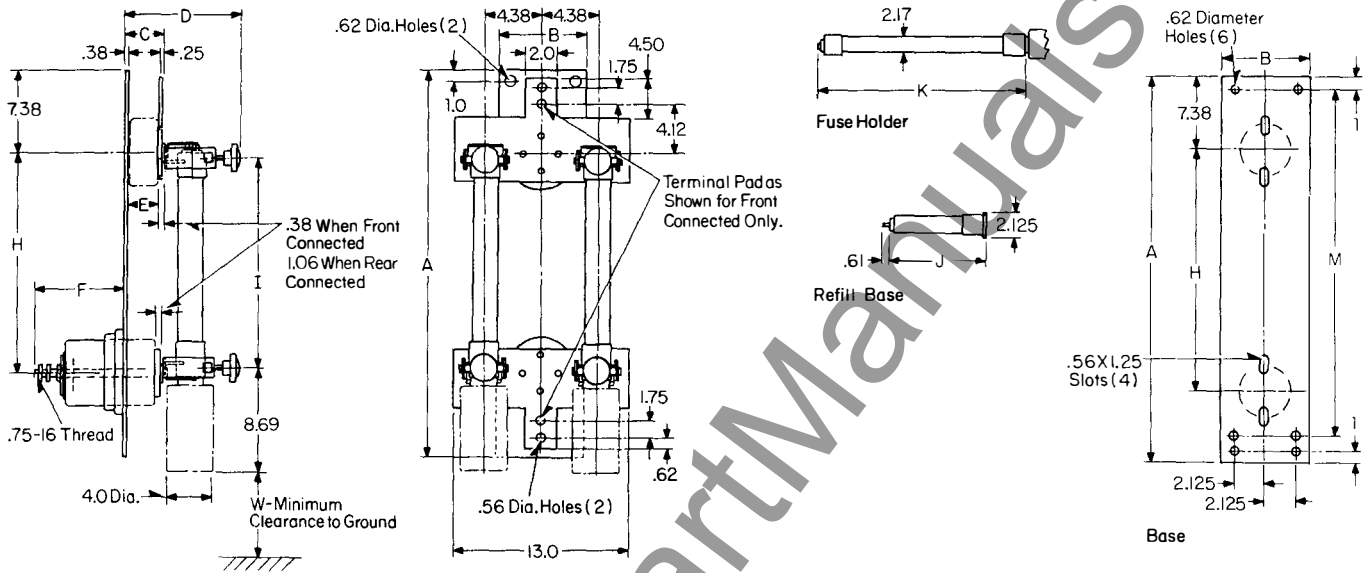
Other

Westinghouse



RBA Indoor Power Fuses

Indoor Non-Disconnect Mounting Type RBA-800, 4.8 Kv to 14.4 Kv



Line No.	Type of Mounting ①	Kv	BIL Kv	Mounting Style Number	Dimensions In Inches													W	With Con- denser	With Dis- charge Filter	Recom- mended Phase Spacing: Inches ②	Fuse Holder Style Number ③
					A	B	C	D	E	F	H	I	J	K	M							
1	TTFC	4.8	60	449D513G01	35.12	7.0	4.25	11.00	3.5	18.38	16.57	7.62	19.52	31.12	3.0	7.5	11.16	677C371G01			
2		7.2	75	449D513G05	35.12	7.0	5.25	12.00	4.5	18.38	16.57	7.62	19.52	31.12	4.0	8.5	12.56	677C371G01			
3		13.8	95	449D513G09	38.0	7.0	6.75	13.50	6.0	21.75	19.94	8.88	22.90	34.50	6.0	11.5	13.06	677C371G02			
4		14.4	110	449D513G13	38.0	7.0	8.25	15.00	7.5	21.75	19.94	8.88	22.90	34.50	6.0	11.5	15.56	677C371G02			
5	TFBR	4.8	60	449D513G02	35.12	8.0	5.19	11.69	3.5	8.25	18.38	16.57	7.62	19.52	31.12	3.0	7.5	11.16	677C371G01			
6		7.2	75	449D513G06	35.12	8.0	6.19	12.69	4.5	9.31	18.38	16.57	7.62	19.52	31.12	4.0	8.5	12.56	677C371G01			
7		13.8	95	449D513G10	38.0	8.0	7.69	14.19	6.0	11.06	21.75	19.94	8.88	22.90	34.50	6.0	11.5	13.06	677C371G02			
8		14.4	110	449D513G14	38.0	8.0	9.19	15.69	7.5	12.69	21.75	19.94	8.88	22.90	34.50	6.0	11.5	15.56	677C371G02			
9	TRBF	4.8	60	449D513G03	35.12	8.0	5.19	11.69	3.5	8.25	18.38	16.57	7.62	19.52	31.12	3.0	7.5	11.16	677C371G01			
10		7.2	75	449D513G07	35.12	8.0	6.19	12.69	4.5	9.31	18.38	16.57	7.62	19.52	31.12	4.0	8.5	12.56	677C371G01			
11		13.8	95	449D513G11	38.0	8.0	7.69	14.19	6.0	11.06	21.75	19.94	8.88	22.90	34.50	6.0	11.5	13.06	677C371G02			
12		14.4	110	449D513G15	38.0	8.0	9.19	15.69	7.5	12.69	21.75	19.94	8.88	22.90	34.50	6.0	11.5	15.56	677C371G02			
13	TTRC	4.8	60	449D513G04	35.12	8.0	5.19	11.69	3.5	8.25	18.38	16.57	7.62	19.52	31.12	3.0	7.5	11.16	677C371G01			
14		7.2	75	449D513G08	35.12	8.0	6.19	12.69	4.5	9.31	18.38	16.57	7.62	19.52	31.12	4.0	8.5	12.56	677C371G01			
15		13.8	95	449D513G12	38.0	8.0	7.69	14.19	6.0	11.06	21.75	19.94	8.88	22.90	34.50	6.0	11.5	13.06	677C371G02			
16		14.4	110	449D513G16	38.0	8.0	9.19	15.69	7.5	12.69	21.75	19.94	8.88	22.90	34.50	6.0	11.5	15.56	677C371G02			

- ① TTFC=Two terminals front connected.
- TFBR=Top terminal front connected, bottom terminal rear connected.
- TRBF=Top terminal rear connected, bottom terminal front connected.
- TTRC=Two terminals rear connected.

② Phase-to-phase centerline spacing without barriers.

③ Requires two fuseholders for RBA-800.

④ Approximate dimensions.

Customer _____ Address _____ G. O. _____

P.O. Number _____ Item _____ Approval

Apparatus _____ Reference

Line No. _____ Certified _____ Date _____ Other

Westinghouse Electric Corporation
 Switchgear Division, Power Switching Equipment, East Pittsburgh, Pa. 15112
 Printed in USA

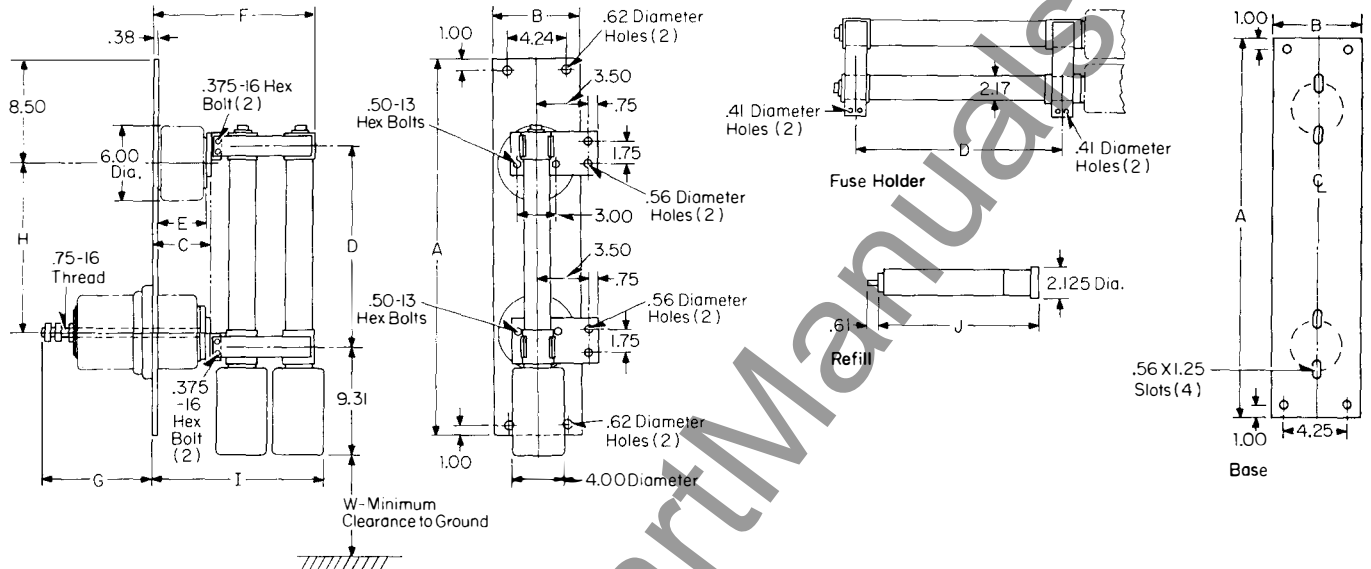
August, 1970
 Supersedes TCS 36-674, page 6, dated
 February, 1969
 E, D/1971/DB

Westinghouse

RBA Indoor Power Fuses



Indoor Non-Disconnect Mounting (Piggy Back Type) RBA-800, 4.8 Kv to 34.5 Kv



Line No.	Type of Mounting ①	Kv	BIL Kv	Mounting Style Number	Dimensions In Inches													W		Recommended Phase Spacing: Inches ②	Fuse Holder Style Number
					A	B	C	D ③	E	F	G	H	I	J ③	With Con- denser	With Dis- charge Filter					
1	TTFC	4.8	60	449D472G01	30.5	7.0	4.25	16.31	3.50	12.5	...	13.69	13.25	7.62	3.0	7.5	11.0	591C358G01			
2		7.2	75	449D472G05	30.5	7.0	5.25	16.31	4.50	13.5	...	13.69	14.25	7.62	4.0	8.5	12.5	591C358G01			
3		13.8	95	449D472G09	34.0	7.0	6.75	19.81	6.00	15.0	...	17.19	15.75	8.88	6.0	11.5	14.0	591C358G02			
4		14.4	110	449D472G13	34.0	7.0	8.25	19.81	7.50	16.5	...	17.19	17.25	8.88	6.0	11.5	15.5	591C358G02			
5		23.0	150	449D472G17	38.5	7.0	11.25	24.50	10.50	19.5	...	21.88	20.25	11.38	6.0	④	19.5	591C358G03			
6		34.5	200	449D472G18	45.5	7.0	15.75	31.50	15.00	24.0	...	28.88	24.75	13.62	12.0	④	24.5	591C358G04			
7	TRBF	4.8	60	449D472G02	30.5	8.0	4.94	16.31	3.50	13.2	8.38	13.69	13.95	7.62	3.0	7.5	11.0	591C358G01			
8		7.2	75	449D472G06	30.5	8.0	5.94	16.31	4.50	14.2	9.44	13.69	14.95	7.62	4.0	8.5	12.5	591C358G01			
9		13.8	95	449D472G10	34.0	8.0	7.44	19.81	6.00	15.7	11.19	17.19	16.45	8.88	6.0	11.5	14.0	591C358G02			
10		14.4	110	449D472G14	34.0	8.0	8.94	19.81	7.50	17.2	12.81	17.19	17.95	8.88	6.0	11.5	15.5	591C358G02			
11	TFBR	4.8	60	449D472G03	30.5	8.0	4.94	16.31	3.50	13.2	8.38	13.69	13.95	7.62	3.0	7.5	11.0	591C358G01			
12		7.2	75	449D472G07	30.5	8.0	5.94	16.31	4.50	14.2	9.44	13.69	14.95	7.62	4.0	8.5	12.5	591C358G01			
13		13.8	95	449D472G11	34.0	8.0	7.44	19.81	6.00	15.7	11.19	17.19	16.45	8.88	6.0	11.5	14.0	591C358G02			
14		14.4	110	449D472G13	34.0	8.0	8.94	19.81	7.50	17.2	12.81	17.19	17.95	8.88	6.0	11.5	15.5	591C358G02			
15	TTRC	4.8	60	449D472G04	30.5	8.0	4.94	16.31	3.50	13.2	8.38	13.69	13.95	7.62	3.0	7.5	11.0	591C358G01			
16		7.2	75	449D472G08	30.5	8.0	5.94	16.31	4.50	14.2	9.44	13.69	14.95	7.62	4.0	8.5	12.5	591C358G01			
17		13.8	95	449D472G12	34.0	8.0	7.44	19.81	6.00	15.7	11.19	17.19	16.45	8.88	6.0	11.5	14.0	591C358G02			
18		14.4	110	449D472G16	34.0	8.0	8.94	19.81	7.50	17.2	12.81	17.19	17.95	8.88	6.0	11.5	15.5	591C358G02			

① TTFC=Two terminals front connected.
 TRBF=Top terminal rear connected, bottom terminal front connected.
 TFBR=Top terminal front connected, bottom terminal rear connected.
 TTRC=Two terminals rear connected.

② Phase-to-phase centerline spacing without barriers.
 ③ Approximate dimensions.
 ④ Refer to Power Switching Equipment Sales, East Pittsburgh.

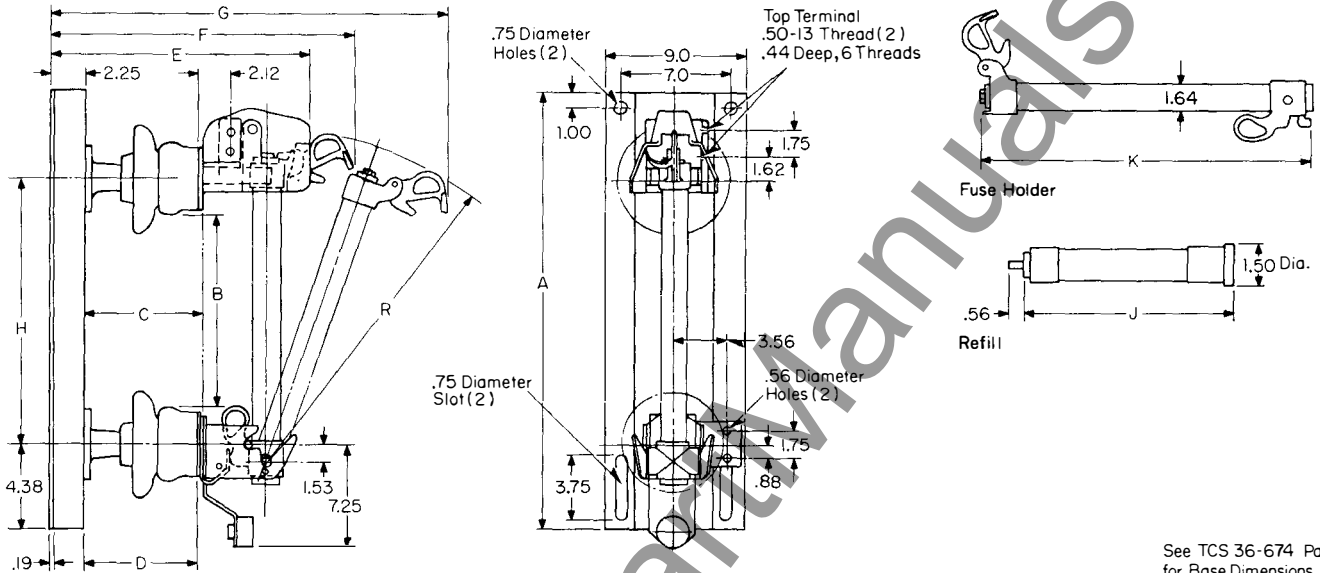
Customer _____ Address _____ G. O. _____
 P.O. Number _____ Item _____ Approval
 Apparatus _____ Reference
 Line No. _____ Certified _____ Date _____ Construction
 Other

Westinghouse



RDB Outdoor Power Fuses

Outdoor Dropout Mounting Type RDB-200, 4.8 to 34.5 Kv, 180° Opening



See TCS 36-674 Page 11 for Base Dimensions

Line No.	Type of Insulator	Kv	TR. No.	BIL Kv	Mounting Style Number	Dimensions In Inches													Recommended Phase Spacing: Inches ①	Fuse Holder Style Number
						A	B	C	D	E	F	G ③	H	J ②	K ②	R				
1	Cap and Pin (Gray)	4.8/7.2	1	95	140D309G01	23.0	8.88	7.81	7.5	17.0	18.88	33.06	13.88	7.50	18.81	18.69	18.0	309C558G05		
2		15.0	4	110	140D309G02	26.0	12.25	10.31	10.0	19.5	21.38	38.93	17.25	8.75	22.19	22.06	24.0	309C558G06		
3		23.0	7	150	140D309G03	32.0	16.32	12.31	12.0	21.5	23.38	45.56	21.88	10.50	26.81	26.69	30.0	309C558G07		
4		34.5	10	200	140D309G04	38.0	22.44	15.31	15.0	24.5	26.38	55.56	28.88	13.12	33.81	33.69	36.0	309C558G08		
5	Cap and Pin (Gray)	4.8/7.2	4	110	140D309G05	23.0	8.88	10.31	10.0	19.5	21.38	35.56	13.88	7.50	18.81	18.69	18.0	309C558G05		
6		15.0	7	150	140D309G06	26.0	11.69	12.31	12.0	21.5	23.38	40.93	17.25	8.75	22.19	22.06	24.0	309C558G06		
7		23.0	10	200	140D309G07	32.0	15.44	15.31	15.0	24.5	26.38	48.56	21.88	10.50	26.81	26.69	30.0	309C558G07		
8		34.5	13	250	140D309G08	38.0	21.13	18.31	18.0	27.5	29.38	58.56	28.88	13.12	33.81	33.69	36.0	309C558G08		
9	Station Post (Gray)	4.8/7.2	202	95	140D309G09	23.0	8.88	7.81	7.5	17.0	18.88	33.06	13.88	7.50	18.81	18.69	18.0	309C558G05		
10		15.0	205	110	140D309G10	26.0	12.25	10.31	10.0	19.5	21.38	38.93	17.25	8.75	22.19	22.06	24.0	309C558G06		
11		23.0	208	150	140D309G11	32.0	15.88	14.31	14.0	23.5	25.38	47.56	21.88	10.50	26.81	26.69	30.0	309C558G07		
12		34.5	210	200	140D309G12	38.0	22.88	18.31	18.0	27.5	29.38	58.56	28.88	13.12	33.81	33.69	36.0	309C558G08		
13	Station Post (Gray)	4.8/7.2	205	110	140D309G13	23.0	8.88	10.31	10.0	19.5	21.38	35.56	13.88	7.50	18.81	18.69	18.0	309C558G05		
14		15.0	208	150	140D309G14	26.0	11.25	14.31	14.0	23.5	25.38	42.93	17.25	8.75	22.19	22.06	24.0	309C558G06		
15		23.0	210	200	140D309G15	32.0	15.88	18.31	18.0	27.5	29.38	51.56	21.88	10.50	26.81	26.69	30.0	309C558G07		
16		34.5	214	250	140D309G16	38.0	21.25	22.31	22.0	31.5	33.38	62.56	28.88	13.12	33.81	33.69	36.0	309C558G08		

① Phase-to-phase centerline spacing when connected to non-vented side of fuse mounting.

② Approximate dimensions.

③ Dimension at 90° opening.

Note: For base dimensions, see TCS 36-674, Page 11.

Customer _____ Address _____ G. O. _____

P.O. Number _____ Item _____ Approval

Apparatus _____ Reference

Line No. _____ Certified _____ Date _____ Construction

Other

Westinghouse Electric Corporation
 Switchgear Division, Power Switching Equipment, East Pittsburgh, Pa. 15112
 Printed in USA

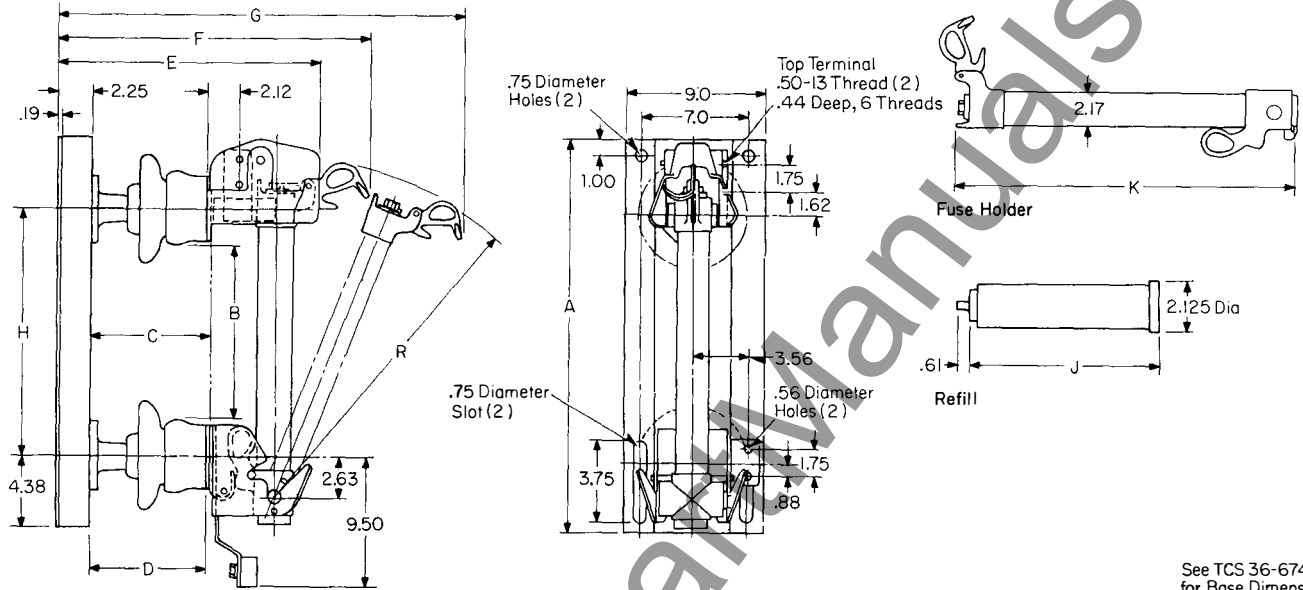
August, 1970
 Supersedes TCS 36-674, page 8, dated
 February, 1969
 E, D/1971/DB

Westinghouse



RDB Outdoor Power Fuses

Outdoor Dropout Mounting Type RDB-400, 4.8 to 34.5 Kv, 180° Opening



See TCS 36-674 Page 11 for Base Dimensions

Line No.	Type of Insulator	Kv	Tr. No.	BIL Kv	Mounting Style Number	Dimensions In Inches													Recom- mended Phase Spacing: Inches ①	Fuse Holder Style Number
						A	B	C	D	E	F	G	H	J	K	R				
1	Cap and Pin	4.8/7.2	1	95	140D310G01	23.0	8.81	7.81	7.5	17.00	19.00	34.00	13.81	7.62	20.00	19.69	18.0	310C131G01		
2	(Gray)	15.0	4	110	140D310G02	26.0	12.19	10.31	10.0	19.50	21.50	40.50	17.19	8.88	23.38	23.69	24.0	310C131G02		
3		23.0	7	150	140D310G03	32.0	16.25	12.31	12.0	21.50	23.50	46.50	21.81	11.38	28.00	27.69	30.0	310C131G03		
4		34.5	10	200	140D310G04	38.0	22.37	15.31	15.0	24.50	26.50	56.50	28.81	13.62	35.00	34.69	36.0	310C131G04		
5	Cap and Pin	4.8/7.2	4	110	140D310G05	23.0	8.81	10.31	10.0	19.50	21.50	36.50	13.81	7.62	20.00	19.69	18.0	310C131G01		
6	(Gray)	15.0	7	150	140D310G06	26.0	11.63	12.31	12.0	21.50	23.50	42.50	17.19	8.88	23.38	23.69	24.0	310C131G02		
7		23.0	10	200	140D310G07	32.0	15.37	15.31	15.0	24.50	26.50	49.50	21.81	11.38	28.00	27.69	30.0	310C131G03		
8		34.5	13	250	140D310G08	38.0	21.06	18.31	18.0	27.50	29.50	59.50	28.81	13.62	35.00	34.69	36.0	310C131G04		
9	Station Post	4.8/7.2	202	95	140D310G09	23.0	8.81	7.81	7.5	17.00	19.00	34.00	13.81	7.62	20.00	19.69	18.0	310C131G01		
10	(Gray)	15.0	205	110	140D310G10	26.0	12.19	10.31	10.0	19.50	21.50	40.50	17.19	8.88	23.38	23.69	24.0	310C131G02		
11		23.0	208	150	140D310G11	32.0	15.81	14.31	14.0	23.50	25.50	48.50	21.81	11.38	28.00	27.69	30.0	310C131G03		
12		34.5	210	200	140D310G12	38.0	22.81	18.31	18.0	27.50	29.50	59.50	28.81	13.62	35.00	34.69	36.0	310C131G04		
13	Station Post	4.8/7.2	205	110	140D310G13	23.0	8.81	10.31	10.0	19.50	21.50	36.50	13.81	7.62	20.00	19.69	18.0	310C131G01		
14	(Gray)	15.0	208	150	140D310G14	26.0	11.19	14.31	14.0	23.50	25.50	44.50	17.19	8.88	23.38	23.69	24.0	310C131G02		
15		23.0	210	200	140D310G15	32.0	15.81	18.31	18.0	27.50	29.50	52.50	21.81	11.38	28.00	27.69	30.0	310C131G03		
16		34.5	214	250	140D310G16	38.0	21.19	22.31	22.0	31.50	33.50	63.50	28.81	13.62	35.00	34.69	36.0	310C131G04		

① Phase-to-phase centerline spacing when connected to non-vented side of fuse mounting.

② Approximate dimensions.

③ Dimension at 90° opening.

Note: For base dimensions, see TCS 36-674, Page 11.

Customer _____ Address _____ G. O. _____

P.O. Number _____ Item _____ Approval

Apparatus _____ Reference

Line No. _____ Certified _____ Date _____ Construction

Westinghouse Electric Corporation
Switchgear Division, Power Switching Equipment, East Pittsburgh, Pa. 15112
Printed in USA

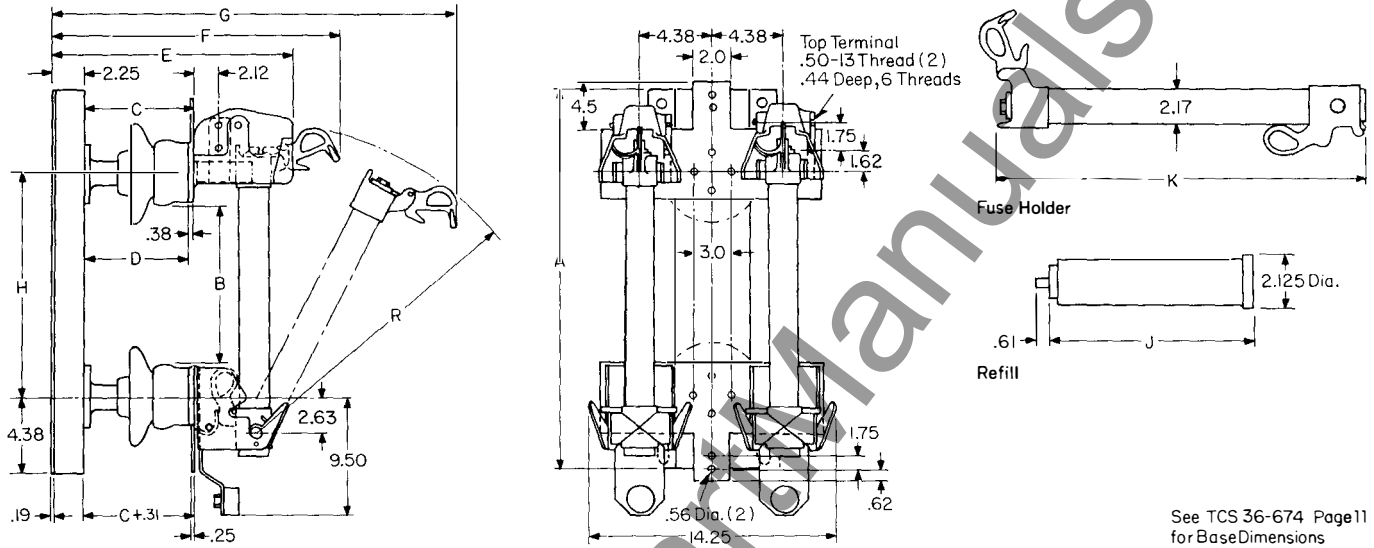
August, 1970
Supersedes TCS 36-674, page 9, dated February, 1969
E, D/1971/DB

Westinghouse



RDB Outdoor Power Fuses

Outdoor Dropout Mounting Type RDB-800, 4.8 Kv to 34.5 Kv, 180° Opening



See TCS 36-674 Page 11 for Base Dimensions

Line No.	Type of Insulator	Kv	TR No.	BIL Kv	Mounting Style Number	Dimensions In Inches														Recommended Phase Spacing: Inches ③	Fuse Holder Style Number ②
						A	B	C	D	E	F	G ④	H	J ①	K ①	R					
1	Cap and Pin	4.8/7.2	1	95	140D311G01	23.0	8.81	7.88	7.5	17.38	19.38	34.38	13.81	7.62	20.00	19.69	18.0	310C131G01			
2	Pin	15.0	4	110	140D311G02	26.0	12.19	10.38	10.0	19.88	21.88	40.88	17.19	8.88	23.38	23.69	24.0	310C131G02			
3	(Gray)	23.0	7	150	140D311G03	32.0	16.23	12.38	12.0	21.88	23.88	46.88	21.81	11.38	28.00	27.69	30.0	310C131G03			
4		34.5	10	200	140D311G04	38.0	22.37	15.38	15.0	24.88	26.88	56.88	28.81	13.62	35.00	34.69	36.0	310C131G04			
5	Cap and Pin	4.8/7.2	4	110	140D311G05	23.0	8.81	10.38	10.0	19.88	21.88	36.88	13.81	7.62	20.00	19.69	18.0	310C131G01			
6	Pin	15.0	7	150	140D311G06	26.0	11.63	12.38	12.0	21.88	23.88	42.88	17.19	8.88	23.38	23.69	24.0	310C131G02			
7	(Gray)	23.0	10	200	140D311G07	32.0	15.37	15.38	15.0	24.88	26.88	49.88	21.81	11.38	28.00	27.69	30.0	310C131G03			
8		34.5	13	250	140D311G08	38.0	21.06	18.38	18.0	27.88	29.88	59.88	28.81	13.62	35.00	34.69	36.0	310C131G04			
9	Station Post	4.8/7.2	202	95	140D311G09	23.0	8.81	7.88	7.5	17.38	19.38	34.38	13.81	7.62	20.00	19.69	18.0	310C131G01			
10	Post	15.0	205	110	140D311G10	26.0	12.19	10.38	10.0	19.88	21.88	40.88	17.19	8.88	23.38	23.69	24.0	310C131G02			
11	(Gray)	23.0	208	150	140D311G11	32.0	15.81	14.38	14.0	23.88	25.88	48.88	21.81	11.38	28.00	27.69	30.0	310C131G03			
12		34.5	210	200	140D311G12	38.0	22.81	18.38	18.0	27.88	29.88	59.88	28.81	13.62	35.00	34.69	36.0	310C131G04			
13	Station Post	4.8/7.2	205	110	140D311G13	23.0	8.81	10.38	10.0	19.88	21.88	36.88	13.81	7.62	20.00	19.69	18.0	310C131G01			
14	Post	15.0	208	150	140D311G14	26.0	11.19	14.38	14.0	23.88	25.88	44.88	17.19	8.88	23.38	23.69	24.0	310C131G02			
15	(Gray)	23.0	210	200	140D311G15	32.0	15.81	18.38	18.0	27.88	29.88	52.88	21.81	11.38	28.00	27.69	30.0	310C131G03			
16		34.5	214	250	140D311G16	38.0	21.19	22.38	22.0	31.88	33.88	63.88	28.81	13.62	35.00	34.69	36.0	310C131G04			

- ① Approximate dimensions.
- ② Two (2) fuseholders required.
- ③ Phase-to-phase centerline spacing when connected to non-vented side of fuse mounting.
- ④ Dimension at 90° opening.

Note: For base dimensions, see TCS 36-674, Page 11.

Customer _____ Address _____ G. O. _____

P.O. Number _____ Item _____ Approval

Apparatus _____ Reference

Line No. _____ Certified _____ Date _____ Construction

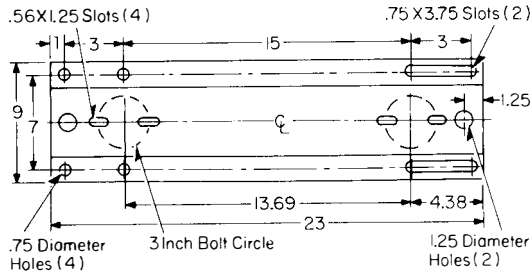
Other

Westinghouse

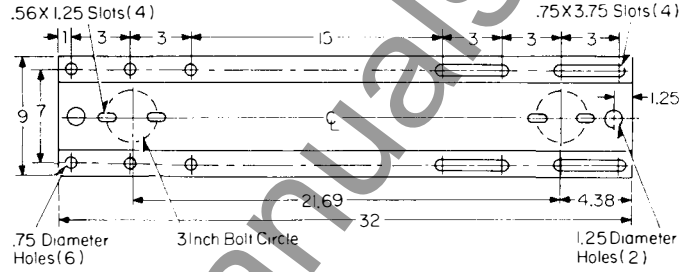


RDB Outdoor Power Fuses

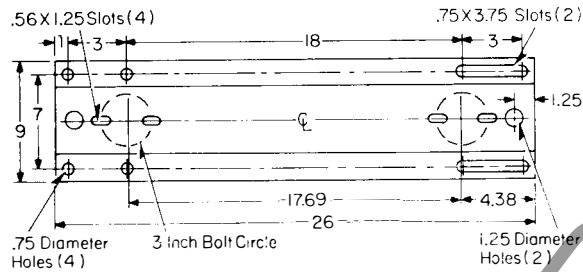
Base Dimensions For RDB-200, RDB-400, RDB-800 Mountings
 4.8/7.2 Kv to 34.5 Kv, Outdoor Type



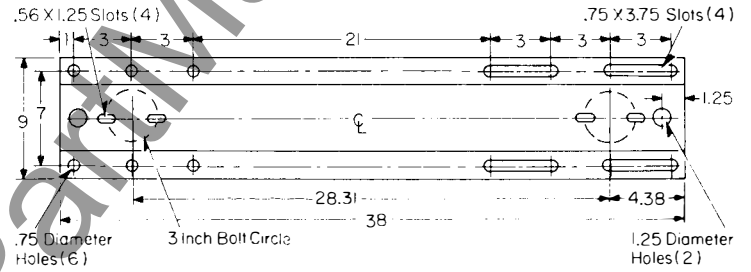
7.2 Kv



23.0 Kv



14.4 Kv



34.5 Kv