

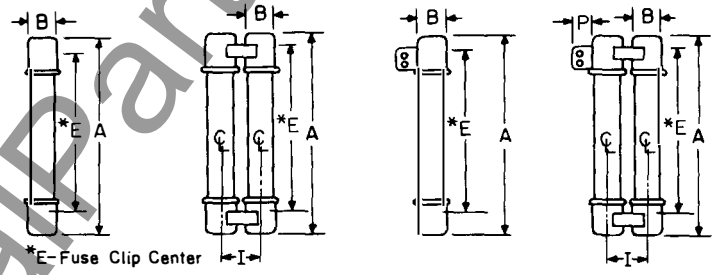
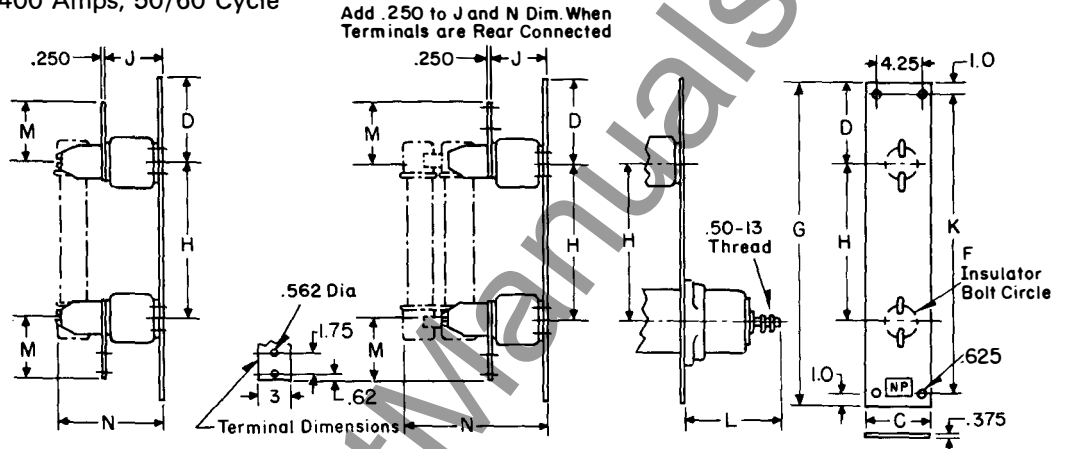
Westinghouse



High Voltage Power Fuses
Indoor Current Limiting

Non-Disconnecting, Types CLS-1, CLS-2, CLS-11, CLS-21, CLS-12, CLS-22, CLS-13, CLS-23
2400 and 4800 Volts, 30 to 400 Amps, 50/60 Cycle

CLS-1, CLS-2,
Standard Length
CLS-11, CLS-21,
2.4 Kv for 5 Kv Mounting
CLS-12, CLS-22,
Special Length
CLS-13, CLS-23,
Hermetically Sealed Std. Length



Types CLS-1, CLS-2, CLS-11
CLS-21, CLS-13, CLS-23
Types CLS-12, CLS-22

Line No.	Type of Fuse	Nominal Fuse Voltage Rating	Nominal Insulator Voltage Rating	Mtg. Size	Fuse Dimensions Inches					Mounting Dimensions Inches					Base Dimensions Inches					Recom. Phase Spacing, Inches	
					A	B	E	I	P	H	J	L	M	N	C	D	F	G	H		K
1	CLS-1		4800	D	10.88	3.00	7.00			7.00	3.75	8.56	5.50	8.38	6.0	7.50	2.0	22.0	7.00	20.0	9.0
2	CLS-11		4800	D	17.88	3.00	14.00			14.00	3.88	8.56	5.50	8.50	6.0	7.50	2.0	29.0	14.00	27.0	9.0
3	CLS-12	2400		None	15.88	3.00	12.00		1.25												
4	CLS-13		4800	D	10.88	3.00	7.00			7.00	3.75	8.56	5.50	8.38	6.0	7.50	2.0	22.0	7.00	20.0	9.0
5	CLS-2		4800	E	10.88	3.00	7.00	3.56		7.00	3.75	8.56	5.50	11.94	6.0	7.50	2.0	22.0	7.00	20.0	9.0
6	CLS-21		4800	E	17.88	3.00	14.00	3.56		14.00	3.88	8.56	5.50	12.06	6.0	7.50	2.0	29.0	14.00	27.0	9.0
7	CLS-22	2400		None	15.88	3.00	12.00	3.31	1.25												
8	CLS-23		4800	E	10.88	3.00	7.00	3.56		7.00	3.75	8.56	5.50	11.94	6.0	7.50	2.0	22.0	7.00	20.0	9.0
9	CLS-1		4800	D	17.88	3.00	14.00			14.00	3.88	8.56	5.50	8.50	6.0	7.50	2.0	29.0	14.00	27.0	10.0
10	CLS-12	4800		None	15.88	3.00	12.00		1.25												
11	CLS-13		4800	D	17.88	3.00	14.00			14.00	3.88	8.56	5.50	8.50	6.0	7.50	2.0	29.0	14.00	27.0	10.0
12	CLS-2		4800	E	17.88	3.00	14.00	3.56		14.00	3.88	8.56	5.50	12.06	6.0	7.50	2.0	29.0	14.00	27.0	10.0
13	CLS-22	4800		None	15.88	3.00	12.00	3.31	1.25												
14	CLS-23		4800	E	17.88	3.00	14.00	3.56		14.00	3.88	8.56	5.50	12.06	6.0	7.50	2.0	29.0	14.00	27.0	10.0

Customer _____ Address _____ G. O. _____

P.O. Number _____ Item _____ Approval

Apparatus _____ Reference

Line No. _____ Certified _____ Date _____ Construction

Westinghouse Electric Corporation
Switchgear Division, Power Switching Equipment, East Pittsburgh, Pa.
Printed in USA

August, 1967
New Information
E/D/1971/DB

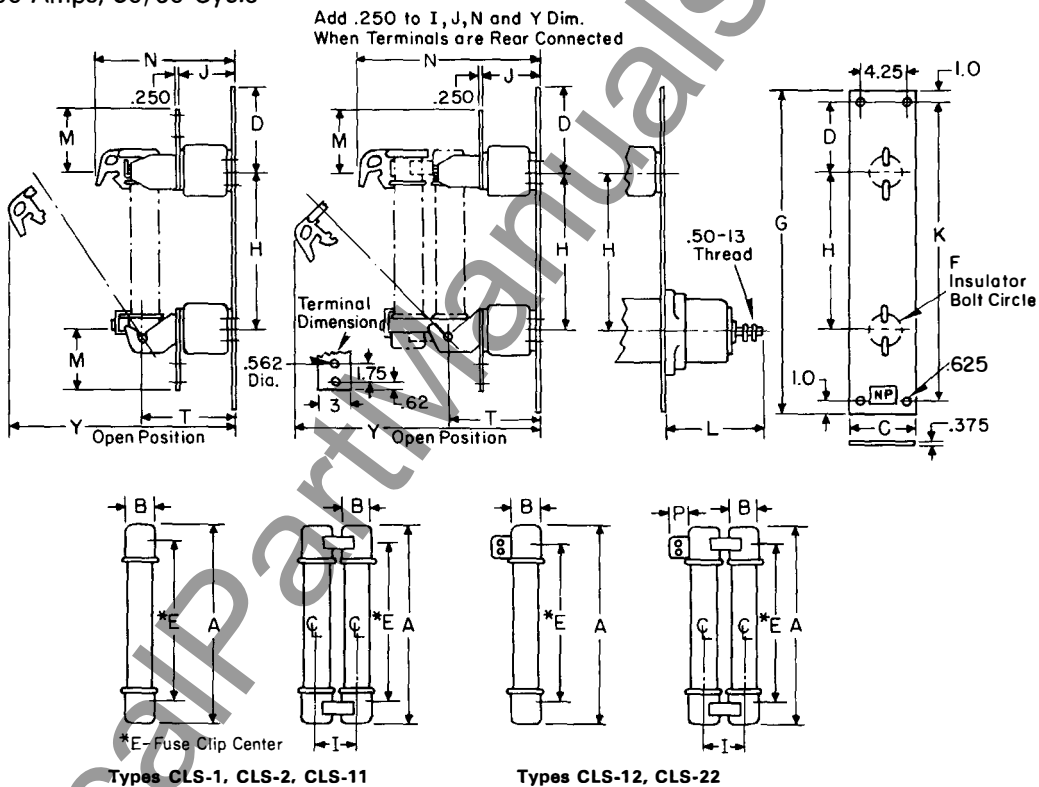
Westinghouse



High Voltage Power Fuses
Indoor Current Limiting

Disconnecting, Types CLS-1, CLS-2, CLS-11, CLS-21, CLS-12, CLS-22, CLS-13, CLS-23
2400 and 4800 Volts, 30 to 400 Amps, 50/60 Cycle

- CLS-1, CLS-2,
Standard Length
- CLS-11, CLS-21,
2.4 Kv for 5 Kv Mounting
- CLS-12, CLS-22,
Special Length
- CLS-13, CLS-23,
Hermetically Sealed Std. Length



Line No.	Type of Fuse	Nominal Fuse Voltage Rating	Nominal Insulator Voltage Rating	Mtg. Size	Fuse Dimensions Inches					Mounting Dimensions Inches					Base Dimensions Inches					Recom. Phase Spacing, Inches			
					A	B	E	I	P	H	T	J	L	M	N	Y	C	D	F		G	H	K
1	CLS-1	4800	4800	D	10.88	3.00	7.00	7.00	6.84	3.75	8.56	5.50	11.09	16.38	6.0	7.50	2.0	22.0	7.00	20.0	9.0
2	CLS-11	4800	4800	D	17.88	3.00	14.00	14.00	6.97	3.88	8.56	5.50	11.22	22.62	6.0	7.50	2.0	29.0	14.00	27.0	9.0
3	CLS-12 2400	None	15.88	3.00	12.00	1.25
4	CLS-13	4800	4800	D	10.88	3.00	7.00	7.00	6.84	3.75	8.56	5.50	11.09	16.38	6.0	7.50	2.0	22.0	7.00	20.0	9.0
5	CLS-2	4800	4800	E	10.88	3.00	7.00	3.56	7.00	6.88	3.75	8.56	5.50	14.69	17.62	6.0	7.50	2.0	22.0	7.00	20.0	9.0
6	CLS-21	4800	4800	E	17.88	3.00	14.0	3.56	14.00	7.00	3.88	8.56	5.50	14.81	23.88	6.0	7.50	2.0	29.0	14.00	27.0	9.0
7	CLS-22 2400	None	15.88	3.00	12.00	3.31	1.25
8	CLS-23	4800	4800	E	10.88	3.00	7.00	3.56	7.00	6.88	3.75	8.56	5.50	14.69	17.62	6.0	7.50	2.0	22.0	7.00	20.0	9.0
9	CLS-1	4800	4800	D	17.88	3.00	14.00	14.00	6.97	3.88	8.56	5.50	11.22	22.62	6.0	7.50	2.0	29.0	14.00	27.0	10.0
10	CLS-12 4800	None	15.88	3.00	12.00	1.25
11	CLS-13	4800	4800	D	17.88	3.00	14.00	14.00	6.97	3.88	8.56	5.50	11.22	22.62	6.0	7.50	2.0	29.0	14.00	27.0	10.0
12	CLS-2	4800	4800	E	17.88	3.00	14.00	3.56	14.00	7.00	3.88	8.56	5.50	14.81	23.88	6.0	7.50	2.0	29.0	14.00	27.0	10.0
13	CLS-22 4800	None	15.88	3.00	12.00	3.31	1.25
14	CLS-23	4800	4800	E	17.88	3.00	14.00	3.56	14.00	7.00	3.88	8.56	5.50	14.81	23.88	6.0	7.50	2.0	29.0	14.00	27.0	10.0

Customer _____ Address _____ G. O. _____

P.O. Number _____ Item _____ Approval

Apparatus _____ Reference

Line No. _____ Certified _____ Date _____ Construction

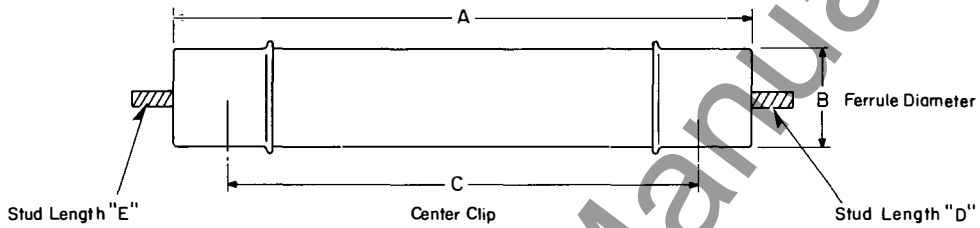
Westinghouse



High Voltage Power Fuses
Indoor Current Limiting

Types CLT (EFD), CLT-1 (EFD), CLTB
2400 to 15000 Volts, 4 to 150 Amperes

"F" Thread Size for Stud Length "D"
"G" Thread Size for Stud Length "E"



Line No.	Type	Nominal Fuse Voltage Rating	Amperes	Fuse Dimensions, Inches						
				A	B	C	D	E	F	G
1	CLT	2400	18 to 75	9.63	1.50	8.25	.50	.50	.250-20	.250-20
2	CLT	4800	8 to 25	9.63	1.50	8.25	.50	.50	.250-20	.250-20
3	CLT	7200	5 to 25	9.63	1.50	8.25	.50	.50	.250-20	.250-20
4	CLT	7200	30	11.00	1.50	9.63	.50	.50	.250-20	.250-20
5	CLT-1	2400	150	9.63	2.25	8.25	.50	.50	.250-20	.250-20
6	CLT-1	4800	30-60	9.63	2.25	8.25	.50	.50	.250-20	.250-20
7	CLT-1	7200	30	9.63	2.25	8.25	.50	.50	.250-20	.250-20
8	CLT-1	14400	4 to 18	9.63	2.25	8.25	.50	.50	.250-20	.250-20
9	CLTB	7200	10.75	1.50	9.38	.50	.50	.250-20	.250-20
10	CLTB	12000	14.81	1.50	13.44	.38	1.38	.250-28	.375-18
11	CLTB	14400	14.81	1.50	13.44	.38	1.38	.250-28	.375-18

Customer _____ Address _____ G. O. _____

P.O. Number _____ Item _____ Approval

Apparatus _____ Reference

Line No. _____ Certified _____ Date _____ Construction

Westinghouse Electric Corporation
Switchgear Division, Power Switching Equipment, East Pittsburgh, Pa.
Printed in USA

August, 1967
New Information
E, D/1971/DB