

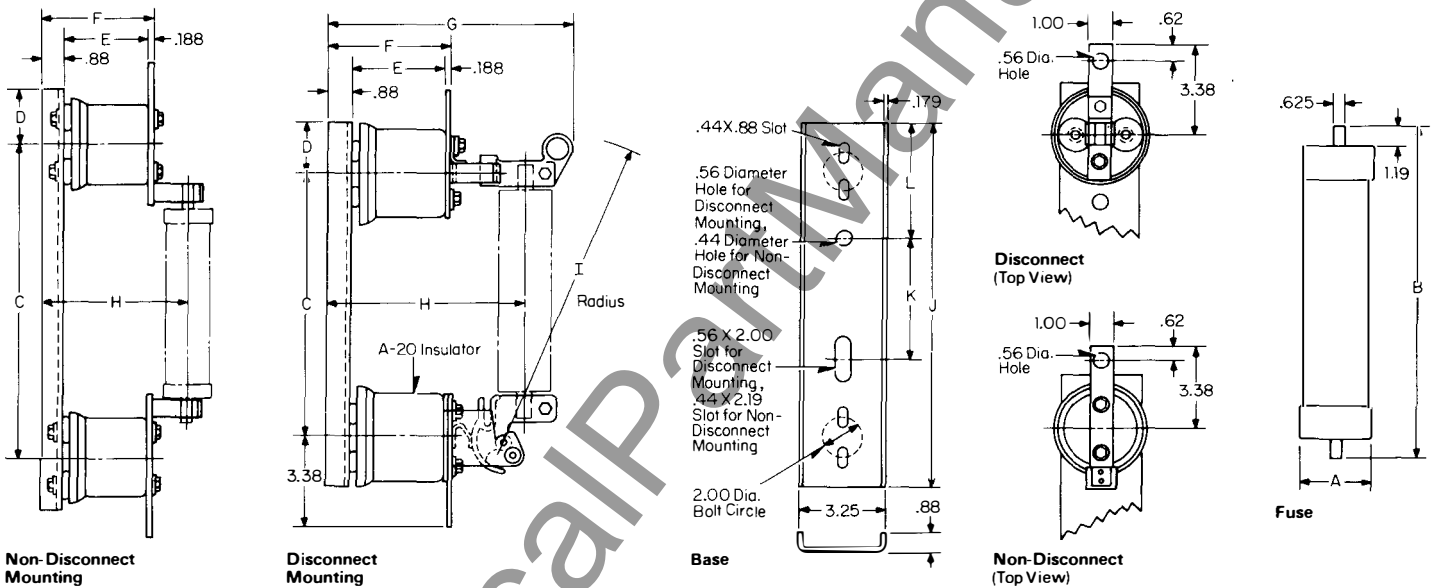


July, 1980
Supersedes 36-677 F WE A
dated October, 1975

Mailed to: E, D, C/1971/DS

High Voltage Power Fuses Type CX

Disconnect and Non-Disconnect Mounting for CX Fuses 2.4 KV to 14.5 KV 3.5C to 80C Amperes



Line No.	Fuse Mounting Style No.	KV Max Design	BIL KV	Amps	Mounting Size	Type of Mounting	Fuse Dimension Inches		Mounting Dimension Inches							Base Dimension Inches		
							A	B	C	D	E	F	G	H	I	J	K	L
1	151D884G01	5.5①	60	100	A	Non-Disc.	1.13 or 2.0	10.0	13.00	2.25	3.50	4.56	...	5.94	...	17.50	4.00	6.13
2	151D884G02	8.3②	95	100	B	Non-Disc.	1.13 or 2.0	10.0	13.00	2.25	6.00	7.06	...	8.44	...	17.50	4.00	6.13
3	151D884G03	14.5③	95	100	C	Non-Disc.	2.0	14.31	17.31	2.25	6.00	7.06	...	8.44	...	21.88	9.75	6.13
4	151D885G01	5.5①	60	100	A	Disconnect	1.13 or 2.0	10.0	10.31	1.66	3.50	4.56	9.19	7.38	12.09	13.62	4.25	4.28
5	151D885G02	8.3②	95	100	B	Disconnect	1.13 or 2.0	10.0	10.31	1.66	6.00	7.06	11.69	9.88	12.09	13.62	4.25	4.28
6	151D885G03	14.5③	95	100	C	Disconnect	2.0	14.31	14.62	1.66	6.00	7.06	11.69	9.88	16.41	17.94	8.50	4.28

① Nominal Voltage 4.8 KV
② Nominal Voltage 7.2 KV
③ Nominal Voltage 13.2 KV

Customer _____ Address _____ G.O. _____

P.O. Number _____ Item _____ Approval

Apparatus _____ Construction

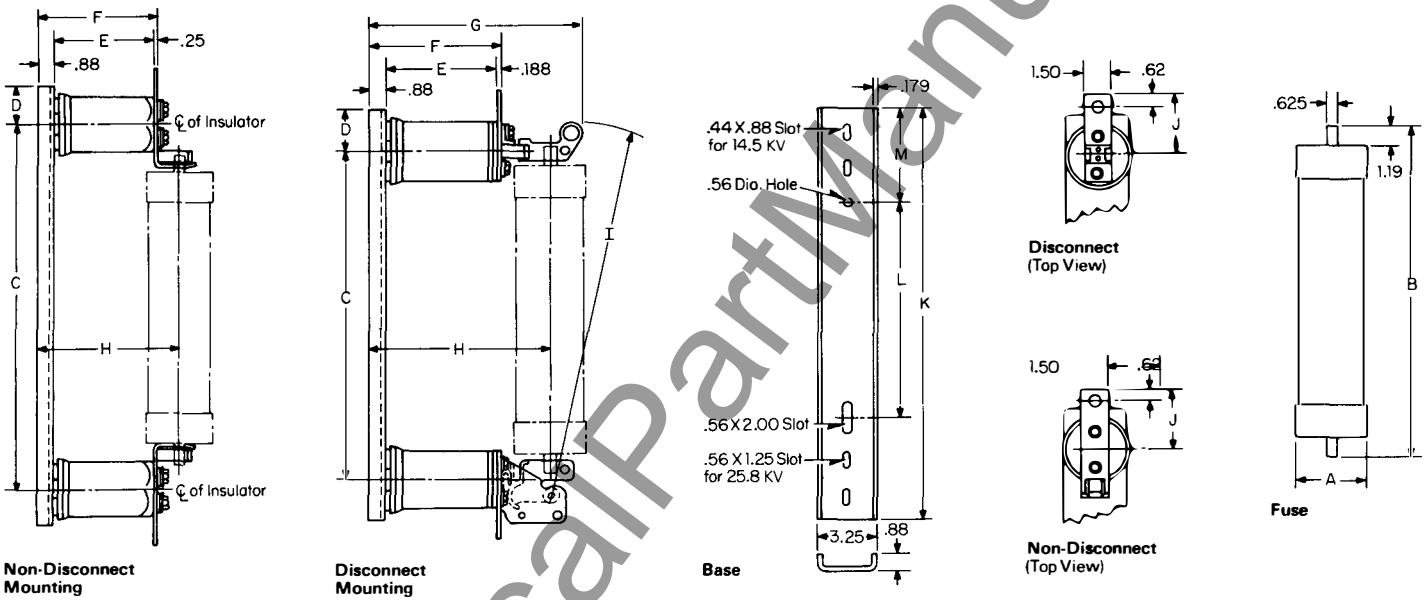
Line No. _____ Certified _____ Date _____ Other



March, 1984
 Supersedes Technical Certification Section
 36-732A, page 2, dated July, 1980
 Mailed to: E, D, C/36-600C

High Voltage Power Fuses Type CXN

Disconnect and Non-Disconnect Mounting for CXN Fuses 3.0 or 4.0 Inch Diameter 15.5 KV to 150 Amperes



Line No.	Fuse Mounting Style No.	KV Max. Design	BIL KV	Amps	Type of Mounting	Fuse Dimension Inches		Mounting Dimension Inches					Base Dimension Inches					
						A	B	C	D	E	F	G	H	I	J	K	L	M
1	9570D05G02	15.5 [Ⓢ]	95	150	Non-Disc.	3.0 or 4.0	18.84	22.25	3.00	6.00	7.00	...	8.53	...	3.37	29.34	9.75	7.25
2	9570D06G01	15.5 [Ⓢ]	95	150	Disconnect	3.0 or 4.0	18.84	18.56	3.00	6.25	7.32	11.94	10.12	21.03	4.25	24.56	9.75	7.25

[Ⓢ] Nominal Voltage 7.2/14.4 KV.

Customer _____ Address _____ G.O. _____

P.O. Number _____ Item _____ Approval

Apparatus _____ Reference

Line No. _____ Certified _____ Date _____ Construction

Other

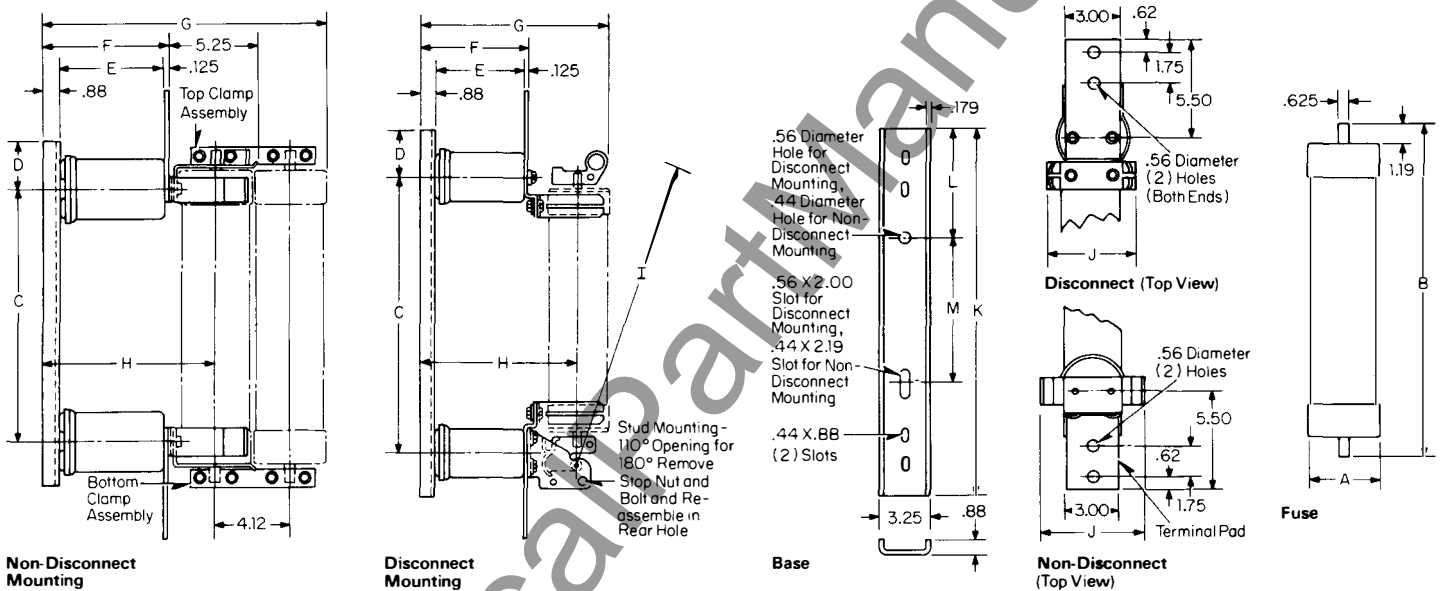


July, 1980
New Information

Mailed to: E, D, C/1971/DS

High Voltage Power Fuses Type CXN

Disconnect and Non-Disconnect Mounting for CXN Fuses 3.0 or 4.0 Inch Diameter 14.5 KV 200, 250 and 300 Amperes



Line No.	Fuse Mounting Style No.	KV [ⓐ] Max. Design	BIL KV	Amps	Type of Mounting	Fuse Dimension Inches		Mounting Dimension Inches						Base Dimension Inches				
						A	B	C	D	E	F	G	H	I	J	K	L	M
1	9570D33G01	14.5	95	300	Non-Disc.	4.0	18.84	14.00	2.25	6.00	7.00	15.93	9.81	...	5.00	19.00	6.37	4.00
2	9570D33G03	14.5	95	200	Non-Disc.	3.0	18.84	14.00	2.25	6.00	7.00	15.43	9.81	...	3.88	19.00	6.37	4.00
3	9570D34G01	14.5	95	250	Disconnect	4.0	18.84	18.56	3.00	6.00	7.00	12.05	10.24	21.03	5.50	24.56	7.25	9.75

ⓐ Nominal Voltage 7.2/13.2 KV

Customer _____ Address _____ G.O. _____

P.O. Number _____ Item _____ Approval

Apparatus _____ Construction

Line No. _____ Certified _____ Date _____ Other



July, 1980
New Information

Mailed to: E, D, C/1971/DS

High Voltage Power Fuses Type CXN

Fuse Fittings to Adapt CXN Fuses to SM-4 Mounting

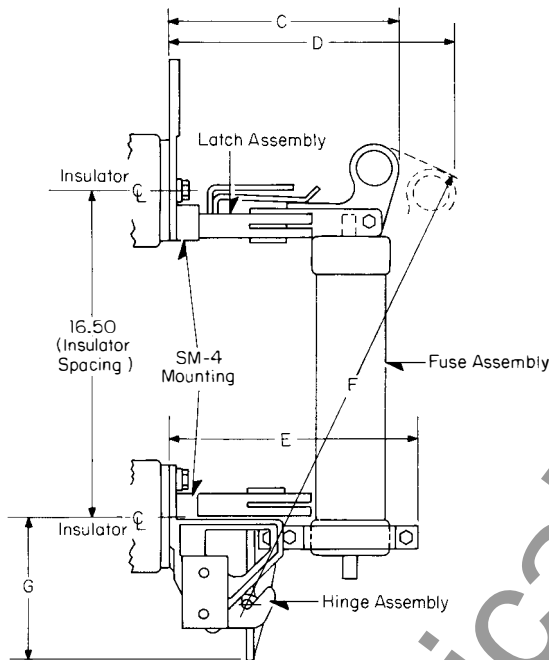


Figure 1: Fuse Assembly in SM-4 Mountings

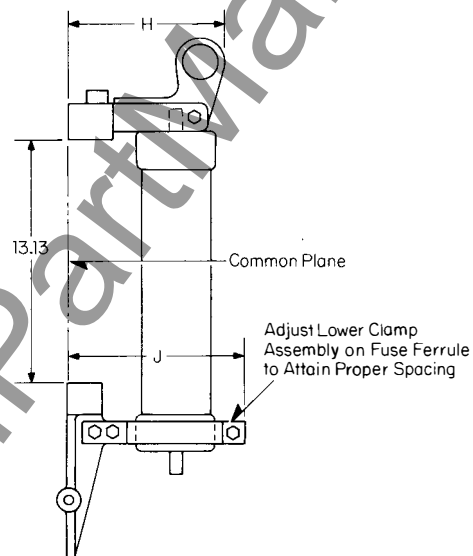


Figure 2: Fuse Assembly

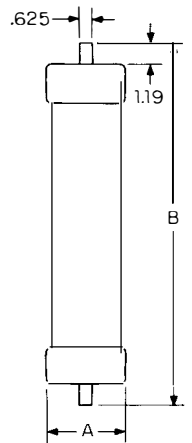


Figure 3: Fuse

Line No.	Fuse Fittings Style No.	KV Max. Design	BIL KV	Amps	Type of Mounting	Fuse Dimension Inches		Mounting Dimension Inches						
						A	B	C	D	E	F	G	H	J
1	9570D39G01	15.5	95	100	SM-4	4	18.84	10.06	25.75	10.75	23.25	6.12	6.63	7.75
2	9570D39G02	15.5	95	60	SM-4	3	18.84	10.06	25.75	10.75	23.25	6.12	6.63	7.25

Customer _____ Address _____ G.O. _____

P.O. Number _____ Item _____ Approval

Apparatus _____ Construction

Line No. _____ Certified _____ Date _____ Other