



SWITCHGEAR DEVICES

DE-ION® CURRENT-LIMITING POWER FUSES

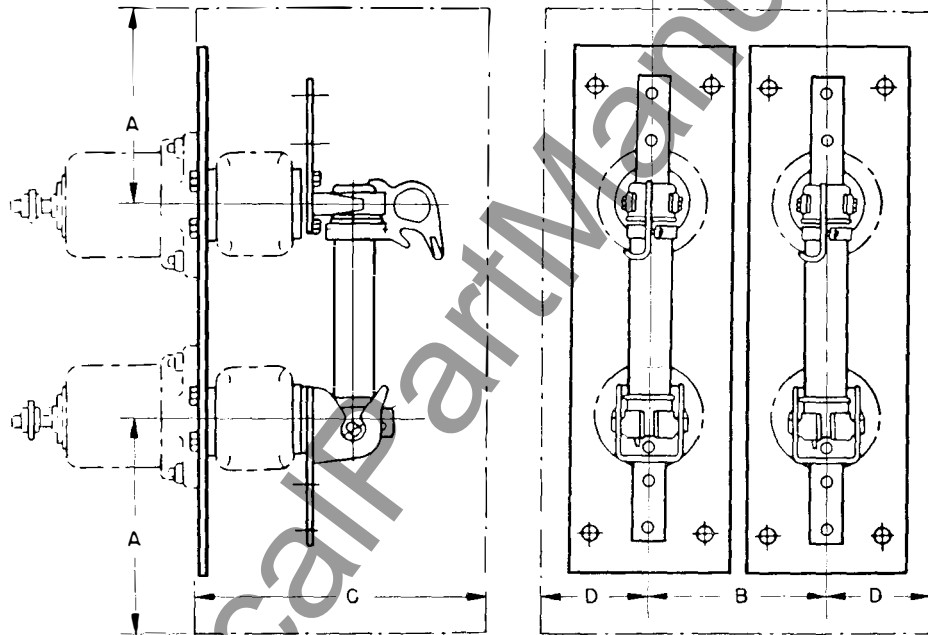
INDOOR • BORIC ACID—TYPE BAL

DIMENSION SECTION
36-340

600 TO 23000 VOLTS • 1/2E TO 200E AMPERES • 25/40 AND 50/60 CYCLES

MINIMUM MOUNTING CLEARANCES (WITH INSULATING BARRIERS)

Clearances Can Be Used For Construction Purposes.



FUSE KV	INSULATION CLASS	KV	DIMENSIONS IN INCHES				
			B	C*	C†	D	
TYPE BAL-1/2							
5	A-20 Porcelain	5.0	9	8	12 3/4	10 1/4	5 3/4
7.5	A-20 Porcelain	7.5	10	9	14 3/4	12 1/4	6 3/4
15	A-20 Porcelain	15-L	11 1/2	10 1/2	18	15 1/4	8 1/4
15	A-20 Porcelain	15-H	13	12	21	18 1/4	9 3/4
23	A-30 Porcelain	23	16 1/2	16 1/2	27	24 1/4	13 1/2
TYPE BAL-10							
5	A-20 Porcelain	5.0	9	8	12 3/4	10 1/4	5 3/4
7.5	A-20 Porcelain	7.5	10	9	14 3/4	12 1/4	6 3/4
15	A-20 Porcelain	15-L	11 1/2	10 1/2	18	15 1/4	8 1/4
15	A-20 Porcelain	15-H	13	12	21	18 1/4	9 3/4
TYPE BAL-25							
2.5	A-10 Moldarta	2.5	8	7	11	8 1/2	4 3/4
2.5	A-20 Porcelain	5.0	9	8	13	10 1/2	5 3/4
5.0	A-20 Porcelain	5.0	9	8	13 1/4	10 3/4	5 3/4
7.5	A-20 Porcelain	7.5	10	9	15 1/4	12 3/4	6 3/4
15	A-20 Porcelain	15-L	11 1/2	10 1/2	18 1/4	15 3/4	8 1/4
15	A-20 Porcelain	15-H	13	12	21 1/4	18 3/4	9 3/4
TYPE BAL-200							
2.5	A-10 Moldarta	2.5	8	7 1/2	13	10 1/4	5
2.5	A-20 Porcelain	5.0	9	8 1/2	15	12 1/4	6
5.0	A-20 Porcelain	5.0	9	8 1/2	15	12 1/4	6
5/7.5	A-20 Porcelain	7.5	10	9 1/2	17	14 1/4	7
15	A-20 Porcelain	15-L	11 1/2	11	20	17 1/4	8 1/2
15	A-20 Porcelain	15-H	13	12 1/2	23	20 1/4	10

* Disconnecting Type

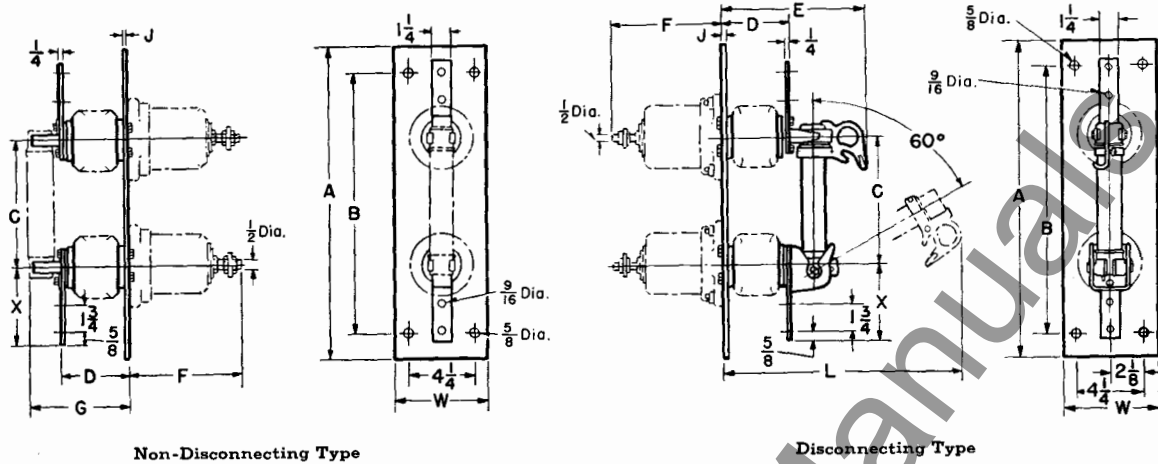
† Non-Disconnecting type.

SWITCHGEAR DEVICES
DE-ION CURRENT-LIMITING POWER FUSES
INDOOR • BORIC ACID-TYPE BAL



OUTLINE DIMENSIONS IN INCHES—TYPE BAL-½ FUSE MOUNTINGS

Approximate Only. Do Not Use for Construction Purposes.

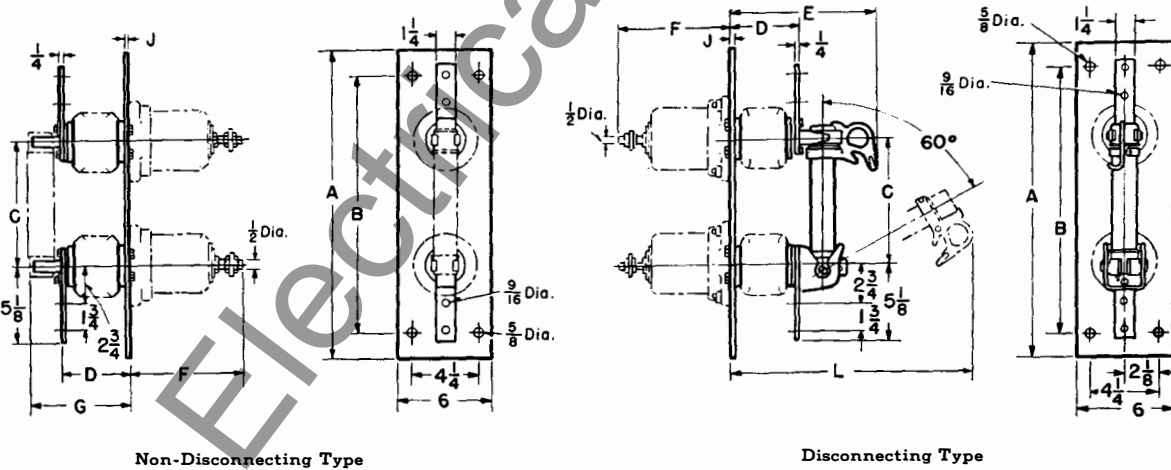


FUSE KV	INSULATION CLASS	KV	DIMENSIONS IN INCHES													
			A	B	C	D*	D†	E*	E†	F	G*	G†△	J	L	W	X
5	A-20 Porcelain	5	23	21	8 1/8	4	4 1/4	9 1/16	9 9/16	8 3/16	6 7/16	6 11/16	1/4	15 1/4	6	5 1/8
7.5	A-20 Porcelain	7.5	23	21	8 1/8	5	5 1/4	10 1/16	10 3/16	9 9/16	7 7/16	7 11/16	1/4	16 1/4	6	5 1/8
15	A-20 Porcelain	15-L	27	25	11 1/2	6 3/8	6 3/8	11 1/16	11 5/16	11 1/4	9 1/16	9 5/16	3/8	20 3/4	6	5 1/8
15	A-20 Porcelain	15-H	27	25	11 1/2	8 1/8	8 3/8	13 3/16	13 7/16	12 7/8	10 9/16	10 13/16	3/8	22 1/4	6	5 1/8
23	A-30 Porcelain	23	33	31	16 1/8	11 1/8	11 3/8	16 7/16	16 7/16	16 1/8	13 3/16	13 3/16	3/8	29 3/8	7 1/8	5 7/8

* When both terminals are front connected.
† When one terminal is front connected and one rear connected.
△ When both terminals are rear connected.

OUTLINE DIMENSIONS IN INCHES—TYPE BAL-10 FUSE MOUNTINGS

Approximate Only. Do Not Use for Construction Purposes.



FUSE KV	INSULATION CLASS	KV	DIMENSIONS IN INCHES													
			A	B	C	D*	D†	E*	E†	F	G*	G†△	J	L		
5	A-20 Porcelain	5	23	21	8 1/8	4	4 1/4	9 1/16	9 9/16	8 3/16	6 7/16	6 11/16	1/4	15 1/4		
7.5	A-20 Porcelain	7.5	27	25	11 1/2	5	5 1/4	10 1/16	10 3/16	9 9/16	7 7/16	7 11/16	3/8	19 1/4		
15	A-20 Porcelain	15-L	31	29	16 1/8	6 3/8	6 3/8	11 1/16	11 5/16	11 1/4	8 1/16	8 5/16	3/8	24 3/4		
15	A-20 Porcelain	15-H	31	29	16 1/8	8 1/8	8 3/8	13 3/16	13 7/16	12 7/8	10 9/16	10 13/16	3/8	26 1/4		

* When both terminals are front connected.
† When one terminal is front connected and one rear connected.
△ When both terminals are rear connected.

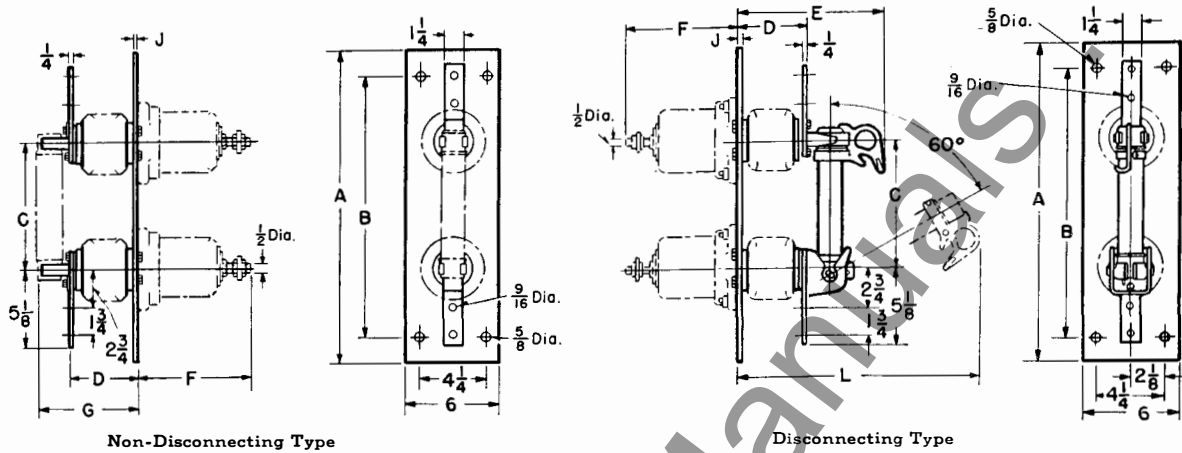


SWITCHGEAR DEVICES
DE-ION CURRENT-LIMITING POWER FUSES
INDOOR • BORIC ACID—TYPE BAL

DIMENSION SECTION
36-340

OUTLINE DIMENSIONS IN INCHES—TYPE BAL-25 FUSE MOUNTINGS

Approximate Only. Do Not Use for Construction Purposes.

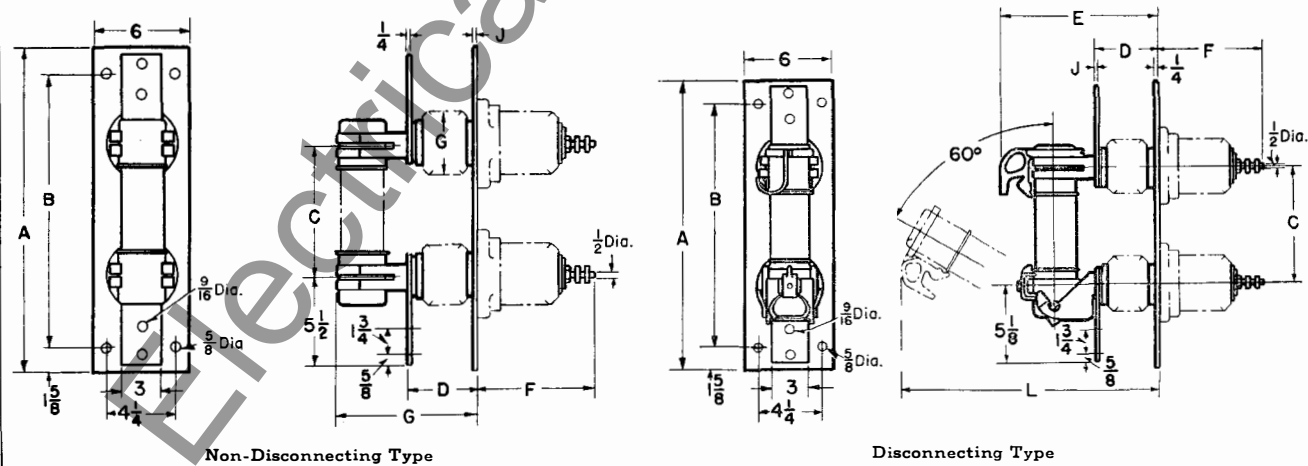


FUSE KV	INSULATION CLASS	KV	DIMENSIONS IN INCHES												
			A	B	C	D*	D†	E*	E†	F	G*	G†△	J	L	
2.5	A-10 Moldarta	2.5	20	18	8 7/8	3	3 1/4	8 1/4	8 1/2	5 3/16	5 3/4	6	1/4	14 5/8	
2.5	A-20 Porcelain	5	23	21	8 3/8	4	4 1/4	9 1/4	9 1/2	8 3/16	6 3/4	7	1/4	15 3/8	
5	A-20 Porcelain	5	27	25	11 1/2	4 1/8	4 3/4	9 3/8	9 5/8	8 3/16	6 7/8	7 1/2	3/8	18 3/4	
7.5	A-20 Porcelain	7.5	29	27	14	5 1/8	5 3/4	10 1/2	10 3/4	9 1/2	7 7/8	8 1/2	3/8	22	
15	A-20 Porcelain	15-L	35	33	20	6 3/8	6 7/8	12	12 1/4	11 1/2	9 3/8	9 5/8	3/8	28 1/2	
15	A-20 Porcelain	15-H	35	33	20	8 1/8	8 3/8	13 1/2	13 3/4	12 7/8	10 7/8	11 1/8	3/8	30	

* When both terminals are front connected.
† When one terminal is front connected and one rear connected.
△ When both terminals are rear connected.

OUTLINE DIMENSIONS IN INCHES—TYPE BAL-200 FUSE MOUNTINGS

Approximate Only. Do Not Use for Construction Purposes.



FUSE KV	INSULATION CLASS	KV	DIMENSIONS IN INCHES												
			A	B	C	D*	D†	E*	E†	F	G*	G†△	J	L	
2.5	A-10 Moldarta	2.5	19	17	7	3	3 1/4	10 7/8	10 3/4	5 3/16	7 3/8	7 3/8	1/4	15 3/8	
2.5	A-20 Porcelain	5	22	20	7	4	4 1/4	11 1/8	11 3/8	8 9/16	8 3/8	8 3/8	1/4	16 3/8	
5	A-20 Porcelain	5	29	27	14	4	4 1/4	11 1/4	11 1/2	8 9/16	8 1/2	8 3/4	3/8	22 3/8	
5/7.5	A-20 Porcelain	7.5	29	27	14	5	5 1/4	12 1/4	12 1/2	9 1/2	9 1/2	9 3/4	3/8	23 3/8	
15	A-20 Porcelain	15-L	35	33	20	6 3/8	6 7/8	13 3/4	14	11 1/4	11	11 1/4	3/8	30 3/4	
15	A-20 Porcelain	15-H	35	33	20	8 1/8	8 3/8	15 1/4	15 1/2	12 7/8	12 1/2	12 3/4	3/8	32 1/2	

* When both terminals are front connected.
† When one terminal is front connected and one rear connected.
△ When both terminals are rear connected.

SWITCHGEAR DEVICES
DE-ION CURRENT-LIMITING POWER FUSES
 INDOOR • BORIC ACID—TYPE BAL



OUTLINE DIMENSIONS IN INCHES—TYPE BAL FUSE UNITS

Approximate Only. Do Not Use for Construction Purposes.

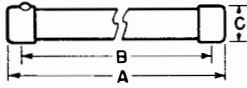


Figure 1

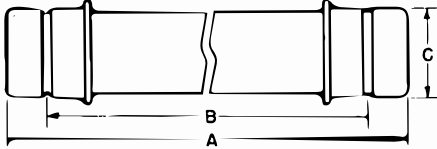


Figure 2

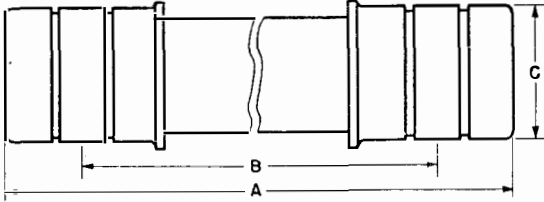
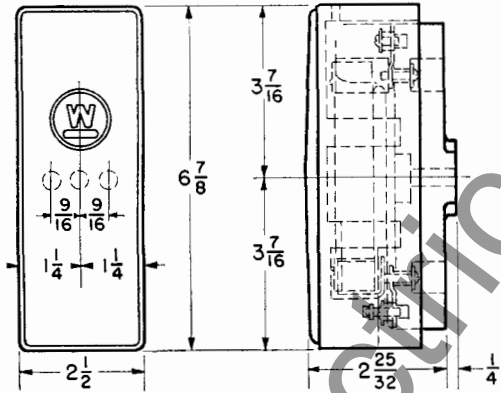


Figure 3

TYPE	EQUIPMENT VOLTAGE	FIGURE NUMBER	DIMENSIONS IN INCHES		
			A	B	C
For use with Fuse Block	600*	1	4 ⁵ / ₈	4 ¹ / ₁₆	1 ³ / ₁₆
BAL-1/2	2500*	1	4 ⁵ / ₈	4 ¹ / ₁₆	1 ³ / ₁₆
	5000	2	9 ¹ / ₂	8 ¹ / ₈	1 ⁵ / ₈
	7500	2	9 ¹ / ₂	8 ¹ / ₈	1 ⁵ / ₈
	15000	2	12 ⁷ / ₈	11 ¹ / ₂	1 ⁵ / ₈
	23000	2	17 ¹ / ₂	16 ¹ / ₈	1 ⁵ / ₈
BAL-10	5000	2	9 ¹ / ₂	8 ¹ / ₈	1 ⁵ / ₈
	7500	2	12 ⁷ / ₈	11 ¹ / ₂	1 ⁵ / ₈
	15000	2	17 ¹ / ₂	16 ¹ / ₈	1 ⁵ / ₈
BAL-25	2500	2	9 ¹ / ₂	8 ¹ / ₈	2
	5000	2	12 ⁷ / ₈	11 ¹ / ₂	2
	7500	2	15 ¹ / ₂	14	2
	15000	2	21 ¹ / ₂	20	2
BAL-200	2500	3	10 ⁷ / ₈	7	3
	5000	3	17 ⁷ / ₈	14	3
	7500	3	17 ⁷ / ₈	14	3
	15000	3	23 ⁷ / ₈	20	3

* For use with fuse block.

OUTLINE DIMENSIONS IN INCHES—600-2500 FUSE BLOCK WITH COVER



LITERATURE REFERENCE

DESCRIPTION—See Descriptive Bulletin 36-340.

PRICES—See Price List 36-340.

APPLICATION—For time-current characteristics, see Descriptive Bulletin 36-340.

WESTINGHOUSE ELECTRIC CORPORATION
 EAST PITTSBURGH PLANT • SWITCHGEAR DIVISION • EAST PITTSBURGH, PA.

Printed in U.S.A.