

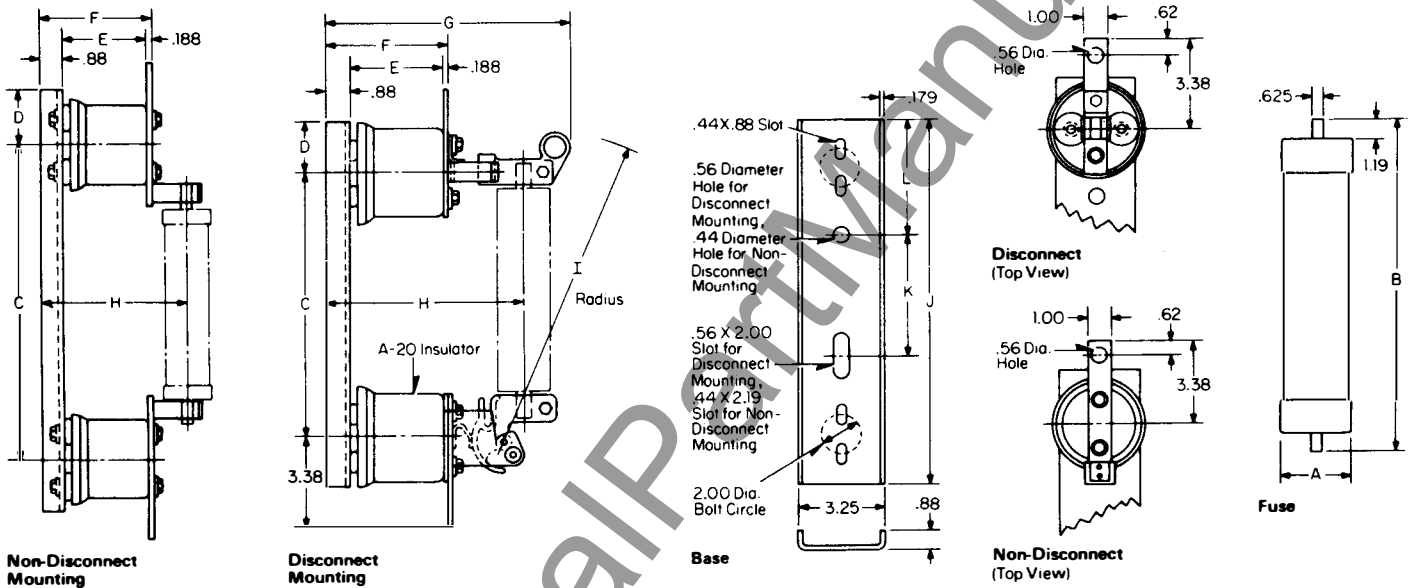


September 1990  
 Supersedes TCS 36-712, pages 3-4,  
 dated November 1984  
 Mailed to: E, D, C/36-600A, B, C

Indoor Type  
 4.8 to 13.2 kV  
 Disconnect and Non-Disconnect

# Types CLE, CX, CXN and CLS Fuse Mountings

## Type CX Disconnect and Non-Disconnect Mounting – 4.8 to 13.2 kV



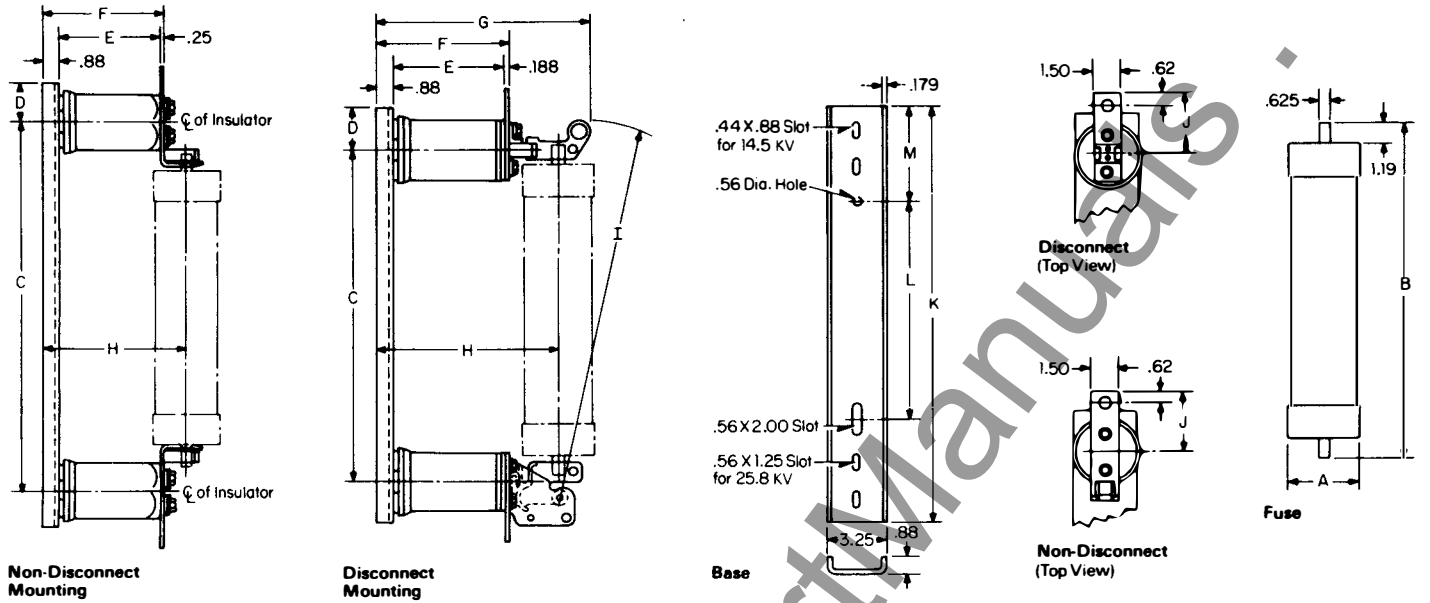
Line No.	Fuse Mounting Style No.	kV Max Design	BIL kV	Amps	Mounting Size	Type of Mounting	Fuse Dimension Inches		Mounting Dimensions Inches							Base Dimension Inches		
							A	B	C	D	E	F	G	H	I	J	K	L
1	151D884G01	5.5①	60	100	A	Non-Disc	1.13 or 2.0	10.0	13.00	2.25	3.50	4.56	.....	5.94	.....	17.50	4.00	6.13
2	151D884G02	8.3②	95	100	B	Non-Disc	1.13 or 2.0	10.0	13.00	2.25	6.00	7.06	.....	8.44	.....	17.50	4.00	6.13
3	151D884G03	14.5③	95	100	C	Non-Disc	2.0	14.31	17.31	2.25	6.00	7.06	.....	8.44	.....	21.88	9.75	6.13
4	151D885G01	5.5①	60	100	A	Disconnect	1.13 or 2.0	10.0	10.31	1.66	3.50	4.56	9.19	7.38	12.09	13.62	4.25	4.28
5	151D885G02	8.3②	95	100	B	Disconnect	1.13 or 2.0	10.0	10.31	1.66	6.00	7.06	11.69	9.88	12.09	13.62	4.25	4.28
6	151D885G03	14.5③	95	100	C	Disconnect	2.0	14.31	14.62	1.66	6.00	7.06	11.69	9.88	16.41	17.94	8.50	4.28

① Nominal Voltage 4.8 kV  
 ② Nominal Voltage 7.2 kV  
 ③ Nominal Voltage 13.2 kV

Customer \_\_\_\_\_ P.O. Number \_\_\_\_\_  
 G.O. Number \_\_\_\_\_ Item Number \_\_\_\_\_  
 Certified \_\_\_\_\_ Date \_\_\_\_\_



**Types CLE, CX, CXN and CLS Fuse Mountings**  
**Type CXN Disconnect and Non-Disconnect Mounting – 7.2 to 13.2 kV Below 200 Amps**



Line No.	Fuse Mounting Style No.	kV Max. Design	BIL kV	Amps	Type of Mounting	Fuse Dimension Inches		Mounting Dimension Inches							Base Dimension Inches			
						A	B	C	D	E	F	G	H	I	J	K	L	M
1	9570D05G02	14.5 <sup>ⓐ</sup>	95	150	Non-Disc.	3.0 or 4.0	18.84	22.25	3.00	6.00	7.00	...	8.53	...	3.37	29.34	9.75	7.25
3	9570D06G01	14.5 <sup>ⓐ</sup>	95	150	Disconnect	3.0 or 4.0	18.84	18.56	3.00	6.25	7.32	11.94	10.12	21.03	4.25	24.56	9.75	7.25

<sup>ⓐ</sup> Nominal Voltage 7.2/13.2 kV

Customer \_\_\_\_\_ P.O. Number \_\_\_\_\_  
 G.O. Number \_\_\_\_\_ Item Number \_\_\_\_\_  
 Certified \_\_\_\_\_ Date \_\_\_\_\_

Westinghouse Electric Corporation  
 Distribution and Control Business Unit  
 Construction Equipment Division  
 Pittsburgh, Pennsylvania, U.S.A. 15220

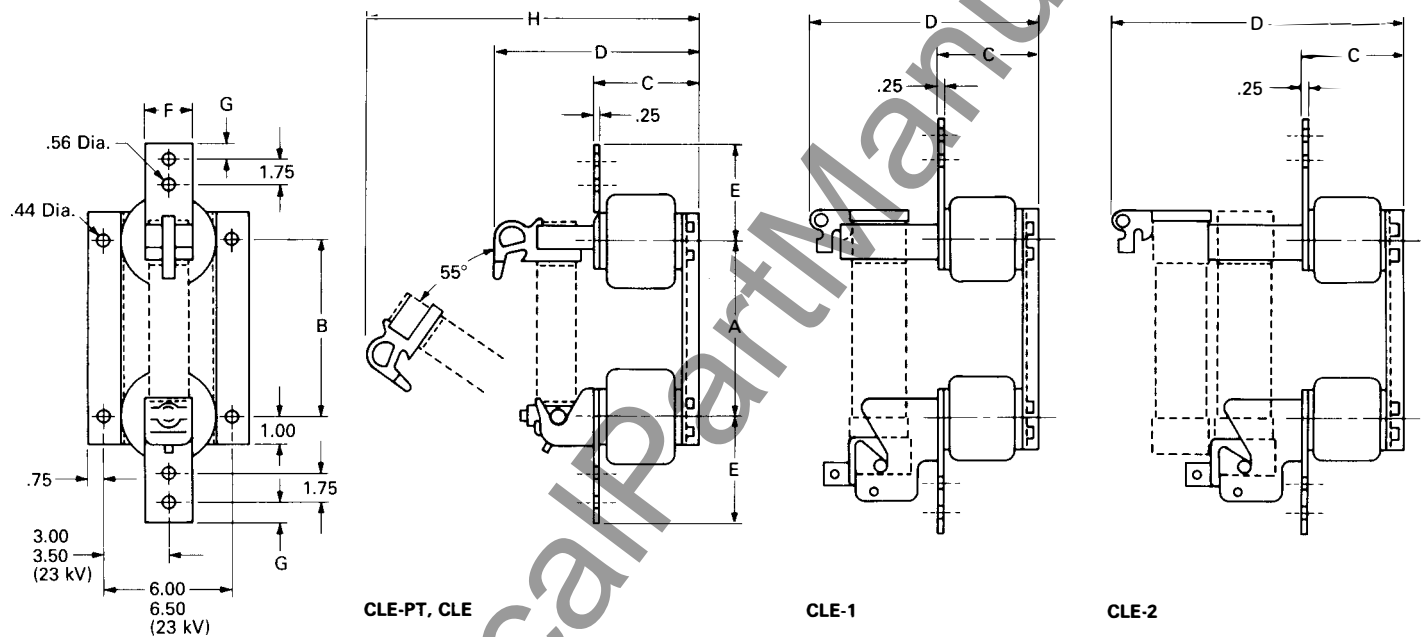


November, 1984  
 Supersedes TCS 36-712A, pages 1-6  
 dated April, 1980, and TCS 36-732A  
 page 1 dated July, 1980  
 Mailed to: E, D, C/36-600A

Indoor Type  
 2.4 to 23 kV  
 Disconnect and Non-Disconnect

# Types CLE, CX, CXN and CLS Fuse Mountings

## Type CLE Disconnect Mounting – 2.4 to 23 kV, 55° Opening

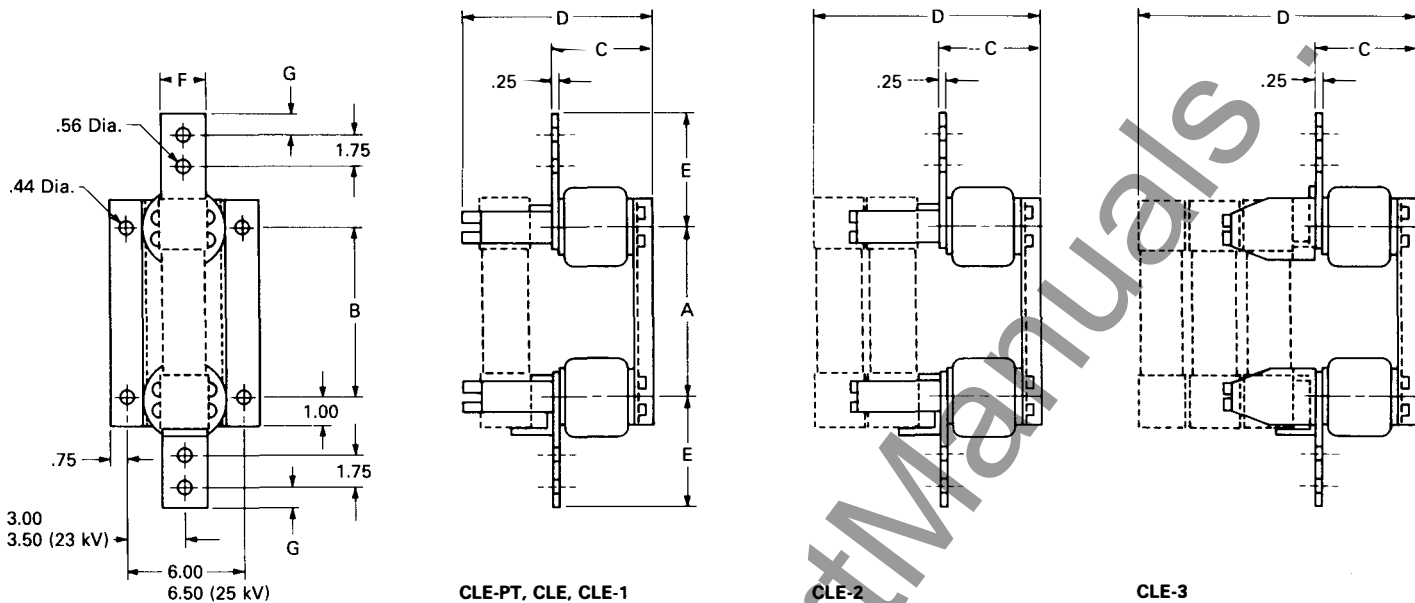


Line No.	Type of Fuses	Nominal Fuse kV Rating	Nominal Insulator kV Rating	Mtg. Size	Mounting Dimensions, Inches								Recom. Phase Spacing, Inches
					A	B	C	D	E	F	G	H	
1	CLE	2.4	4.8	C	8.13	9.37	4.50	9.75	5.25	2.00	.75	15.88	8.0
2	CLE-1	2.4	4.8	D	7.00	8.24	4.50	11.72	5.50	3.00	.62	18.73	9.0
3	CLE-2	2.4	4.8	E	7.00	8.24	4.50	15.28	5.50	3.00	.62	20.79	9.0
4	CLE-PT	4.8	4.8	A	8.13	9.37	4.50	9.56	5.25	2.00	.75	15.50	8.0
5	CLE-PT	4.8	4.8	B	8.13	9.37	4.50	9.56	5.25	2.00	.75	15.50	8.0
6	CLE	4.8	4.8	C	11.50	12.74	4.50	9.75	5.25	2.00	.75	18.88	9.0
7	CLE-1	4.8	4.8	D	14.00	15.24	4.50	11.72	5.50	3.00	.62	24.59	10.0
8	CLE-2	4.8	4.8	E	14.00	15.24	4.50	15.28	5.50	3.00	.62	26.53	10.0
9	CLE-PT	7.2	13.8	A	8.13	9.37	7.00	12.06	5.25	2.00	.75	18.00	10.0
10	CLE-PT	7.2	13.8	B	11.50	12.74	7.00	12.06	5.25	2.00	.75	20.88	10.0
11	CLE	7.2	13.8	C	14.00	15.24	7.00	12.37	5.25	2.00	.75	23.68	10.0
12	CLE-1	7.2	13.8	D	14.00	15.24	7.00	14.22	5.50	3.00	.62	27.09	12.0
13	CLE-2	7.2	13.8	E	14.00	15.24	7.00	17.70	5.50	3.00	.62	29.03	12.0
14	CLE-PT	14.4	13.8	A	11.50	12.74	7.00	12.06	5.25	2.00	.75	20.88	11.0
15	CLE-PT	14.4	13.8	B	16.13	17.46	7.00	12.06	5.25	2.00	.75	24.88	11.0
16	CLE	14.4	13.8	C	20.00	21.24	7.00	12.37	5.25	2.00	.75	28.63	12.0
17	CLE-1	13.2	13.8	D	20.00	21.15	7.00	14.22	5.50	3.00	.62	31.90	13.0
18	CLE-PT	14.4	14.4	A	11.50	12.74	8.50	13.56	5.25	2.00	.75	22.38	13.0
19	CLE-PT	14.4	14.4	B	16.13	17.46	8.50	13.56	5.25	2.00	.75	26.38	13.0
20	CLE	14.4	14.4	C	20.00	21.24	8.50	13.87	5.25	2.00	.75	30.13	13.0
21	CLE-1	14.4	14.4	D	20.00	21.15	8.50	15.72	5.50	3.00	.62	33.40	15.0
22	CLE-2	14.4	14.4	E	20.00	21.15	8.50	19.28	5.50	3.00	.62	35.46	15.0
23	CLE-PT	23.0	23.0	A	16.12	19.12	12.00	17.06	5.25	2.00	.75	29.75	17.0

Customer \_\_\_\_\_ P.O. Number \_\_\_\_\_  
 G.O. Number \_\_\_\_\_ Item Number \_\_\_\_\_  
 Certified \_\_\_\_\_ Date \_\_\_\_\_



**Types CLE, CX, CXN and CLS Fuse Mountings**  
**Type CLE Non-Disconnect Mounting - 2.4 to 23 kV**



Line No.	Type of Fuse	Nominal Fuse kV Rating	Nominal Insulator kV Rating	Mtg. Size	Mounting Dimensions, Inches							Recom. Phase Spacing, Inches
					A	B	C	D	E	F	G	
1	CLE	2.4	4.8	C	8.13	9.37	4.50	7.25	5.25	2.00	.75	8.0
2	CLE-1	2.4	4.8	D	7.00	8.24	4.50	8.79	5.50	3.00	.62	9.0
3	CLE-2	2.4	4.8	E	7.00	8.24	4.50	12.48	5.50	3.00	.62	9.0
4	CLE-PT	4.8	4.8	A	8.13	9.37	4.50	6.94	5.25	2.00	.75	8.0
5	CLE-PT	4.8	4.8	B	8.13	9.37	4.50	6.94	5.25	2.00	.75	8.0
6	CLE	4.8	4.8	C	11.50	12.74	4.50	7.25	5.25	2.00	.75	9.0
7	CLE-1	4.8	4.8	D	14.00	15.24	4.50	8.79	5.50	3.00	.62	10.0
8	CLE-2	4.8	4.8	E	14.00	15.24	4.50	12.48	5.50	3.00	.62	10.0
9	CLE-PT	7.2	13.8	A	8.13	9.37	7.00	9.44	5.25	2.00	.75	10.0
10	CLE-PT	7.2	13.8	B	11.50	12.74	7.00	9.44	5.25	2.00	.75	10.0
11	CLE	7.2	13.8	C	14.00	15.24	7.00	9.75	5.25	2.00	.75	10.0
12	CLE-1	7.2	13.8	D	14.00	15.24	7.00	11.29	5.50	3.00	.62	12.0
13	CLE-2	7.2	13.8	E	14.00	15.24	7.00	14.98	5.50	3.00	.62	12.0
14	CLE-PT	14.4	13.8	A	11.50	12.74	7.00	9.44	5.25	2.00	.75	11.0
15	CLE-PT	14.4	13.8	B	16.13	17.46	7.00	9.44	5.25	2.00	.75	11.0
16	CLE	14.4	13.8	C	20.00	21.24	7.00	9.75	5.25	2.00	.75	12.0
17	CLE-1	13.2	13.8	D	20.00	21.15	7.00	11.29	5.50	3.00	.62	13.0
18	CLE-PT	14.4	14.4	A	11.50	12.74	8.50	10.94	5.25	2.00	.75	13.0
19	CLE-PT	14.4	14.4	B	16.13	17.46	8.50	10.94	5.25	2.00	.75	13.0
20	CLE	14.4	14.4	C	20.00	21.24	8.50	11.25	5.25	2.00	.75	13.0
21	CLE-1	14.4	14.4	D	20.00	21.15	8.50	12.79	5.50	3.00	.62	15.0
22	CLE-2	14.4	14.4	E	20.00	21.15	8.50	16.48	5.50	3.00	.62	15.0
23	CLE-3	14.4	14.4	-	20.00	21.15	8.50	20.62	5.50	3.00	.62	15.0
24	CLE-PT	23.0	23.0	A	16.12	19.12	12.00	14.43	5.25	2.00	.75	17.0

Customer \_\_\_\_\_ P.O. Number \_\_\_\_\_

G.O. Number \_\_\_\_\_ Item Number \_\_\_\_\_

Certified \_\_\_\_\_ Date \_\_\_\_\_

Westinghouse Electric Corporation  
 Distribution and Protection Business Unit  
 Commercial Division - Components  
 Sumter, SC 29150

Printed in USA

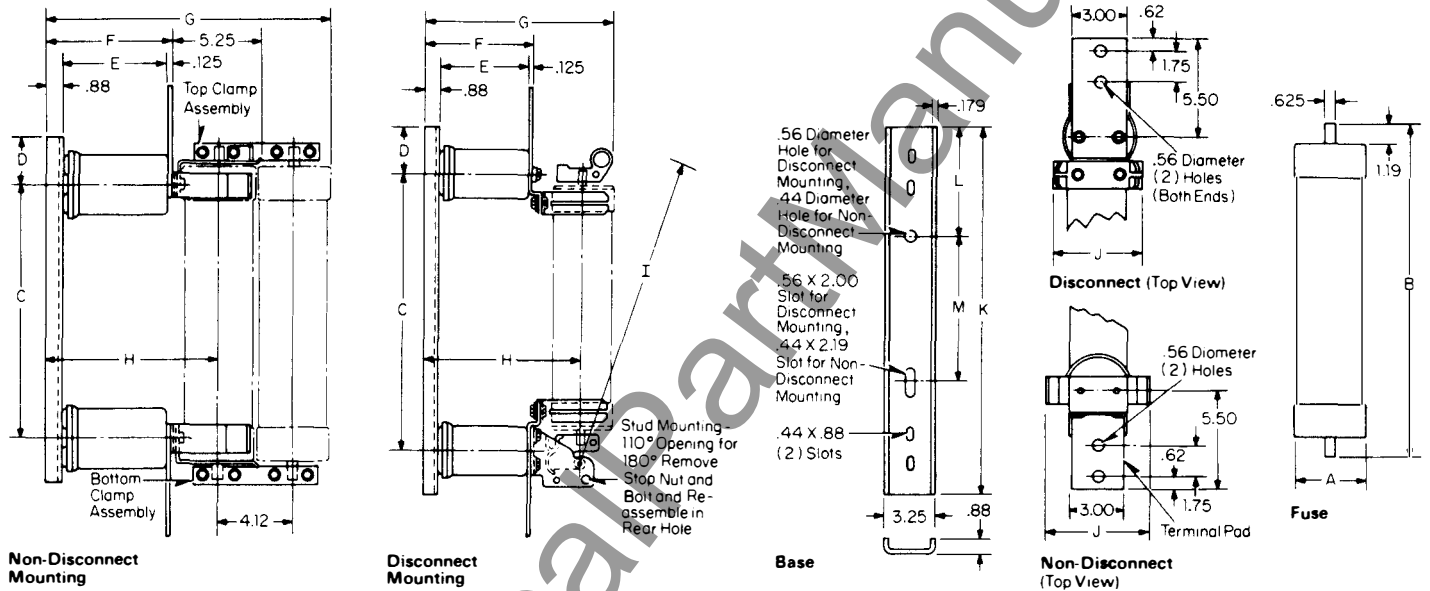


November, 1984  
 Supersedes TCS 36-712A, pages 1-6  
 dated April, 1980, and TCS 36-732A  
 page 1 dated July, 1980  
 Mailed to: E, D, C/36-600A

Indoor Type  
 2.4 to 23 kV  
 Disconnect and Non-Disconnect

# Types CLE, CX, CXN and CLS Fuse Mountings

## Type CXN Disconnect and Non-Disconnect Mounting - 7.2 to 13.2 kV, 200 Amps and Above 3.0 or 4.0 Inch Diameter 14.5 kV 200, 250 and 300 Amperes



Line No.	Fuse Mounting Style No.	KV <sup>Ⓞ</sup> Max. Design	BIL KV	Amps	Type of Mounting	Fuse Dimension Inches		Mounting Dimension Inches							Base Dimension Inches			
						A	B	C	D	E	F	G	H	I	J	K	L	M
1	9570D33G01	14.5	95	300	Non-Disc.	4.0	18.84	14.00	2.25	6.00	7.00	15.93	9.81	5.00	19.00	6.37	4.00	
2	9570D33G03	14.5	95	200	Non-Disc.	3.0	18.84	14.00	2.25	6.00	7.00	15.43	9.81	3.88	19.00	6.37	4.00	
3	9570D34G01	14.5	95	250	Disconnect	4.0	18.84	18.56	3.00	6.00	7.00	12.05	10.24	21.03	5.50	24.56	7.25	9.75

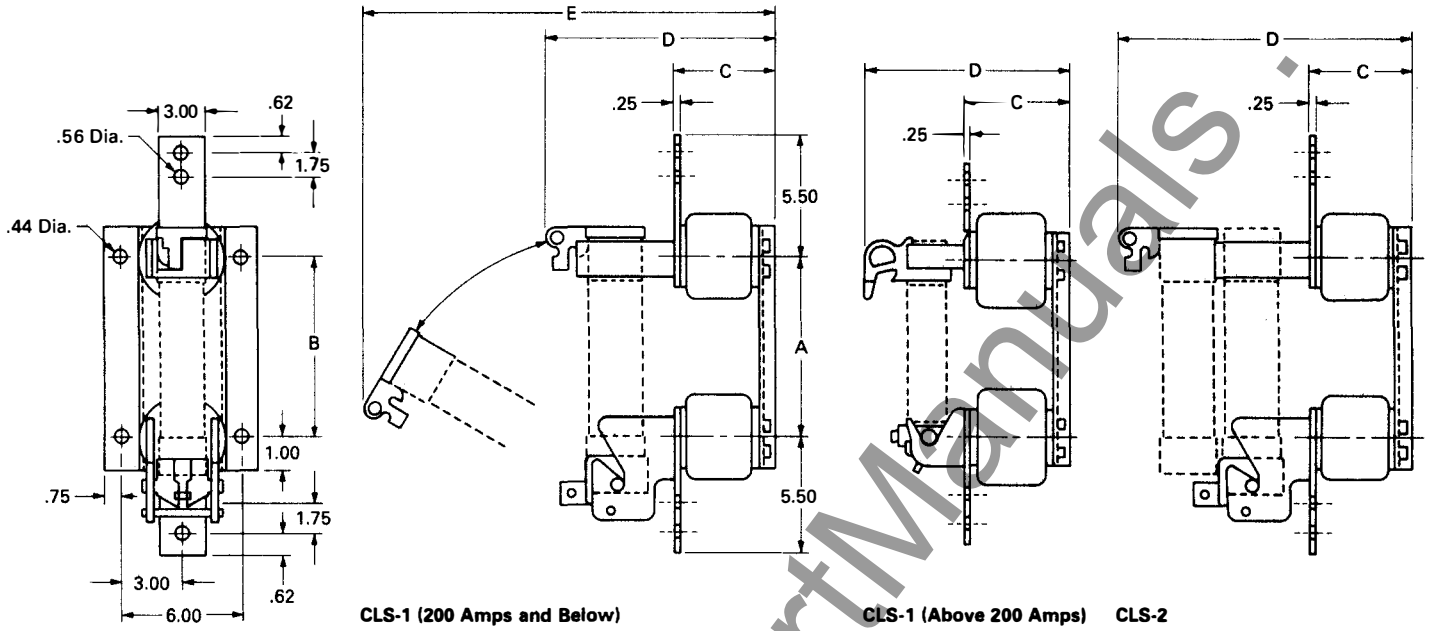
Ⓞ Nominal Voltage 7.2/13.2KV

Customer \_\_\_\_\_  
 G.O. Number \_\_\_\_\_  
 Certified \_\_\_\_\_

P.O. Number \_\_\_\_\_  
 Item Number \_\_\_\_\_  
 Date \_\_\_\_\_



**Types CLE, CX, CXN and CLS Fuse Mountings**  
**Type CLS Disconnect Mounting – 2.4 to 4.8 kV**



Line No.	Type of Fuse	Nominal Fuse kV Rating	Nominal Insulator kV Rating	Mtg. Size	Mounting Dimensions, Inches					Recommended Phase Spacing, Inches
					A	B	C	D	E	
1	CLS-1	2.4	4.8	D	7	8.24	4.50	11.72	18.73	9.0
2	CLS-2	2.4	4.8	E	7	8.24	4.50	15.28	20.79	9.0
3	CLS-1	4.8	4.8	D	14	15.24	4.50	11.72	24.59	10.0
4	CLS-2	4.8	4.8	E	14	15.24	4.50	15.28	26.53	10.0
5	CLS-1	4.8	13.8	D	14	15.24	7.00	14.22	27.09	12.0
6	CLS-2	4.8	13.8	E	14	15.24	7.00	17.78	29.03	12.0

Customer \_\_\_\_\_ P.O. Number \_\_\_\_\_  
 G.O. Number \_\_\_\_\_ Item Number \_\_\_\_\_  
 Certified \_\_\_\_\_ Date \_\_\_\_\_

Westinghouse Electric Corporation  
 Distribution and Protection Business Unit  
 Commercial Division – Components  
 Sumter, SC 29150