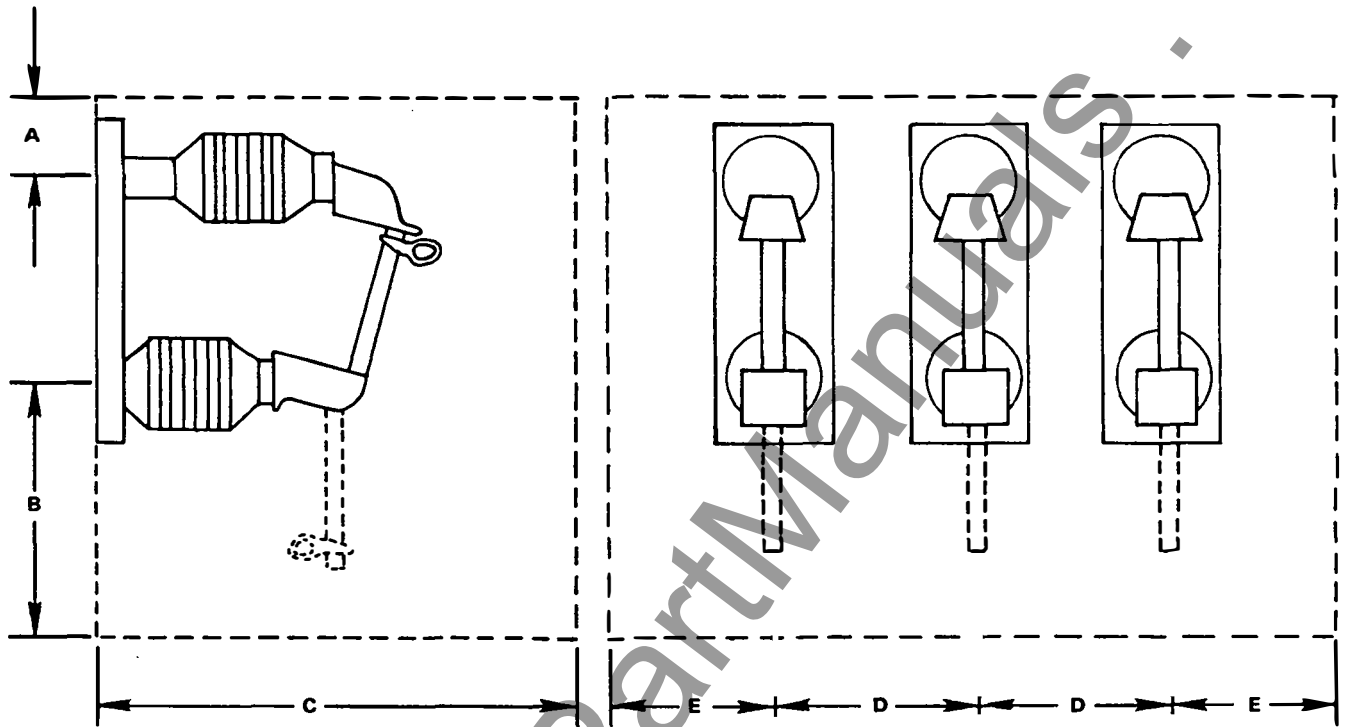


STATION — VERTICAL-OFFSET STYLE MOUNTINGS



Rating				Mounting Clearances, Inches						
Nominal	Kv Max Des.	BIL	Amperes, Max	A	B ^①	B ^②	C	D ^③	D ^④	E
14.4	17.0	110	200E or 200K	10½	26½	29	44½	17	19	14
25	27	150	200E or 200K	14½	33½	37	53½	20	23	17
34.5	38	200	200E or 200K	19	49½	53	72½	25	28	22

① Clearance to grounded objects when the source is connected to the main-contact end.

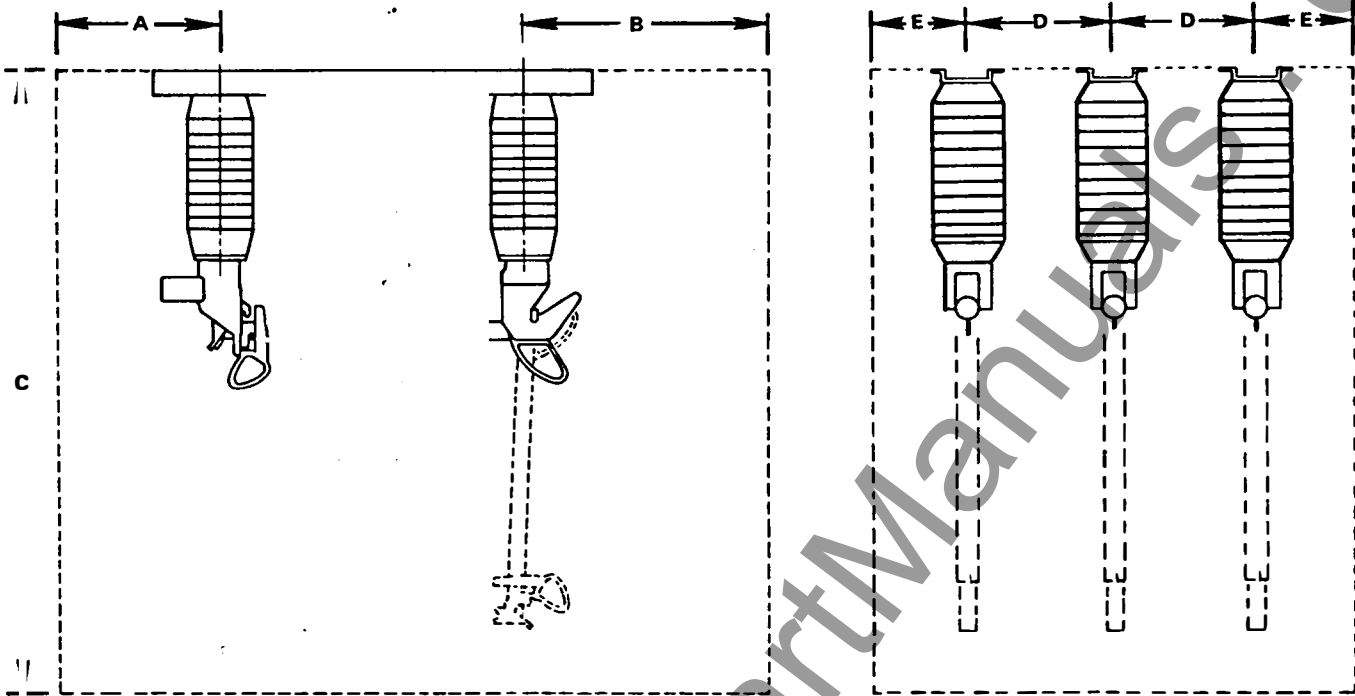
② Clearance to other phases or low-voltage bus when the source is connected to the main-contact end, or clearance to grounded objects or other phases when the source is connected to the hinge end.

③ Phase spacing when the source is connected to the main-contact end.

④ Phase spacing when the source is connected to the hinge end.



STATION — INVERTED STYLE MOUNTINGS



Rating				Mounting Clearances, Inches							
Nominal	Kv Max Des.	BIL	Amperes, Max	A	B ^①	B ^②	C	D ^①	D ^②	E	
14.4	17.0	110	200E or 200K	12	26½	29	43½	17	19	14	
25	27	150	200E or 200K	16	34	37½	55	20	23	17	
34.5	38	200	200E or 200K	20½	44	47½	69	25	28	22	

① Clearance to grounded objects when the source is connected to the main-contact end.

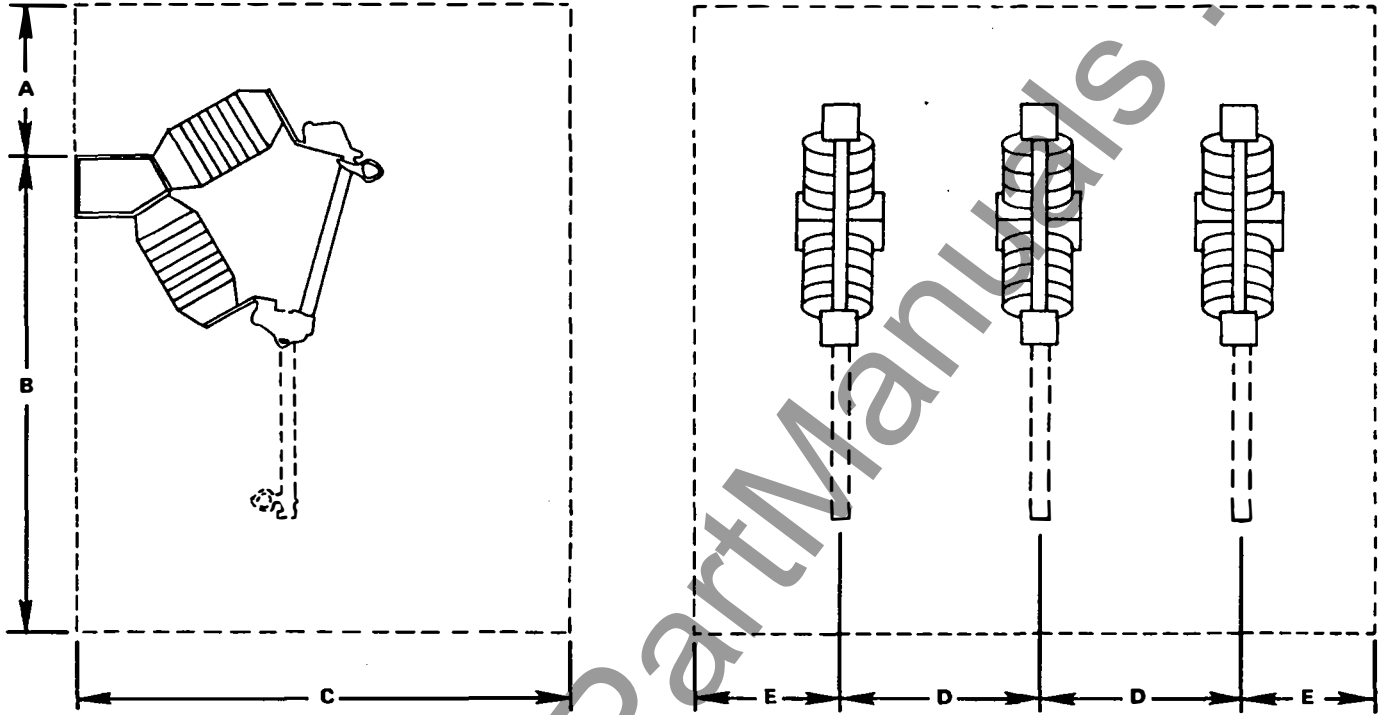
② Clearance to other phases or low-voltage bus when the source is connected to the main-contact end, or clearance to grounded objects or other phases when the source is connected to the hinge end.

① Phase spacing when the source is connected to the main-contact end.

② Phase spacing when the source is connected to the hinge end.



STATION — RIGHT-ANGLE STYLE MOUNTINGS



Rating				Mounting Clearances, Inches						
Nominal	Kv Max Des.	BIL	Amperes, Max	A	B ^①	B ^②	C	D ^③	D ^④	E
14.4	17.0	110	200E or 200K	14	42	49	44	17	19	14
25	27	150	200E or 200K	20	52	60	57	20	23	17
34.5	38	200	200E or 200K	26	75	83	76	25	28	22

① Clearance to grounded objects when the source is connected to the main-contact end.

② Clearance to other phases or low-voltage bus when the source is connected to the main-contact end, or clearance to grounded objects or other phases when the source is connected to the hinge end.

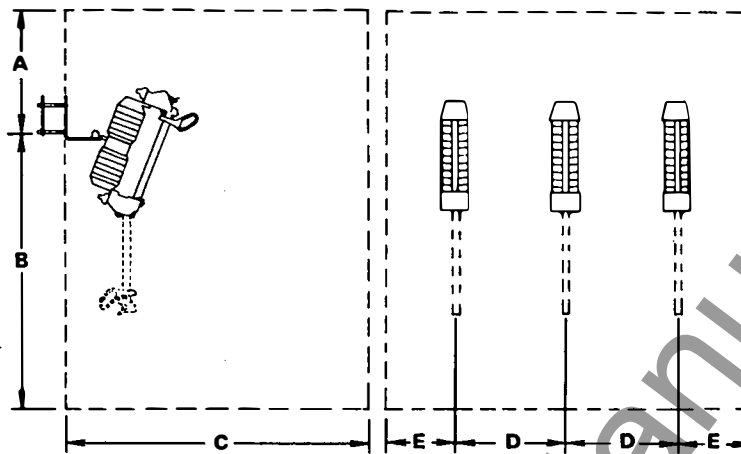
③ Phase spacing when the source is connected to the main-contact end.

④ Phase spacing when the source is connected to the hinge end.

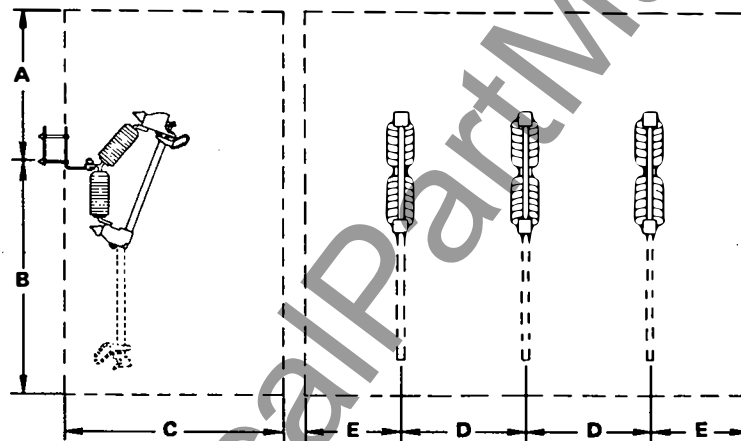


OVERHEAD — POLE-TOP STYLE MOUNTINGS

14.4 kv and 25 kv



34.5 kv only



Rating				Mounting Clearances, Inches						
Nominal	Kv Max Des.	BIL	Amperes, Max	A	B ^①	B ^②	C	D ^③	D ^④	E
14.4	17.0	125	200E or 200K	14	38	40	36	15	19	12
14.4	17.0	150	200E or 200K	14	38	40	38	15	19	12
25	27	150	200E or 200K	19	46	49	41	18	23	15
34.5	38	200	200E or 200K	26½	61½	64½	53½	25	28	22

① Clearance to grounded objects when the source is connected to the main-contact end.

② Clearance to other phases or low-voltage bus when the source is connected to the main-contact end, or clearance to grounded objects or other phases when the source is connected to the hinge end.

③ Phase spacing when the source is connected to the main-contact end.

④ Phase spacing when the source is connected to the hinge end.

