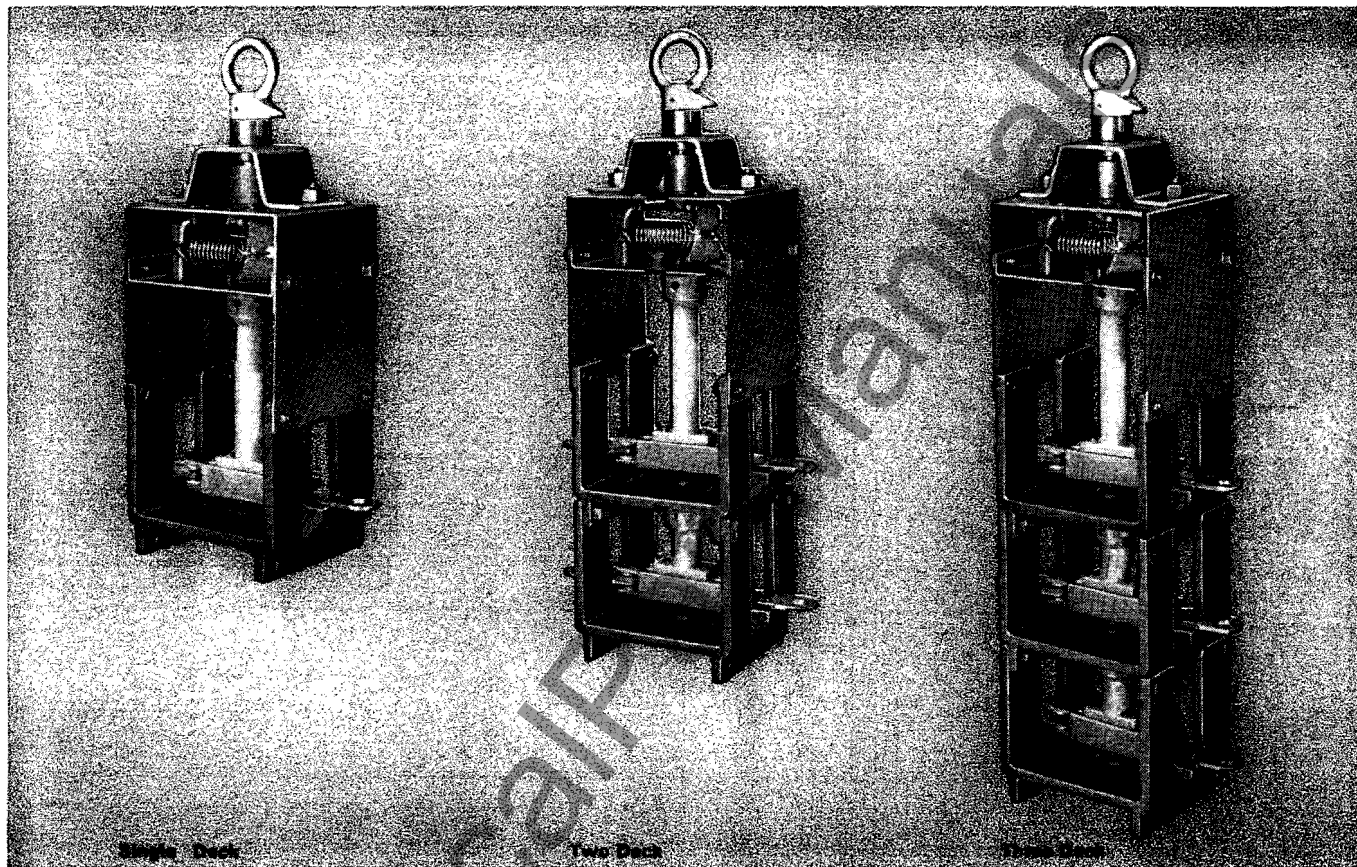


Westinghouse



Type LBOR Load Break Oil Switch



Application

The Type LBOR is a load break switch designed for sectionalizing cable. It can be used on single or three phase transformers and in switching compartments.

This stacked deck rotary switch enables operating personnel to quickly isolate a line fault in a loop feed system while maintaining full service. Also, a transformer can be quickly disconnected for maintenance or changeout without disrupting the service of the remaining transformers on the loop.

This switching flexibility of the LBOR enables utilities to minimize outage time during emergencies.

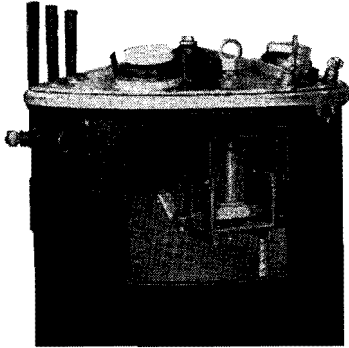
Ratings

- 200 Amperes Interrupting at 60% Power Factor
- 125 Kv Impulse Withstand
- 40 Kv 60 Hertz Withstand
- 10000 Symmetrical Amperes Momentary (30 Hz)
- 16000 Asymmetrical Amperes Momentary
- 10000 Symmetrical Amperes Make and Latch
- 200 Amperes Continuous Current
- 17.2 Kv Maximum Voltage

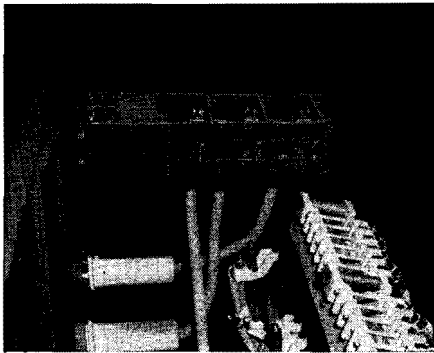
Westinghouse



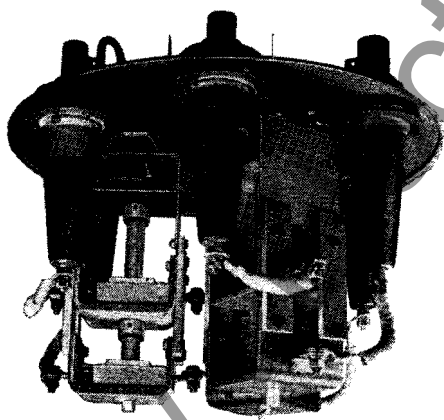
Typical Applications



Submersible and Pole Type, Single or Three Phase



Pad Mounted, Subway, Small Power Transformers



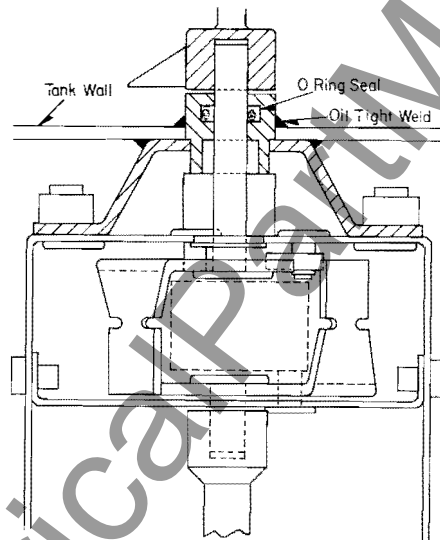
Switching Compartments

Design Features

Position Indicating Handle

The operating handle points unmistakably to the open or closed position of the switch. It can be manually or hookstick operated, and all external hardware is of non-corrosive material.

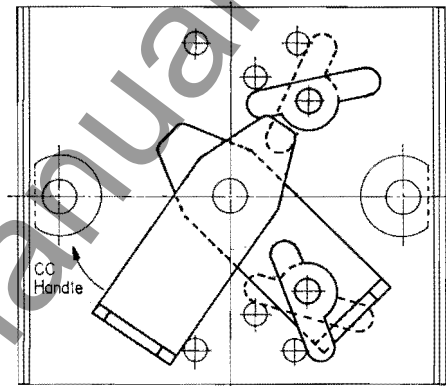
Versatile Mounting



Switch can be mounted on domed or flat covers or on vertical tank wall panels. The mounting flange is welded to tank wall or cover, and the rotating shaft is internally o-ring sealed to prevent oil leakage.

For manufacturing convenience, the flange is designed to be welded to the cover or tank during tank fabrication. The switch mechanism is then bolted to the mounting flange at final assembly.

Switch Operating Mechanism



The unique, spring loaded, cam operated, kicker system provides positive quick-make and break action to the contacts and eliminates the possibility of false indication.

Moving Contacts

Spring loaded silver plated moving button contacts are designed to provide uniform pressure and positive contact.

Base

A glass-filled polyester base provides high mechanical and dielectric strength.

Stationary Contacts

Stationary contacts and lead assembly are made of high strength, weld-resistant copper alloy.

**Type LBOR Load Break
Oil Switch**

