

# RENEWAL PARTS DATA

FOR  
WESTINGHOUSE EQUIPMENT



FURNISHED TO

WESTINGHOUSE ELECTRIC CORPORATION  
Sharon Plant  
Sharon, Pennsylvania

Purchaser's Order C&E-D-44252

G.O. XY-93286-UY-UR - S.O. 23-Y-7174  
F1-R-6236

SWITCHGEAR & TRANSFORMER

**Westinghouse Electric Corporation**  
EAST PITTSBURGH, PENNSYLVANIA

I.B. 32-150-C491

September, 1961

RENEWAL PARTS

Description	R.P.D. Number
Circuit Breakers, Type DB-25 Air . . . . .	33-850-DB25
Circuit Breakers, Type DB-50 Air . . . . .	33-850-DB50
Limiter, Type DBL. . . . .	33-850-DBL
Transformer Renewal Parts Data . . . . .	S.O. F1-R-6236



Low Voltage Air Circuit Breakers

TYPE DB-25 DE-ION AIR CIRCUIT BREAKER  
600 Ampere Frame - 250/600 Volts - D-c/A-c - 3 Pole

renewal  
parts data

33-850

Recommendations for Stock

DB-25

Refer to I.B. 33-850-1&2A for Maintenance and Parts Identification

For Typical Illustration, See Reverse Side  
**the following parts are most subject to wear in ordinary operation:**

Ref. No.	name of part	identification number	number required
POLE UNIT			
1	Moving Contact Assembly	.....	3
2	Moving Main Contact with Shunt	1491 414	3#
3	Moving Arcing Contact	1491 412	3#
8	Operating Link	1491 410	3
13	Stationary Main Contact with Upper Stud	1491 419	3#
14	Stationary Arcing Contact	1491 421	3#
15	Opening Spring	1809 546	3
16	Lower Stud	1735 836	3
..	Retaining Ring Assortment	497A346G02	1#
OPERATING MECHANISM			
1	Breaker Lever	1491 459	1
12	Reset Spring	1491 448	1
13	Roller Lever	1491 454	1
14	Pawl	1491 442	1
15	Pawl Spring	1491 450	1
22	Tripping Lever	1572 414	1
27	Trip Lever Spring	1491 445	1
34	Tripping Spring	.....	1
35	Closing Spring	.....	1

COILS

Volts	Cycles	Closing		Shunt Trip		Elec. Lockout & U.V. Trip	Relay*
		Instant. Tripping	Selective Tripping	Without Alarm Sw.	With Alarm Sw.		
24	D-c*	.....	.....	1574 584	1649 455	1491 403	1718 987
48	D-c*	.....	.....	1574 583	1491 404	1491 404	1529 443
125	D-c*	1529 458	1574 627	1491 403	1491 991	1611 027	1529 444
250	D-c*	1718 045	1574 630	1491 404	1640 660	1529 248	1574 335
110	25	300P166G01	300P325G01	1491 403	1574 583	1491 404	1529 443
220	25	300P167G01	300P326G01	1491 404	1491 403	1611 027	1529 457
440	25	.....	.....	1491 405	1491 404	1649 804	1766 826
550	25	300P563G01	.....	1491 405	1491 404	1649 804	1574 335
110	60	300P614G01	300P614G01	1574 583	1574 584	1491 403	1718 987
220	60	300P166G01	300P325G01	1491 403	1574 583	1491 404	1529 443
440	60	300P167G01	300P326G01	1491 404	1491 403	1611 027	1529 457
550	60	300P167G01	300P167G01	1491 404	1491 403	1611 027	1529 444
600	60	300P167G01	300P167G01	.....	.....	.....	.....

\*D-C Relays Also Use Blowout Coil S#1589340.

Auxiliary Switch 4 Stage-Drawout 1649 877      8 Stage-Drawout 1649 878      4 Stage-Fixed 1649 879 \*      8 Stage-Fixed 1649 880

#Minimum Recommendations for Stock: Contacts & Retaining Rings - 1 Breaker  
Order 1 Set, 2 to 5 Breakers - 2 Sets, 6 to 10 Breakers - 4 Sets. Coils & Auxiliary Switches, When Used - 1 Breaker Order 0, 2 to 5 Breakers - 1 Each, 6 to 10 Breakers - 2 Each.

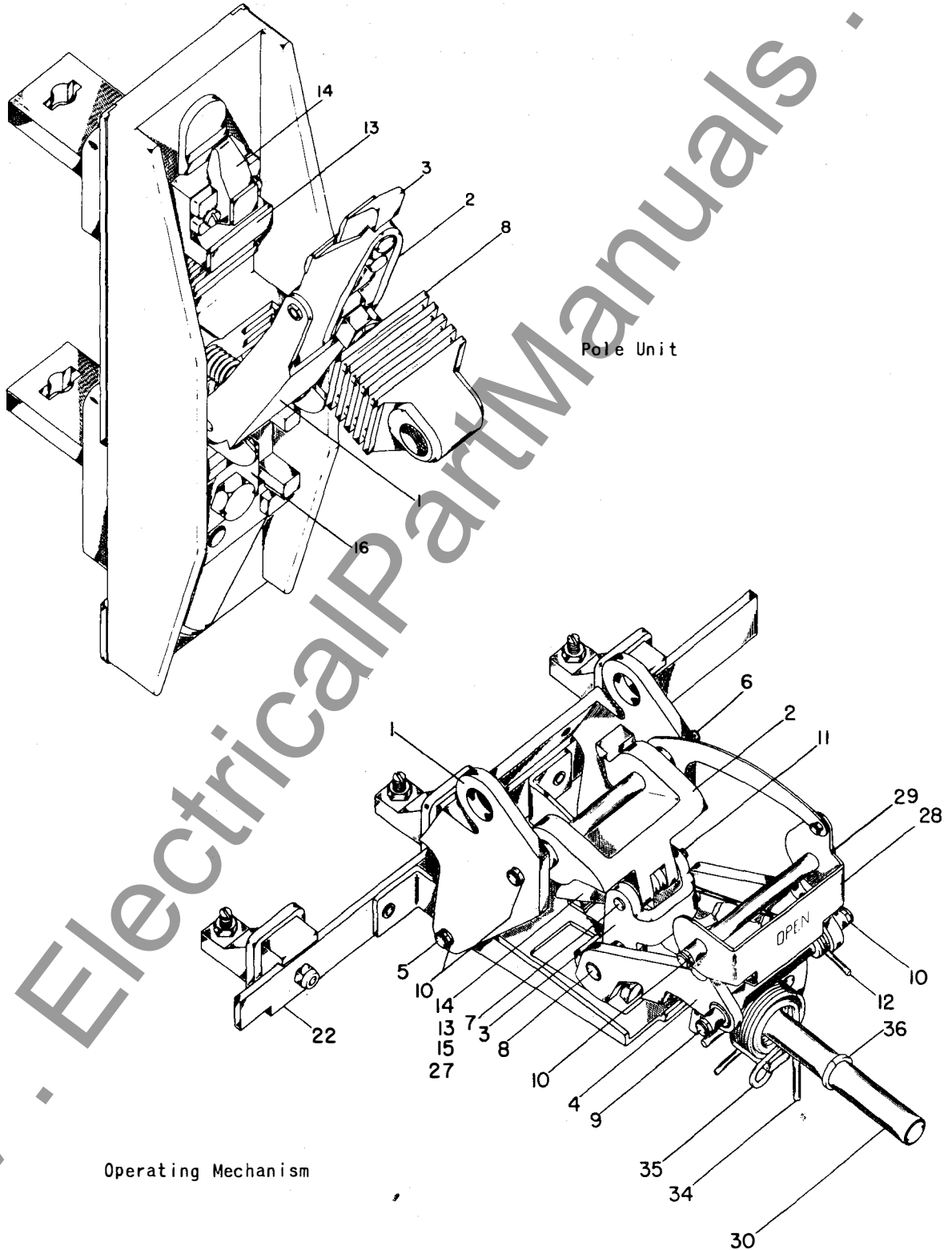
Order Part by Name and Identification Number - Give Complete Nameplate Reading.

renewal parts  
illustration

33-850

DB-25

TYPE DB-25 DE-ION AIR CIRCUIT BREAKER





Low Voltage Air Circuit Breakers

TYPE DB-50 DE-ION AIR CIRCUIT BREAKER  
1600 Ampere Frame - 250/600 Volts - D-c/A-c - 3 Pole

renewal  
parts data

33-850

DB-50

Recommendations for Stock  
Refer to I.B. 33-850-3 for Maintenance and Parts Identification

For Typical Illustration, See Reverse Side  
**the following parts are most subject to wear in ordinary operation:**

ref. no.	name of part	style number	number required
POLE UNIT			
1	Moving Main Contact	200B570G01	6#
4	Auxiliary Contact	28A1391H25	12#
6	Moving Arcing Contact	1584 472	3#
15	Operating Link	1611 758	3
18	Stationary Main Contact and Upper Stud	1611 764	3#
19	Stationary Arcing Contact	1611 748	3#
27	Lower Stud	1611 767	3
..	Retaining Ring Assortment	497A346G03	1#
OPERATING MECHANISM			
1	Breaker Lever	1589 689	1
17	Roller Lever	1589 692	1
18	Roller Lever Spring (breakers built before 8/1/61)	300P220H01	1
18	Roller Lever Spring (breakers built after 8/1/61)	499A453H01	1
19	Pawl	1589 691	1
20	Pawl Spring	1584 520	1
23	Latch Segment	1589 682	1
28	Tripping Lever	.... ..	1

COILS

Volts	Cycles	Closing	Shunt Trip		Elec. Lockout U.V. Trip	Relay Plus Blowout Coil if D.C.
			Without Alarm Sw.	With Alarm Sw.		
24	D-c	When ordering	1589 312	1589 312	When ordering	When ordering
48	D-c	specify	1589 313	1589 313	specify	specify
125	D-c	ident. no. on	1589 314	1589 314	ident. no. on	ident. no. on
250	D-c	coil & give	1589 315	1589 315	coil & give	coil & give
110	25	complete	1589 313	1589 312	complete	complete
220	25	nameplate	1589 314	1589 313	nameplate	nameplate
440	25	reading of	1589 315	1589 314	reading of	reading of
550	25	breaker	1589 315	1589 314	breaker	breaker
110	60		1589 312	1589 311		
220	60		1589 313	1589 312		
440	60		1589 314	1589 313		
550	60		1589 314	1589 313		
Auxiliary Switch		4 Stage-Drawout	8 Stage-Drawout	12 Stage-Drawout	4 Stage-Fixed	8 Stage-Fixed
		1718 462	1718 463	1718 464	1718 465	1718 466

#Minimum Recommendations for Stock: Contacts & Retaining Rings - 1 Breaker Order 1 Set, 2 to 5 Breakers - 2 Sets, 6 to 10 Breakers - 4 Sets. Coils & Auxiliary Switches When Used - 1 Breaker Order 0, 2 to 5 Breakers - 1 Each, 6 to 10 Breakers - 2 Each.  
Order Part by Name and Style Number - Give Complete Nameplate Reading.

Supersedes issue dated May, 1960

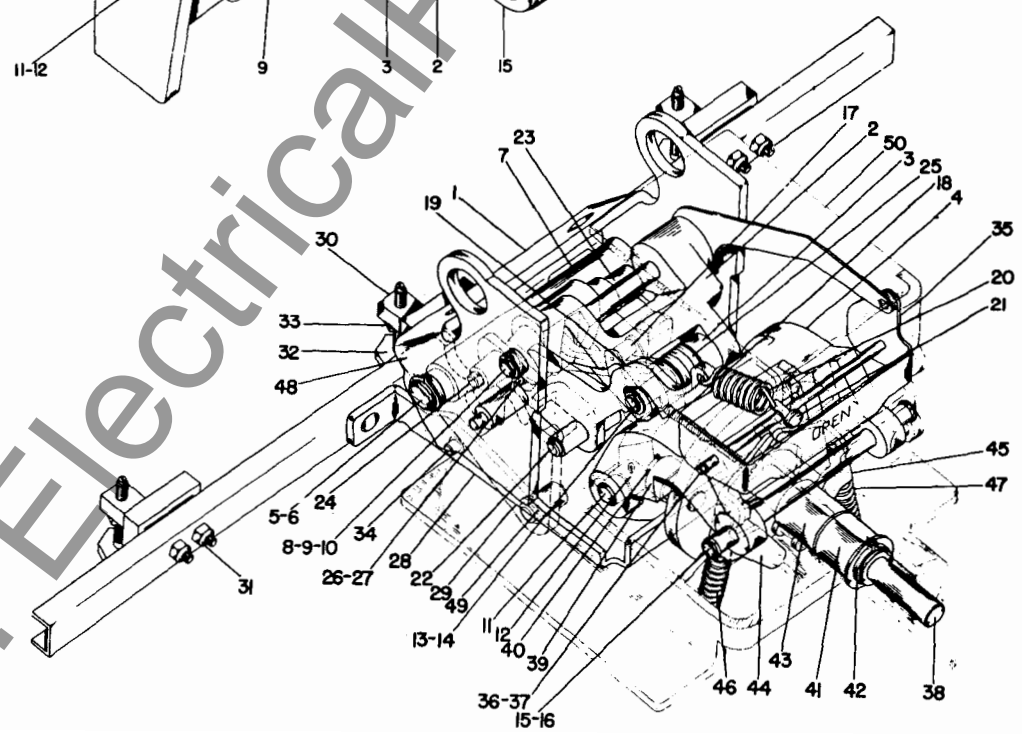
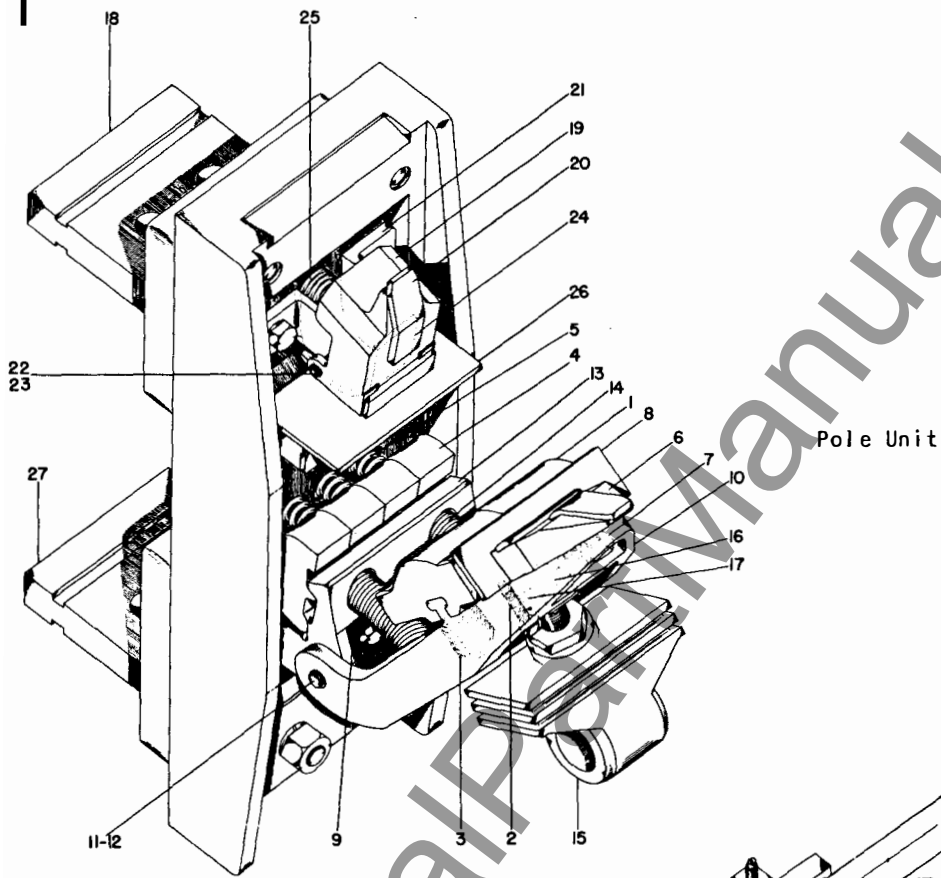
September, 1961

renewal parts  
illustration

33-850

DB-50

TYPE DB-50 DE-ION AIR CIRCUIT BREAKER





Low-Voltage Air Circuit Breaker

TYPE DBL AIR CIRCUIT BREAKER

CURRENT LIMITER

33-850  
DBL

---

<u>Style Number</u>	<u>Description</u>
TYPE DBL-25 AIR CIRCUIT BREAKER	
203B350H03	Type KAF Limiter - 300 Ampere
203B350H02	Type KAF Limiter - 600 Ampere
203B350H01	Type KAF Limiter - 800 Ampere

TYPE DBL-50 AIR CIRCUIT BREAKER	
203B351H04	Type KAL Limiter - 800 Ampere
203B351H03	Type KAL Limiter - 1200 Ampere
203B351H01	Type KAL Limiter - 1600 Ampere
203B351H02	Type KAL Limiter - 2000 Ampere

One Limiter Required Per Breaker Pole

April, 1961



WESTINGHOUSE/SHARON WORKS

1 - 300 KVA, type DT-3, class AA, indoor, power center transformer, 3 phase, 50 cycle.

renewal parts da

General Order  
XY-93286-UR

Shop Order  
F1-R-6236-R

the following parts are most subject to wear in ordinary operation:

name of part	identification number	numb per u
lightning arrester	1616 811	3
high voltage porcelain insulator	548D229G04	3
retouch paint	1643 998	1

Reference:

Main D-Spec 715465 Comb. 1  
L-Spec 720596

note: Parts indented are included in the part under which they are indented. Order part by name and identification number—give complete nameplate reading.





WESTINGHOUSE/SHARON WORKS

renewal  
parts data

### recommendations for stock

#### minimum list

G.O.- XY-93286-UR

S.O.- F1-R-6236-R

code	rec. for stock	identification number	name of part	price each*	total quantity	page number
	1	548D229G04	h.v. porcelain insulator		3	1
	1	1643 998	retouch paint		1	1

LR/bmr 9/27/61

\*Prices and Discounts subject to change without notice