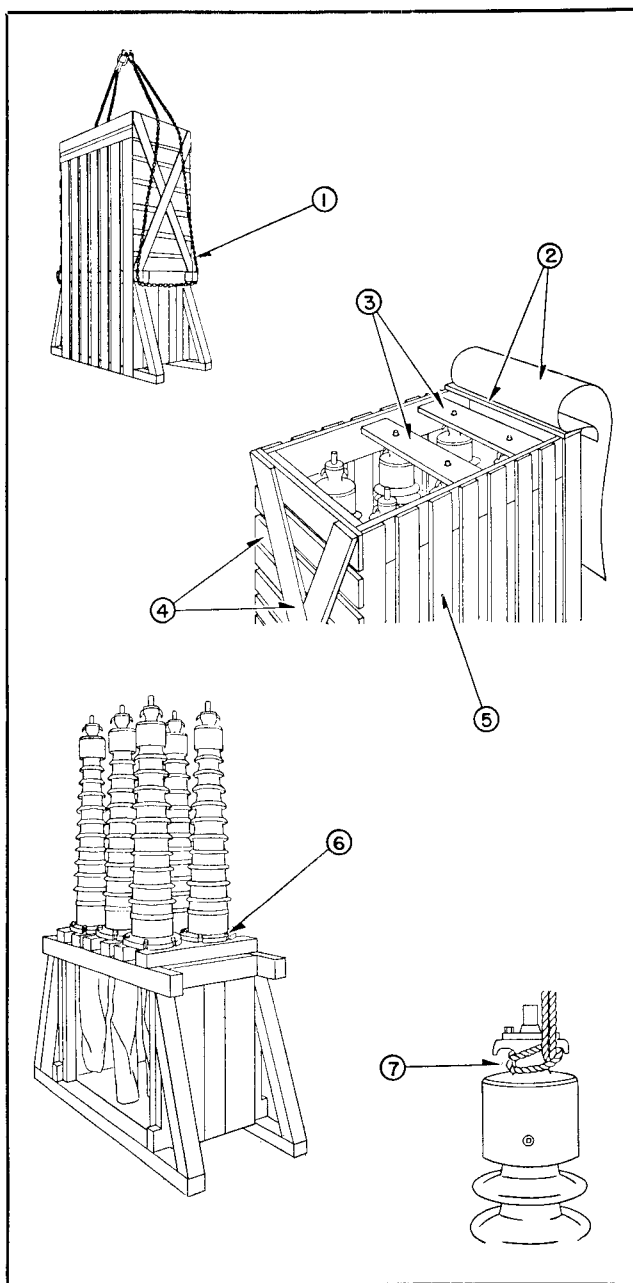




UNPACKING • HANDLING • STORING INSTRUCTIONS

OUTDOOR CONDENSER BUSHINGS TYPE "O" SHIPPED VERTICAL IN CRATES



Examine the shipment immediately for damage in transit. If damaged, file claim at once with the transportation company and notify the nearest Westinghouse Sales Office.

UNPACKING AND HANDLING

The following numbered steps refer to the corresponding numbers on the illustration:

1. Lift the crate with slings as shown.
2. Remove the waterproof cover and the top boards from the crate. Use a nail puller where possible.
3. Remove the supports from around the tops of the bushings. Do not allow porcelain casings to be struck by tools or against the crate while handling as these parts are easily damaged.
4. Remove the diagonal braces and the horizontal boards from the ends of the crate.
5. Remove the vertical boards from the sides of the crate.
6. Working on one bushing at a time, remove the four bolts securing the flange to the skid.
7. Attach a rope or steel cable around the top of the bushing under the lifting lugs as shown and lift the bushing from the skid. Do not lift by the porcelain. Keep the bushing vertical while lifting to avoid damage to the porcelain on adjacent bushings. See that the lower end of the bushing does not strike the skid.

STORING

Leave the bushings packed in the crate. Store in a clean place where the bushings will not be damaged.

WESTINGHOUSE ELECTRIC CORPORATION

POWER CIRCUIT BREAKER DEPT.
SHARON PLANT

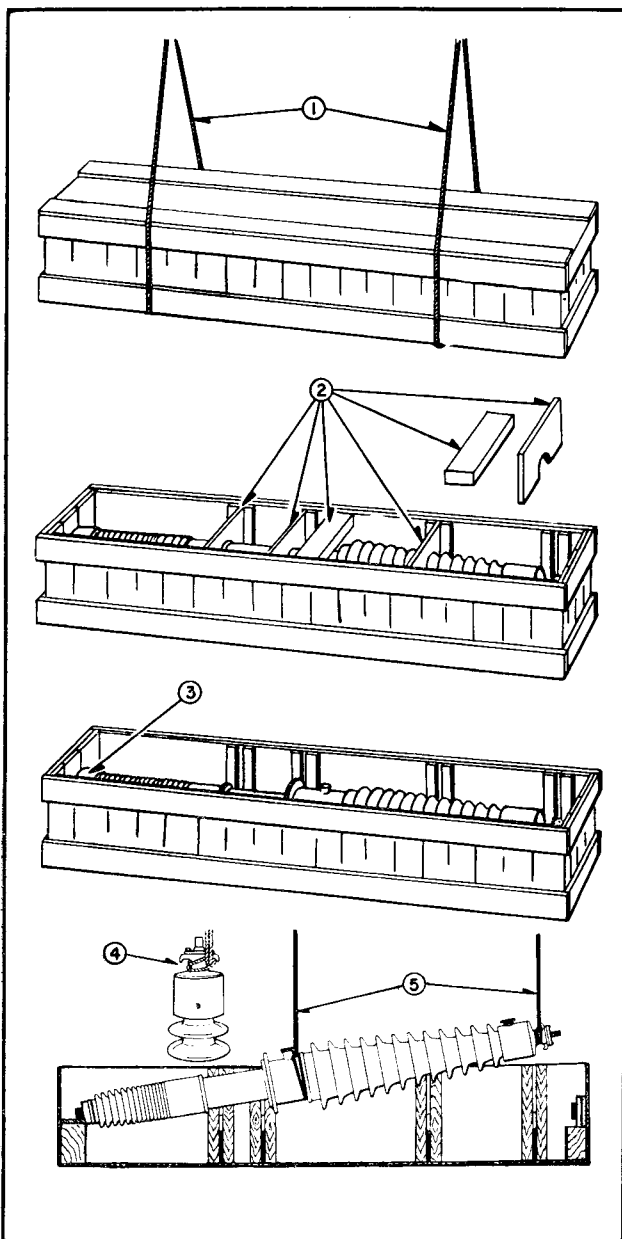
TRANSFORMER DIVISION

TRAFFORD, PA.
SHARON, PA.



UNPACKING • HANDLING • STORING INSTRUCTIONS

OUTDOOR CONDENSER BUSHINGS TYPE "O" SHIPPED IN BOXES



Examine the shipment immediately for damage in transit. If damaged, file claim with the carrier and notify the nearest Westinghouse Sales Office.

UNPACKING AND HANDLING

The following numbered steps refer to the corresponding numbers on the illustration:

1. Lift the box with slings as shown.
2. Remove the cover and spacers from the box. Use a nail puller where possible. Lift out the top halves of the centering collars.
3. Remove the blocking from the ends of the bushing to free the bushing. Do not allow porcelain casings to be struck by tools or against the box while handling as these parts are easily damaged.
4. Attach a rope or steel cable around the top of the bushing under the lifting lugs as shown.
5. When lifting from a horizontal packing case, it is desirable to use a double hoist with one lift at the flange and one looped under the lifting lugs. Do not lift by the porcelain or pivot the bushing on the lower porcelain. Keep the lower end of the bushing on felt or wood, braced to prevent slipping and with porcelain away from the floor.

STORING

The bushing may be removed from the box for inspection and storage in a clean safe place, or it may be stored in the box to avoid damage. The bushing should be stored in a vertical position or with the cap end at least 10 inches higher than the opposite end.

WESTINGHOUSE ELECTRIC CORPORATION
POWER CIRCUIT BREAKER DEPT.
TRANSFORMER DIVISION

TRAFFORD, PA.
SHARON, PA.

SUPERSEDES I.L. 33-155-5

MARCH, 1961

Printed in U.S.A