

MERLIN GERIN

Compact Line
molded case
circuit-breakers
15-3000 A

line

load

mastering electrical power



MERLIN GERIN

Merlin Gerin: the breaker maker for more than half a century

Since 1932, when Merlin Gerin produced its first low voltage circuit-breaker, the company has become the world's only manufacturer to specialize in circuit-breakers. Progress in state of the art engineering has been constantly increasing for more than half a century at Merlin Gerin, enabling the company to rank among the leaders in circuit-breakers.

a true international range

For over 30 years, Merlin Gerin circuit-breakers have been installed all over the world in more than 80 countries with service and technical assistance provided for full customer satisfaction.

The Compact Line circuit-breakers are UL approved under UL file E63335. They comply with the european standard IEC-157-1 as well as with the major standards:

- british BS 4752,
- german VDE 660,
- french NFC63-120,
- australian AS 1930.

In addition, Compact Line circuit-breakers have been approved for marine application by American Bureau of Shipping, Bureau Veritas, Lloyd's Register of Shipping, Registro Italiano Navale, Germanische Lloyd's and Det Norske Veritas.

For export to Japan, Merlin Gerin also offers a complete molded case circuit-breaker line modified according to the japanese industrial standard JIS 8370 and approved by the MTI.

the most advanced molded case breakers

Compact Line circuit-breakers offer unique features:

- high strength glass polyester casing allows **exceptional electrical and mechanical characteristics** available on the whole range at no extra cost,
- current limiting (without fuses). On the L version, up to 1000 A, a set of ultra-fast contacts in series with the main contacts allows exceptional current limitation,
- tropicalization: as standard moisture and fungus protection ensures normal operation under severe ambient conditions.

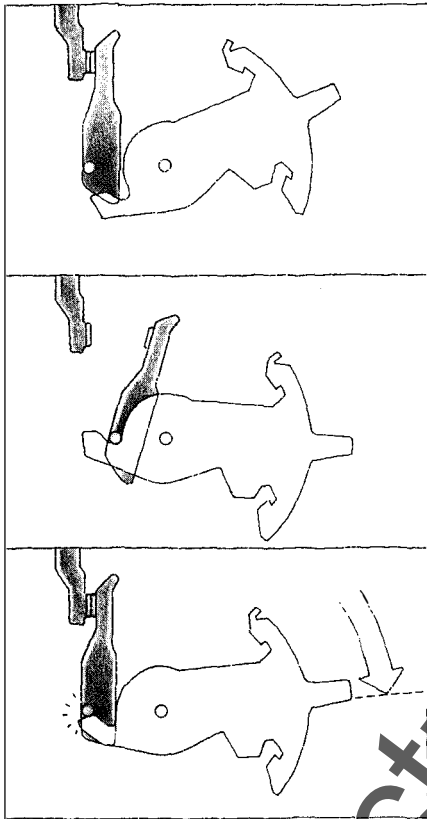
Compact Line circuit-breakers are designed as a system of modular components

- 1 - cable connectors
- 2 - snap in auxiliaries
- 3 - rating plug
- 4 - rotary handle
- 5 - motor operator



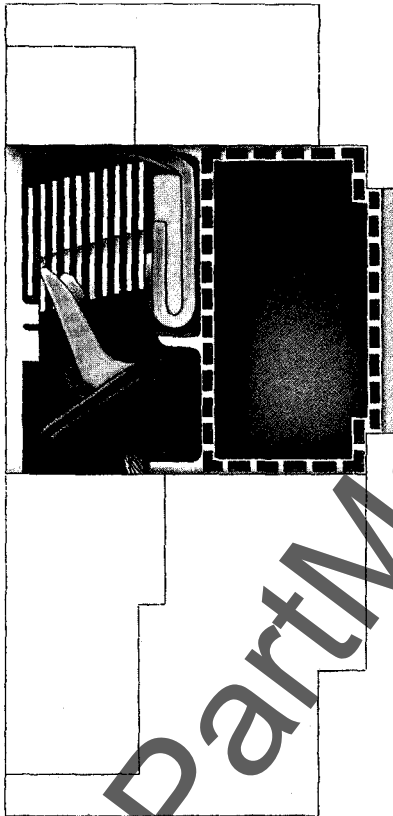
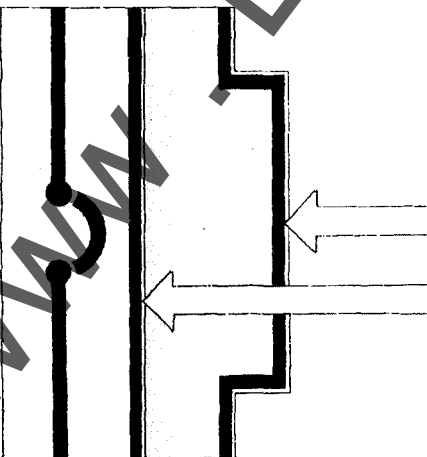
ensured positive break indication

This gives the breaker an isolating function as the handle is mechanically prevented from being moved to the OFF position unless all contacts are in open position with a safety clearance. This feature does not affect the **trip-free** function of the mechanism.



reinforced insulation

Two insulation barriers separate the front of the circuit-breaker from the main contacts (4000volts dielectric test between main contacts and front cover).

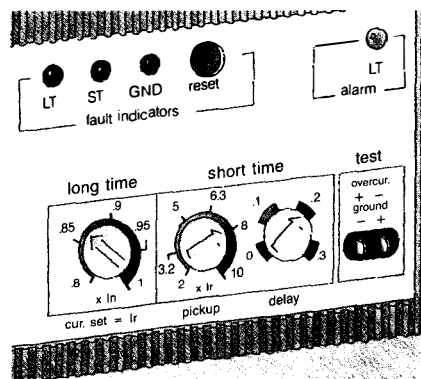


integral partitioning

Once the front cover has been removed, to give access to the auxiliary compartments, the main circuits remain fully insulated (except on CM frame). Furthermore, interphase partitioning allows full insulation between each pole even if the front cover has been removed.

solid state protected

Above 400A all circuit-breaker frames are equipped with a solid state trip (rating plugs from 200 A), including: adjustable long time, adjustable short time for coordination, built-in ground fault protection, testing and fault indicators.



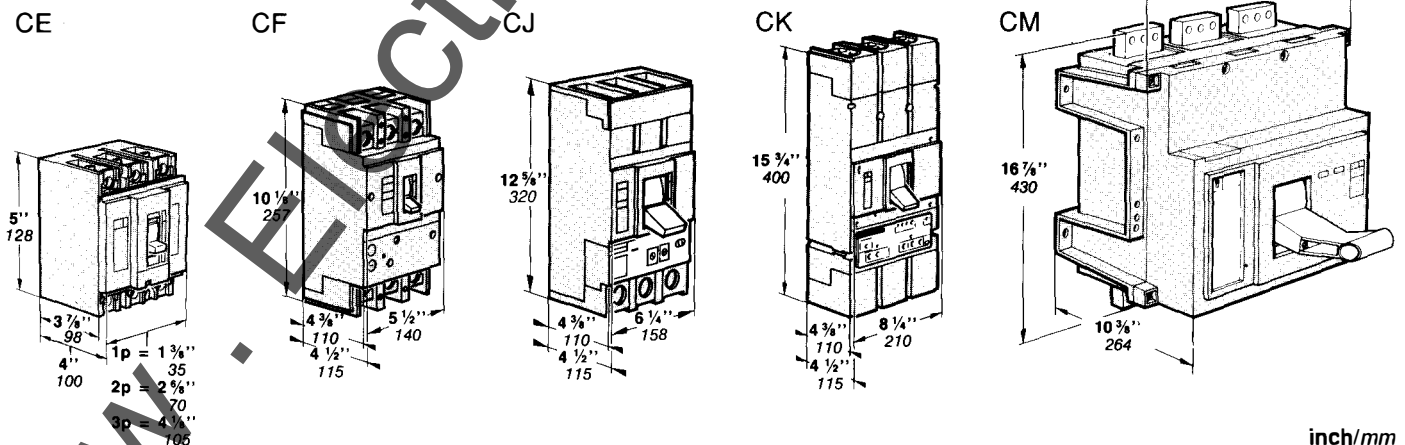
UL listed ratings

Compact Line is listed for 3 levels of interrupting capabilities :
 N : standard, H : high interrupting,
 L : current limiting.

type	cont. ampere rating (A)	no. poles	volts AC (V)	UL listed interrupting ratings RMS Symmetrical Amps				
				120V	240V	277V	480V	600V
standard interrupting rating circuit breakers								
CE 104E	15-100	1	277	18,000		10,000		
		2-3 ①	480		18,000		10,000	
CE 104N	15-100	1	277	42,000		14,000		
		2-3 ①	480		42,000		14,000	
CF 250N	90-250	2-3	480		65,000		35,000	
CJ 400N	200-400	3	600		65,000		35,000	14,000
CJ 600N	300-600	3	600		65,000		35,000	14,000
CK 400N②	200-400	3	600		65,000		50,000	35,000
CK 800N②	400-800	3	600		65,000		50,000	35,000
CK 1200N	600-1200	3	600		65,000		50,000	35,000
high interrupting rating circuit breakers								
CE 104H	15-100	2-3 ①	480		65,000		18,000	
CF 250H	70-250	2-3	480		100,000		42,000	
CJ 400H	200-400	3	600		100,000		42,000	18,000
CJ 600H	300-600	3	600		100,000		42,000	18,000
CK 400H②	200-400	3	600		85,000		65,000	42,000
CK 800H②	400-800	3	600		85,000		65,000	42,000
CK 1200H	600-1200	3	600		85,000		65,000	42,000
CM 1250H②	1250	3	600		125,000		85,000	50,000
CM 1600H②	1600	3	600		125,000		85,000	50,000
CM 2000H②	2000	3	600		125,000		85,000	50,000
CM 2500H②	2500	3	600		125,000		85,000	50,000
CM 3000H②	3000	3	600		125,000		85,000	50,000
current limiting circuit breakers								
CE 104L	15-100	3	480		100,000		100,000	
CF 250L	90-250	3	480		150,000		150,000	
CJ 400L	200-400	3	600		150,000		150,000	65,000
CK 1000L	500-1000	3	480		100,000		100,000	

① 2-pole breakers rated at 480V/277V ● ratings apply to both 100% rated and standard rated types

dimensions of the Compact line



inch/mm

MERLIN GERIN INC.
 5000 Highlands Pkwy.
 Suite 150
 SMYRNA, GA 30082
 tel. (404) 432.2744
 fax (404) 432.9179

GROUPE SCHNEIDER

As standard specifications and designs change from time to time, please ask for confirmation of the information given in this publication.

design by Y. Marchand
 IPV - 10/89 Imp. du Téléfrique - Grenoble

VP0139E