



ET®-C CORDON® CURRENT-LIMITING CIRCUIT BREAKERS

DESCRIPTION



APPLICATIONS

I-T-E current-limiting thermal-magnetic circuit breakers are designed for use in load centers, power panelboards, distribution switchboards, secondary unit substations and all types of individual enclosures where the available fault currents exceed the interrupting ratings of heavy-duty and extra-heavy-duty molded-case circuit breakers.

RATINGS

These breakers have ratings of 15 through 1600 amperes, 240 through 600 volts A-C, 250 volts D-C with up to 200,000 amperes interrupting capacity.

FEATURES

Current-limiting circuit breakers combine the operating features of heavy-duty molded-case circuit breakers with the high-interrupting characteristics of the Amp-trap† current-limiting fuse, in one compact device.

† Registered Trademark, The Chase-Shawmut Company.

Current-limiting breakers provide coordinated protection for any overcurrent or fault condition up to their interrupting ratings. Overcurrents and low-magnitude fault currents are cleared by the thermal-magnetic trip devices. Short circuit currents above a predetermined value are cleared by the Amp-trap current-limiters. The fast-acting current-limiting characteristics of the Amp-traps clear short circuit currents in less than one-half cycle, thus greatly reducing peak let-through currents. Therefore, current-carrying parts and bus-supporting members need not be designed to withstand the maximum peak available current. For short-circuit currents less than this predetermined value, the Amp-traps are not affected and replacement is held to a minimum.

Current-limiting breakers are factory calibrated for 40C (104F) operation and sealed to prevent tampering.

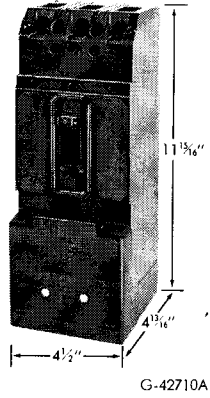
I-T-E CIRCUIT BREAKER COMPANY

Printed in U. S. A.

NEW



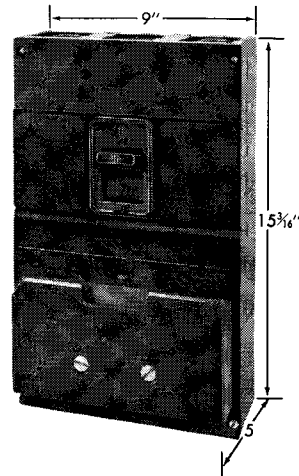
ET®-C CORDON® CURRENT-LIMITING CIRCUIT BREAKERS
 DESCRIPTION



G-42710A

Two or Three Pole

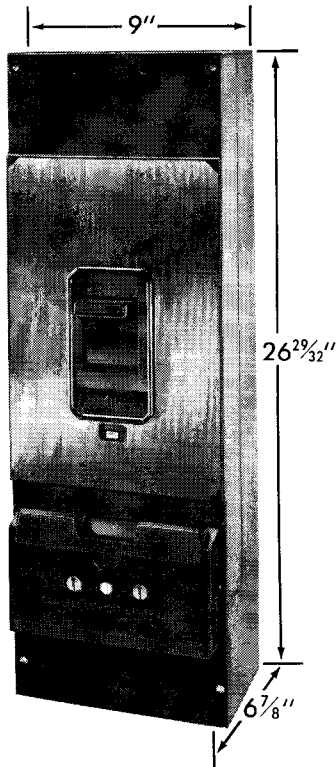
CF Frame
 600 Volts A-C • 250 Volts D-C
 15-100 Amperes



G-42787A

Two or Three Pole

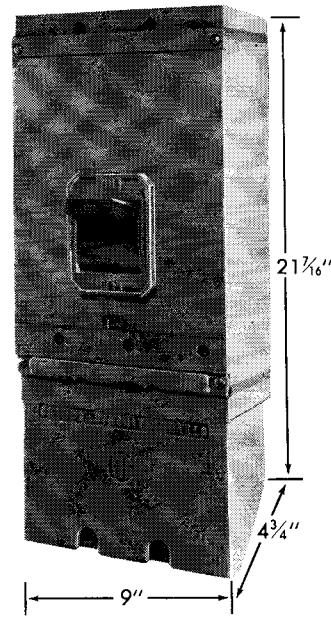
CJKL Frame
 600 Volts A-C • 250 Volts D-C
 125-400 Amperes



G-42809A

Three Pole

CM Frame
 600 Volts A-C • 250 Volts D-C
 400-800 Amperes



G-43793A

Three Pole

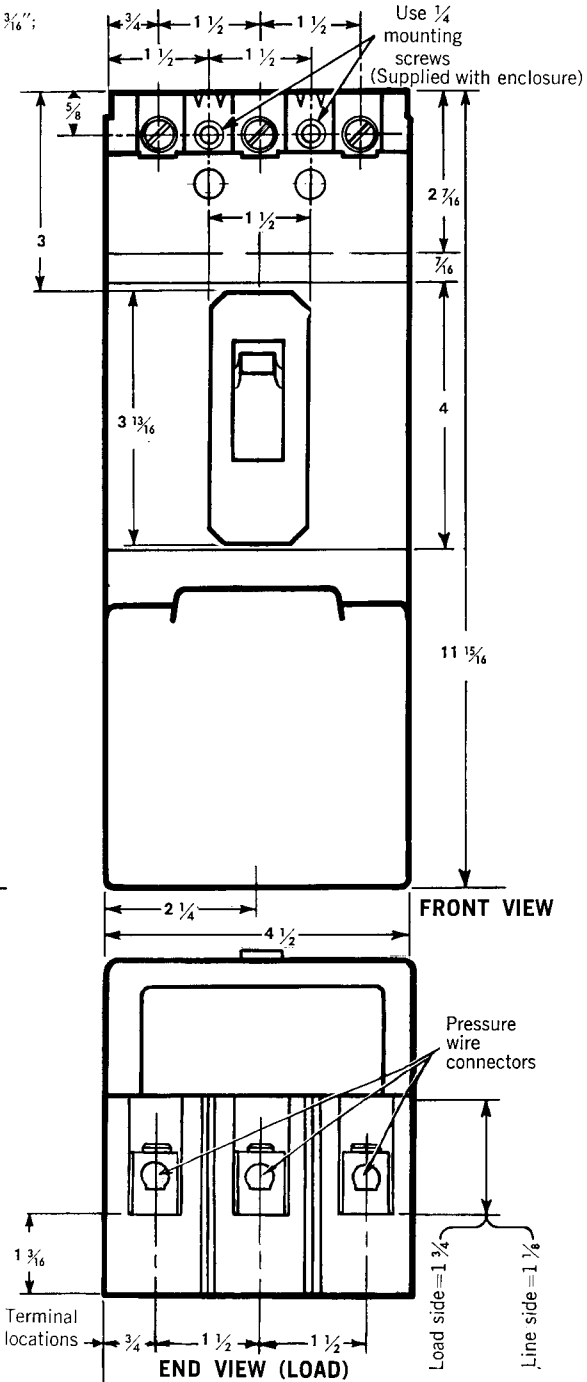
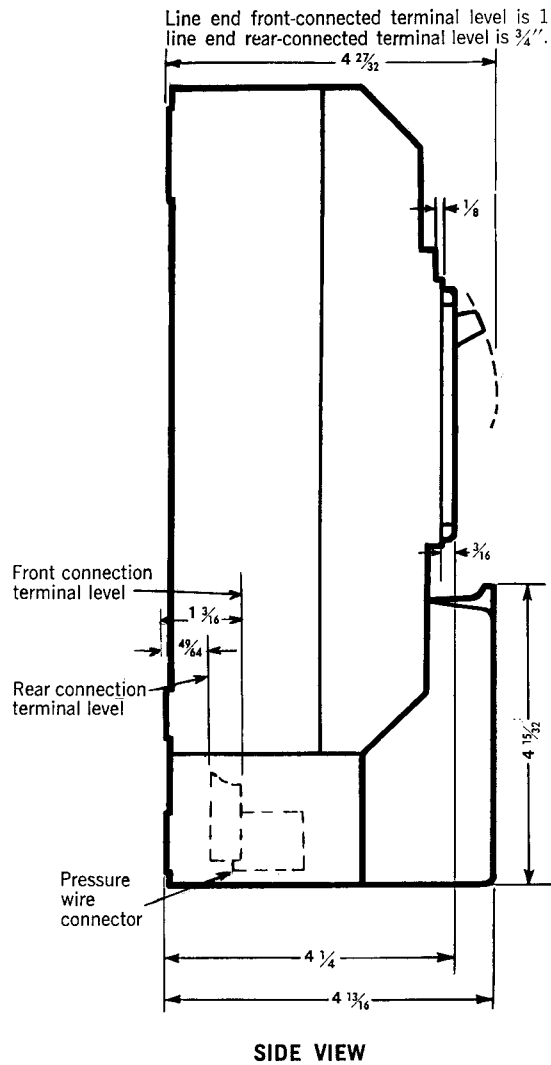
CP Frame
 600 Volts A-C • 250 Volts D-C
 800-1600 Amperes



ET®-C CF-FRAME CORDON® CIRCUIT BREAKERS

DIMENSIONS

G-43707AA



NOTE: Current-carrying parts are omitted from center pole in two pole construction.

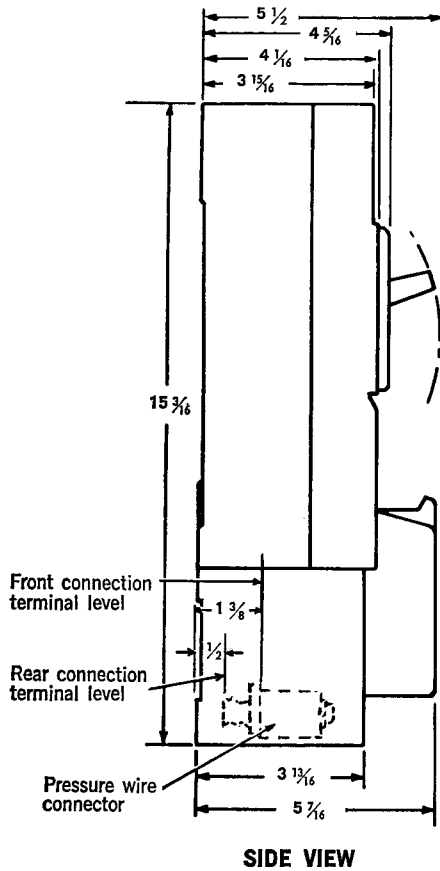


ET®-C CJKL-FRAME CORDON® CIRCUIT BREAKERS

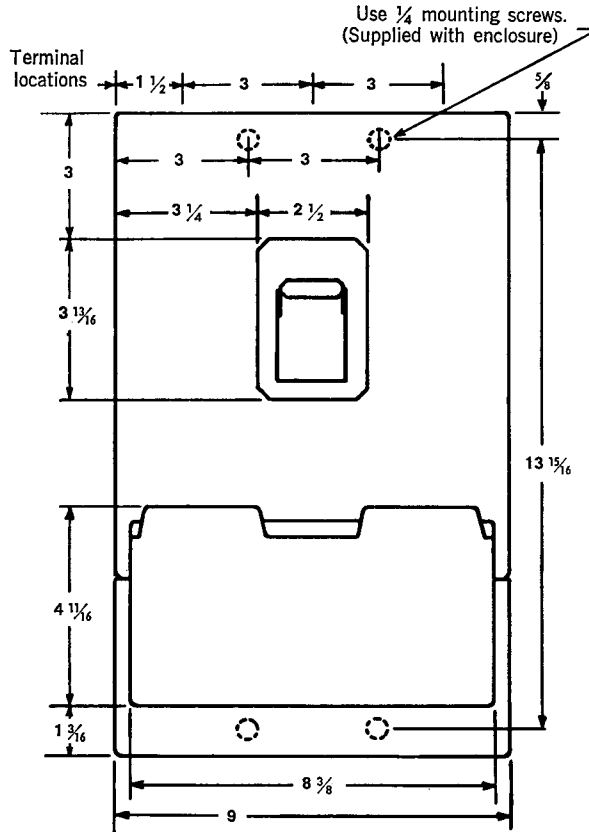
F-41671AA

Line end front and rear-connected terminal levels are identical with load end levels.

DIMENSIONS

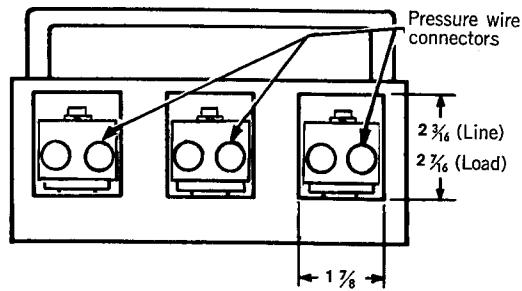


SIDE VIEW



FRONT VIEW

NOTE: Current-carrying parts are omitted from center pole in two pole construction.



END VIEW (LOAD)

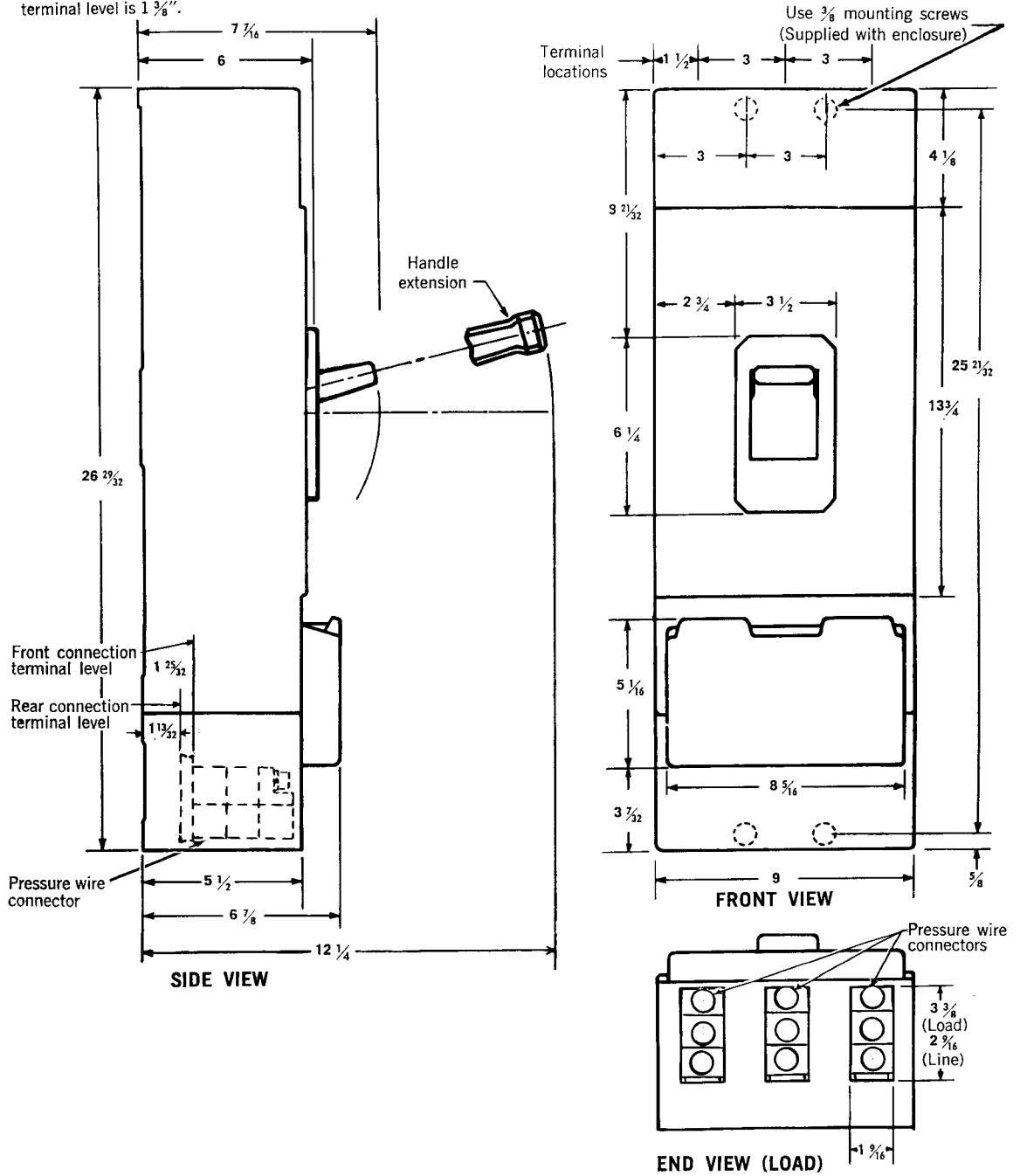


ET®-C CM-FRAME CORDON® CIRCUIT BREAKERS

DIMENSIONS

E-40976AA

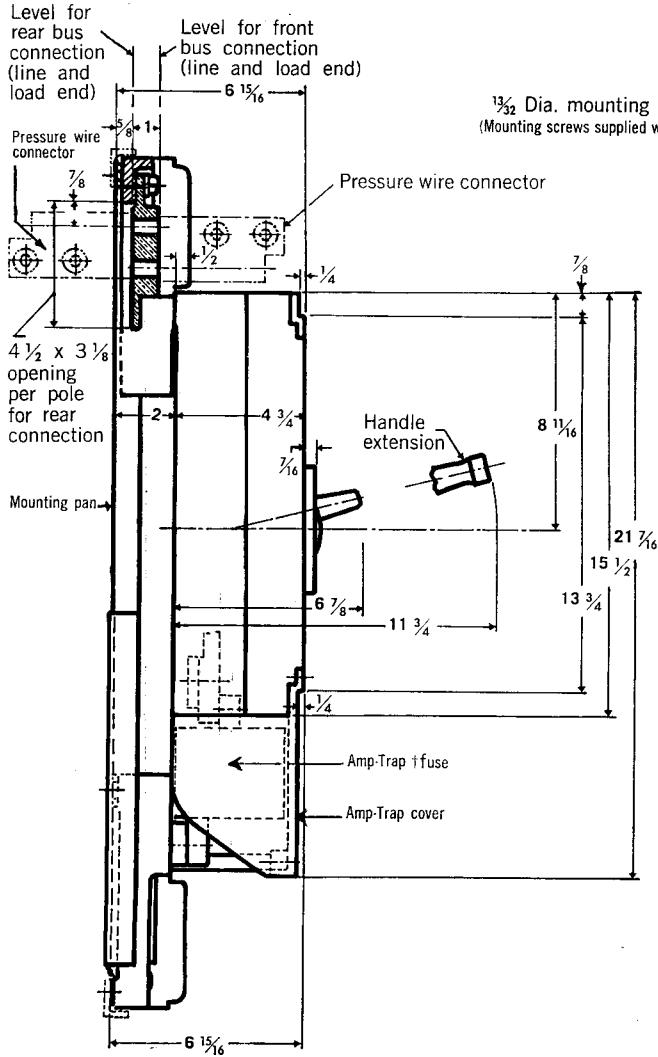
Line end front-connected terminal level is $1 \frac{1}{16}$ " ; line end rear-connected terminal level is $1 \frac{3}{8}$ " .





ET®-C CP-FRAME CORDON® CIRCUIT BREAKERS
DIMENSIONS

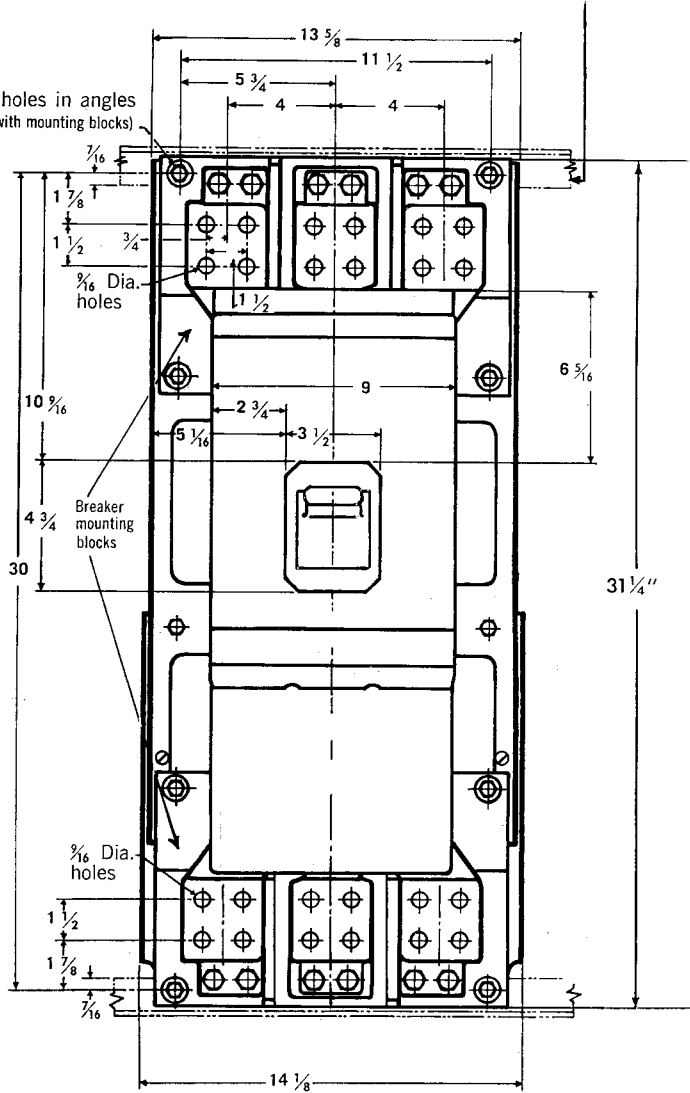
G-43739A



SIDE VIEW

Breaker, mounting blocks and mounting pan
†Registered Trademark, The Chase-Shawmut Co.

Mounting support angles supplied by customer.
Recommend use of 1 3/8 x 7/8 x 3/16 thk. steel angle.



FRONT VIEW

Breaker, mounting blocks and mounting pan



ET®-C CF- AND CJKL-FRAME CORDON® CIRCUIT BREAKERS

CF 15-100 AMPERES • CJKL 150-400 AMPERES

40C CALIBRATION

PRICING

Rating, Amperes	Instantaneous Trip Range		TWO POLE						THREE POLE					
			Complete Breaker			Trip Unit Only			Complete Breaker			Trip Unit Only		
			Cat. No.	List Price	Ship. Wgt., Lb.	Cat. No.	List Price	Ship. Wgt., Lb.	Cat. No.	List Price	Ship. Wgt., Lb.	Cat. No.	List Price	Ship. Wgt., Lb.
CF FRAME*														
600 VOLTS A-C • 250 VOLTS D-C														
15			CF2-B015								CF3-B015			
20			CF2-B020								CF3-B020			
30			CF2-B030								CF3-B030			
40			CF2-B040								CF3-B040			
50	—	—	CF2-B050	\$280.00	10	—	—	—	—	—	CF3-B050	\$340.00	12	—
70			CF2-B070								CF3-B070			
90			CF2-B090								CF3-B090			
100			CF2-B100								CF3-B100			
100†			CF2-S100	265.00							CF3-S100	324.00		
CJKL FRAME**														
INTERCHANGEABLE TRIP UNIT ○														
600 VOLTS A-C • 250 VOLTS D-C														
150	750	1600	CJ2-B150			CJ2-T150				CJ3-B150			CJ3-T150	
175	750	1600	CJ2-B175	\$24.00		CJ2-T175	\$81.00			CJ3-B175	658.00		CJ3-T175	\$97.00
200	960	2000	CJ2-B200			CJ2-T200				CJ3-B200			CJ3-T200	
225	960	2000	CJ2-B225			CJ2-T225				CJ3-B225			CJ3-T225	
250	1050	2250	CJ2-B250		28	CJ2-T250		2		CJ3-B250	888.00	32	CJ3-T250	327.00
300	1050	2250	CJ2-B300	711.00		CJ2-T300	268.00			CJ3-B300			CJ3-T300	
350	1900	3500	CJ2-B350			CJ2-T350				CJ3-B350			CJ3-T350	
400	1900	3500	CJ2-B400			CJ2-T400				CJ3-B400			CJ3-T400	
400†			CJ2-S400	608.00						CJ3-S400	743.00			

* CF price includes Amp-traps†, Amp-trap housing and load end pressure wire connectors. Wire range is single cable #14-#1/0 AWG (Cu), #12-#1/0 AWG (Al). If line end connectors are required, specify Cat. No. TA1-F100, at no additional charge.

† Fused circuit interrupter (for high-fault short-circuit protection and disconnect service only).

○ Shipped as a complete, assembled breaker. Removal or replacement of trip unit voids U/L listing.

** CJKL complete breaker price includes Amp-traps (Cat. No. AT1-CJ12), Amp-trap housing, and line and load end pressure wire connectors. Wire range is single-cable #4 AWG—300 MCM (Cu), #2 AWG—300 MCM (Al) for 150- to 225-ampere breakers (Cat. No. TA1-J300); single cable 250-500 MCM (Cu), 350-500 MCM (Al) for 250- to 400-ampere breakers (Cat. No. TA1-J500). Refer to Section 2.6.5, Page 3 for other connectors available. Deduct \$2.50 from list price for each connector not required, and specify same with order.

CJKL BREAKER FRAME ONLY

Description	Cat. No.	List Price	Ship. Wgt., Lb.
Two Pole	CJ2-F400	\$262.00	26
Three Pole	CJ3-F400	310.00	29

FOR DIMENSIONS—See Section 2.4.2, Pages 1-2.

FOR OPTIONAL ACCESSORY PRICING—See Section 2.6.5, Pages 1-6.

FOR ENCLOSURE PRICING—See Section 2.7.5, Page 2.

AMP-TRAP COMPONENTS ONLY

Breaker Frame	Amp-Trap Current-Limiters (One Per Pole)		Housing Only	
	Cat. No.	List Price	Cat. No.	List Price
CF 15-30 Amp. 40-100 Amp.	AT1-CF04	\$41.00	AH0-F100	\$18.00
	AT1-CF09			
CJKL	AT1-CJ06 [▲]	65.00	AH0-J400	41.00
	AT1-CJ12			

▲ Maximum continuous rating is 200 amperes. If this Amp-trap is desired, specify with order.

**INTERRUPTING RATINGS
(Based on NEMA Test Procedures)**

Voltage	Amperes	
	Asymmetrical	Symmetrical
A-C	240	235,000
	480	120,000
	600	120,000
D-C	250	100,000

SPECIFICATIONS

Breaker Frame	Underwriters' Laboratories, Inc.	Federal Specification W-C-375
CF	—	Class 2E
CJKL	Listed	Class 4A

† Registered trademark, The Chase-Shawmut Company.

I-T-E CIRCUIT BREAKER COMPANY

Printed in U. S. A.

Supersedes Section 2.4.5, Page 1, dated January 1, 1966
Complete Revision



ET[®]-C CM-, CP- AND CR-FRAME CORDON[®] CIRCUIT BREAKERS
CM 400-800 AMPERES • CP 800-1600 AMPERES • CR 1800-2000 AMPERES
40C CALIBRATION
PRICING

Rating, Amperes	Instantaneous Trip Range		TWO POLE						THREE POLE					
			Complete Breaker			Trip Unit Only			Complete Breaker			Trip Unit Only		
			Low	High	Cat. No.	List Price	Ship. Wgt., Lb.	Cat. No.	List Price	Ship. Wgt., Lb.	Cat. No.	List Price	Ship. Wgt., Lb.	Cat. No.
CM FRAME*†														
INTERCHANGEABLE TRIP UNIT														
400	1900	3500								CM3-B400	\$1284.00		600 VOLTS A-C • 250 VOLTS D-C	
500	1900	3500								CM3-B500	1284.00		CM3-T400	\$190.00
600	1900	3500								CM3-B600	1284.00	80	CM3-T500	190.00
700	3200	5600								CM3-B700	1495.00		CM3-T600	190.00
800	3200	5600								CM3-B800	1495.00		CM3-T700	380.00
800†										CM3-B800	1495.00		CM3-T800	380.00
										CM3-S800	1343.00			
CP FRAME**†														
600 VOLTS A-C • 250 VOLTS D-C														
800	3200	5600								CP3-B800	1495.00			
1000	4000	8000								CP3-B100	1850.00			
1200	4000	8000								CP3-B120	2300.00	64		
1400	4000	8000								CP3-B140	2300.00			
1600	4000	8000								CP3-B160	2300.00			
1600†										CP3-S160	1805.00			
CR FRAME**†														
600 VOLTS A-C • 250 VOLTS D-C														
1800	4000	8000								CR3-B180				
2000	4000	8000								CR3-B200	2450.00	70		
2000†										CR3-S200	1905.00			

* CM complete breaker price includes Amp-traps†, Amp-trap housing, and line and load end pressure wire connectors. Wire range is double cable #1 AWG—350 MCM (Cu or Al) for 400- to 600-ampere breakers (Cat. No. TA2-M350); triple cable 300-400 MCM (Cu), 350-400 MCM (Al) for 700- and 800-ampere breakers (Cat. No. TA3-M400). Refer to Section 2.6.5, Page 3 for other connectors available. Deduct \$6.50 from list price for each Cat. No. TA2-M350 connector not required, or \$10.00 from list price for each Cat. No. TA3-M400 connector not required, and specify same with order.

** CP and CR complete breaker price includes Connect-All mounting assembly (Cat. Nos. MB-9300 and MBX-9306). Complete breaker price also includes Amp-traps, Amp-trap housing, and line and load end pressure wire connectors. Wire range is five cable 300-600 MCM (Cu or Al) (Cat. No. TA5-P600). Refer to Section 2.6.5, Page 3 for other connectors available. Deduct \$30.00 from list price for each connector not required, and specify same with order.

† Fused circuit interrupter (for high-fault short circuit protection and disconnect service only).

‡ For CM, CP or CR two-pole application, use two outside poles only.

CM BREAKER FRAME ONLY

Description	Cat. No.	List Price	Ship. Wgt., Lb.
Three Pole	CM3-F800	\$700.00	75

CP, CR CONNECT-ALL MOUNTING ASSEMBLY ONLY

Description	Cat. No.	List Price	Ship. Wgt., Lb.
Two mounting blocks, mounting pan and mounting pan extension	MB-9300 and MBX-9306	\$125.00	58

INTERRUPTING RATINGS
(Based on NEMA Test Procedures)

Voltage		Amperes	
		Asymmetrical	Symmetrical
A-C	240	235,000	200,000
	480	120,000	100,000
	600	120,000	100,000
D-C	250	100,000	

‡ Registered trademark, The Chase-Shawmut Company.

AMP-TRAP COMPONENTS ONLY

Breaker Frame	Amp-Trap Current-Limiters (One Per Pole)		Housing Only	
	Cat. No.	List Price	Cat. No.	List Price
CM	AT1-CM20	\$95.00	AH0-M800	\$70.00
CP	AT1-CP25	153.00	AH3-P160	495.00
CR	AT1-CR30	153.00	AH3-R200	495.00

∅ Consists of Amp-trap cover and three Amp-traps.

FOR DIMENSIONS—See Section 2.4.2, Pages 3-4. (Refer to Page 4 for CR dimensions.)

FOR OPTIONAL ACCESSORY PRICING—See Section 2.6.5, Pages 1-6.

FOR ENCLOSURE PRICING—See Section 2.7.5, Pages 1-2.

SPECIFICATIONS

Breaker Frame	Underwriters' Laboratories, Inc.	Federal Specifications W-C-375
CM	—	Class 6
CP, CR	—	Not Applicable