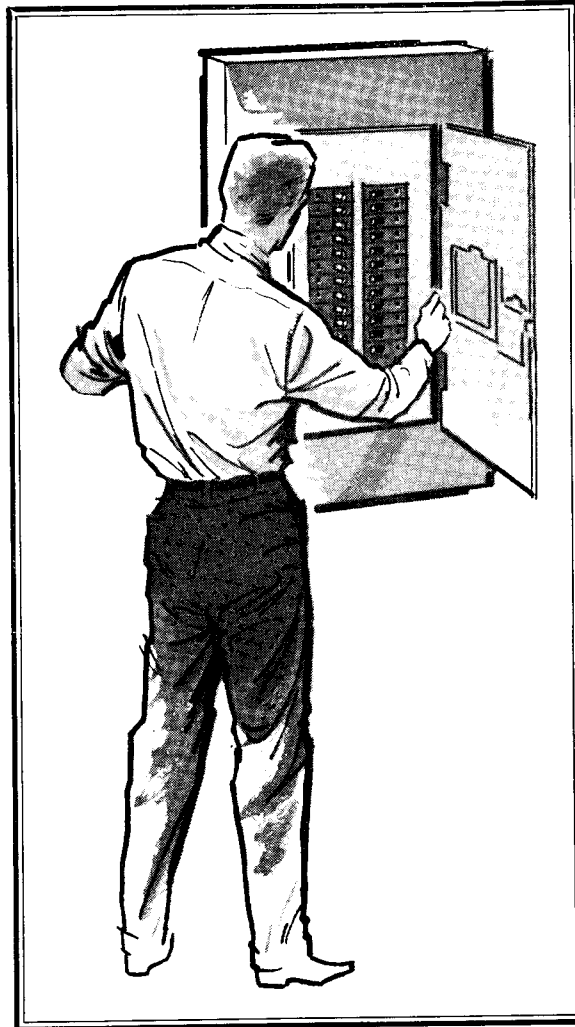


**EQ® NORMAL-DUTY CIRCUIT BREAKERS****DESCRIPTION****APPLICATIONS**

EQ normal-duty thermal-magnetic circuit breakers are designed for use in residential, commercial and industrial load centers, panelboards, electrical machinery, distribution switchboards, secondary unit substations and individual enclosures where available fault currents are of limited magnitude.

RATINGS

These breakers have ratings of 15 through 225 amperes, 120/240 and 240 volts A-C, with 5000 and 10,000 amperes interrupting capacity.

FEATURES

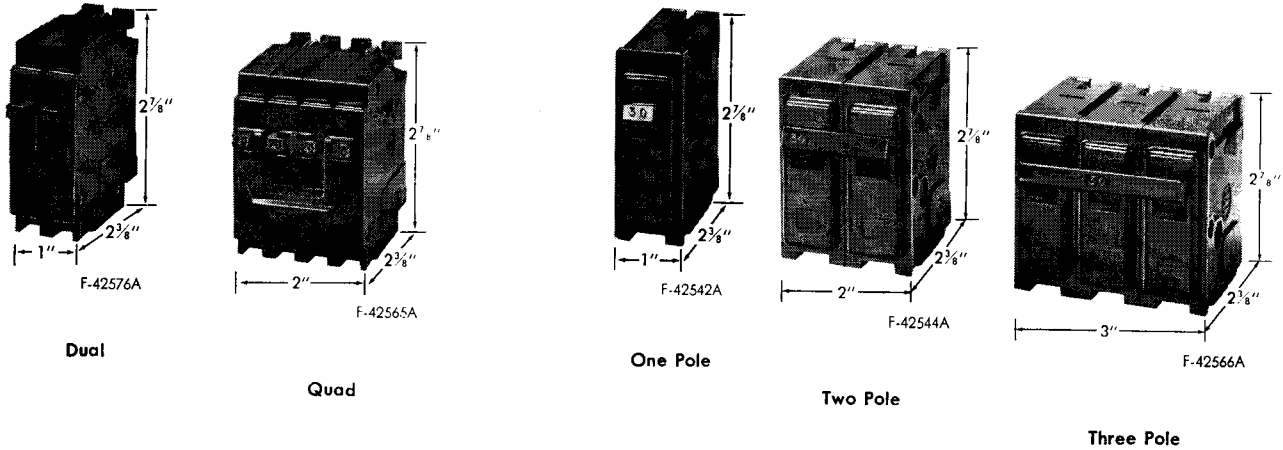
Normal-duty breakers combine instantaneous-magnetic short circuit protection with thermal time-delay overload protection. They have a quick-make, quick-break, trip-free mechanism design, coupled with common trip operation to assure all poles of the breaker opening simultaneously and automatically in the event of a fault or overload on any pole. These breakers cannot be held closed under abnormal conditions. A three-position handle visually indicates if the breaker is "on," "off", or has "tripped" on automatic operation.

Normal-duty breakers are factory calibrated for 40C (104F) operation and sealed to prevent tampering.



EQ® NORMAL-DUTY CIRCUIT BREAKERS

DESCRIPTION

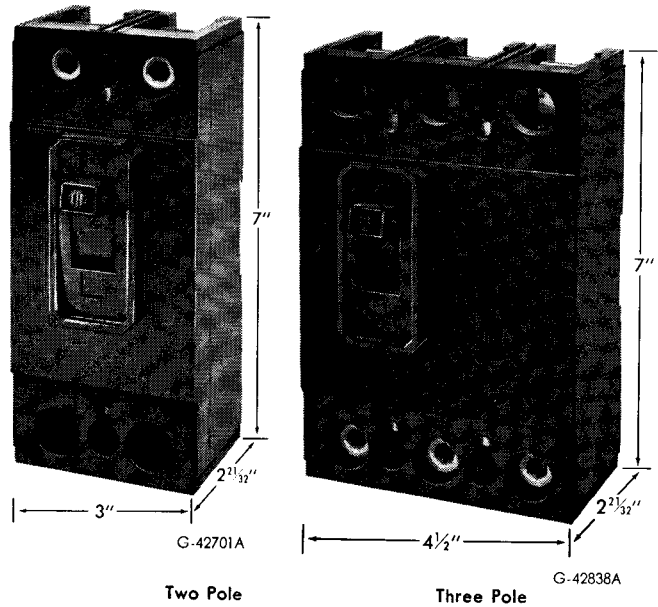
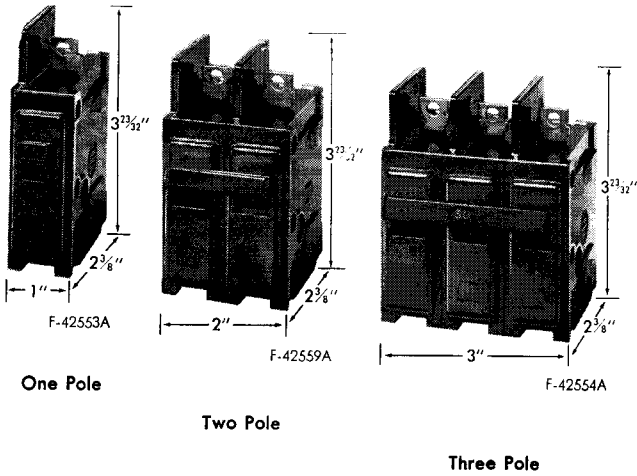


EQ-T Half-Size Plug-In
 120/240 Volts A-C

Dual 15 and 20 Amperes • Quad 15-40 Amperes

EQ-P Plug-In

1, 2 Pole 120/240 Volts A-C • 2, 3 Pole 240 Volts A-C
 15-125 Amperes



EQ-B Bolted

1, 2 Pole 120/240 Volts A-C • 2, 3 Pole 240 Volts A-C
 15-100 Amperes

EQ-225

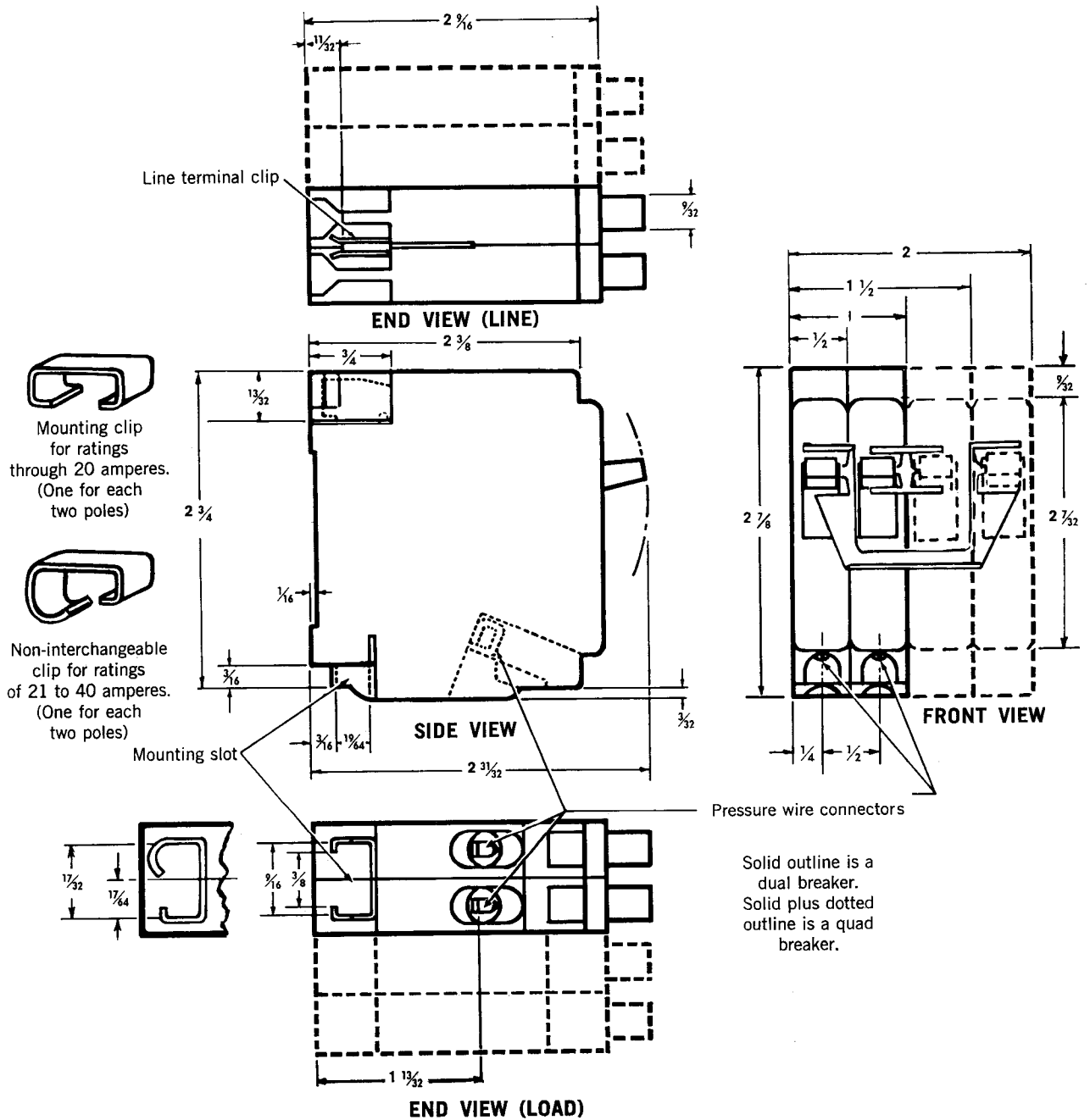
240 Volts A-C
 125-225 Amperes



EQ®-T HALF-SIZE PLUG-IN CIRCUIT BREAKERS

DIMENSIONS

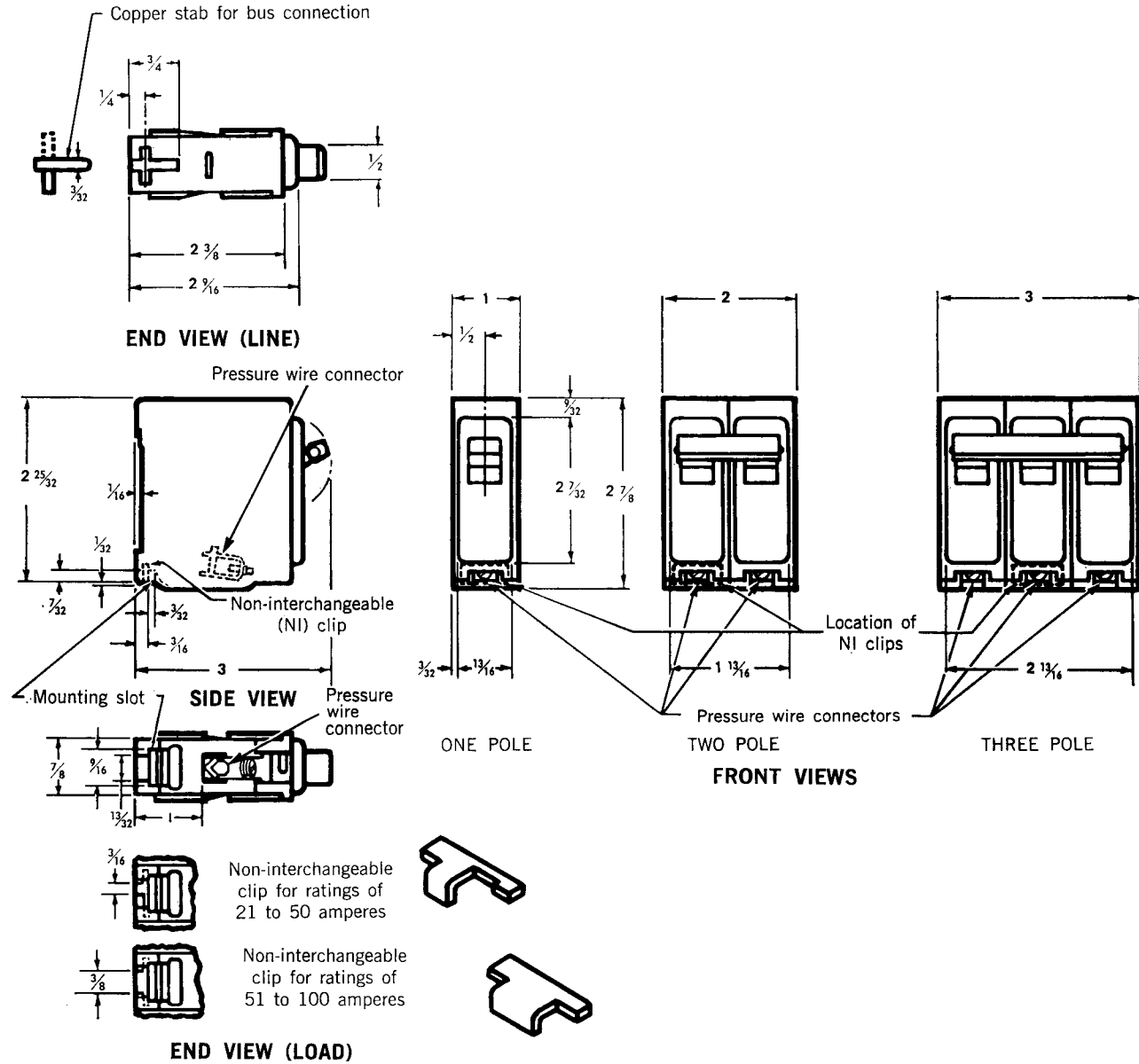
G-43231AA





EQ[®]-P PLUG-IN CIRCUIT BREAKERS DIMENSIONS

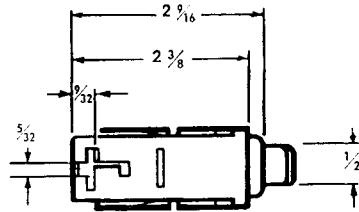
G-43232AA



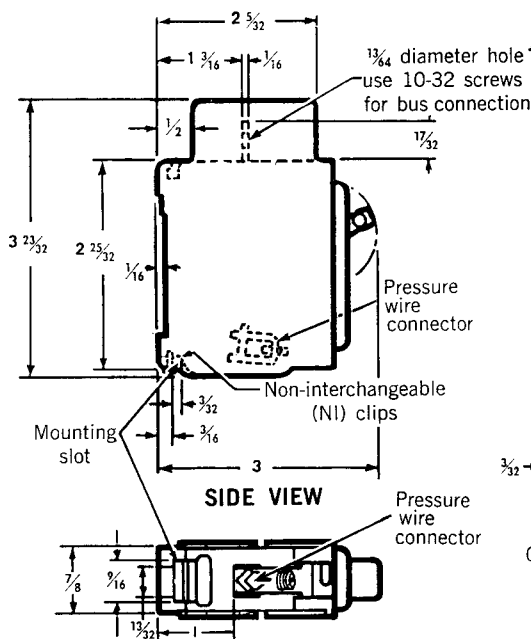


EQ®-B BOLTED CIRCUIT BREAKERS
DIMENSIONS

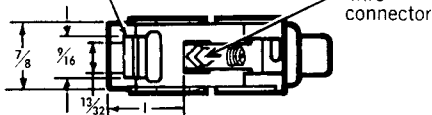
G-43233AA



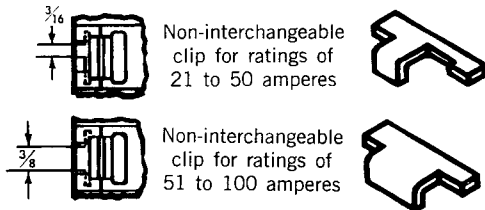
END VIEW (LINE)



SIDE VIEW



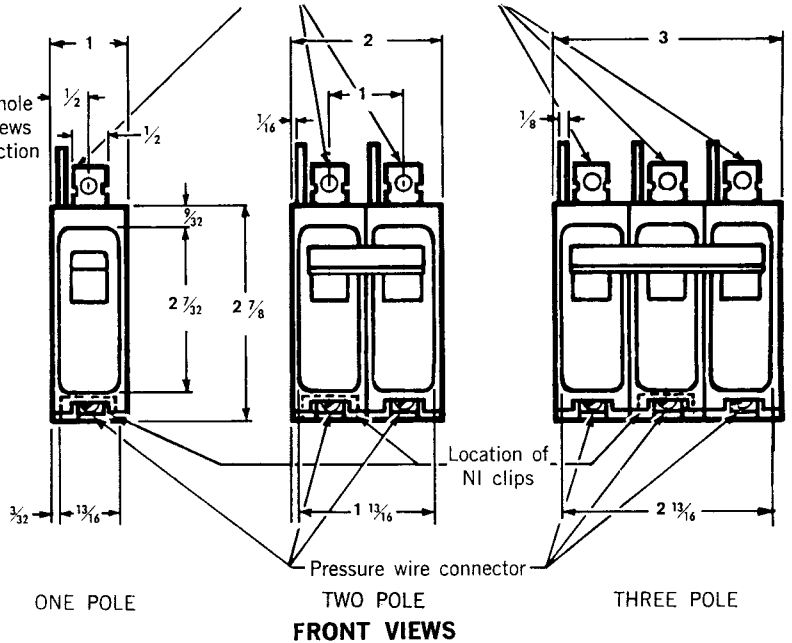
END VIEW (LOAD)



Non-interchangeable clip for ratings of 21 to 50 amperes

Non-interchangeable clip for ratings of 51 to 100 amperes

Line end terminal connections



ONE POLE

TWO POLE

THREE POLE

FRONT VIEWS

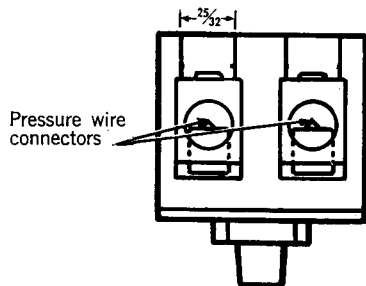
- Each auxiliary switch or shunt trip added to any of these breakers increases the width one inch. Each such modification is housed in a module of the same outline dimensions shown in the one-pole view above.



EQ®-225 CIRCUIT BREAKERS

DIMENSIONS

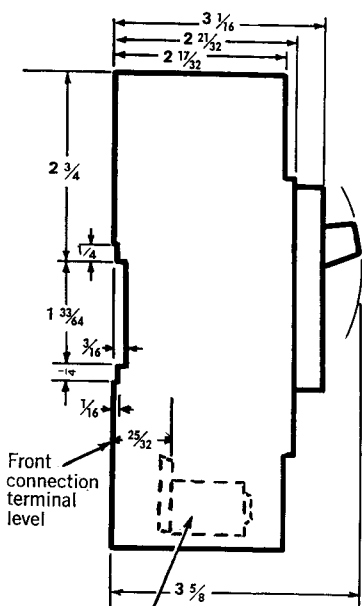
G-43234AA



Pressure wire connectors

END VIEW (LINE)

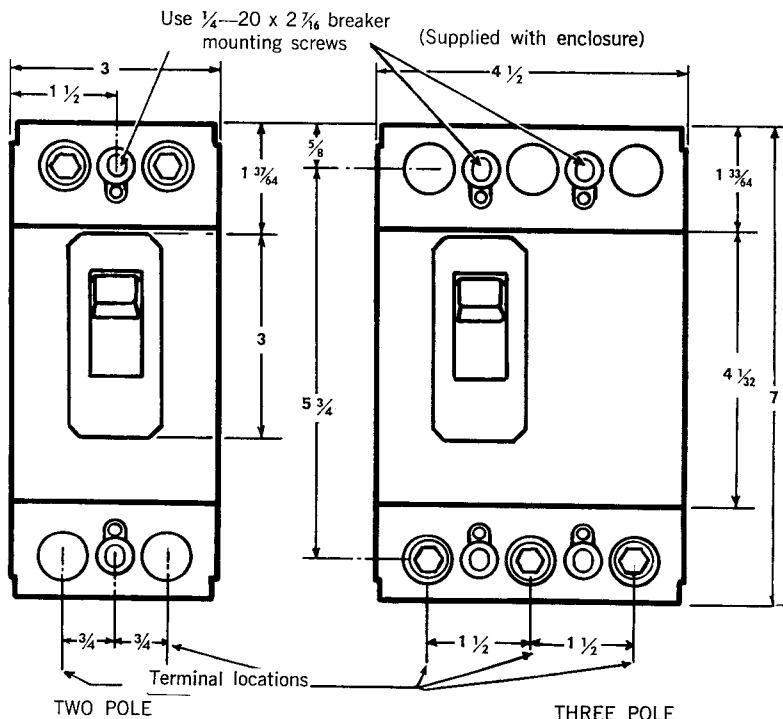
Line end front terminal level is identical with load end level.



Front connection terminal level

SIDE VIEW

Pressure wire connector



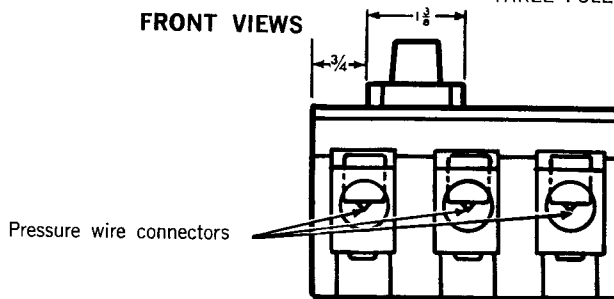
Use 1/4"-20 x 2 7/16 breaker mounting screws

(Supplied with enclosure)

TWO POLE

THREE POLE

FRONT VIEWS



Pressure wire connectors

END VIEW (LOAD)



EQ®-T AND EQ-P PLUG-IN CIRCUIT BREAKERS

**EQ-T 15-40 AMPERES • EQ-P 15-125 AMPERES
40C CALIBRATION**

PRICING

Rating, Amperes	Cat. No.	List Price	Packaging		List Price, Ship. Pkg.	Weight, Lb./Ship. Pkg.
			Carton	Ship. Pkg.		
EQ-T						
EQ-T DUAL (2-ONE POLE)* 120/240 VOLTS A-C						
15-15	QT1-1515	\$5.40	6	90	\$486.00	32
15-20	QT1-1520					
20-20	QT1-2020					
EQ-T QUAD (2-TWO POLE)* 120/240 VOLTS A-C						
20-20	QT2-2020	10.80	3	45	486.00	32
30-30	QT2-3030					
40-30	QT2-4030					
40-40	QT2-4040					
EQ-P						
EQ-P ONE POLE** 120/240 VOLTS A-C						
15	QP1-B015	2.70	6	90	243.00	28
20	QP1-B020					
30	QP1-B030					
40	QP1-B040					
50	QP1-B050					
EQ-P TWO POLE** 120/240 VOLTS A-C						
15	QP2-B015	6.40	3	45	288.00	30
20	QP2-B020					
30	QP2-B030					
40	QP2-B040	13.00	3	45	585.00	30
50	QP2-B050					
60	QP2-B060 [†]					
70	QP2-B070 [†]					
90	QP2-B090	17.60			792.00	
100	QP2-B100	17.60			792.00	
125	QP2-B125	41.00			1,845.00	
EQ-P TWO POLE** 240 VOLTS A-C						
15	QP2-H015	17.60	3	45	792.00	30
20	QP2-H020					
30	QP2-H030					
40	QP2-H040	20.50	3	45	922.50	30
50	QP2-H050					
60	QP2-H060					
70	QP2-H070					
90	QP2-H090					
100	QP2-H100					

Rating, Amperes	Cat. No.	List Price	Packaging		List Price, Ship. Pkg.	Weight, Lb./Ship. Pkg.
			Carton	Ship. Pkg.		
EQ-P						
EQ-P THREE POLE** 240 VOLTS A-C						
15	QP3-B015	\$22.00	2	30	\$660.00	30
20	QP3-B020					
30	QP3-B030					
40	QP3-B040					
50	QP3-B050					
70	QP3-B070	28.00			840.00	
90	QP3-B090	32.00			960.00	
100	QP3-B100	32.00			960.00	
SPECIAL-PURPOSE EQ-P BREAKERS						
EQ-P SWITCHING NEUTRAL (Gas Station) TWO POLE** 120/240 VOLTS A-C						
15	QG2-B015	8.60	3	36	309.60	24
20	QG2-B020					
30	QG2-B030					
EQ-P SWITCHING NEUTRAL (Gas Station) THREE POLE** 120/240 VOLTS A-C						
15	QG3-B015	12.80	2	24	307.20	24
20	QG3-B020					
30	QG3-B030					
EQ-P WATER HEATER TWO POLE**† 240 VOLTS A-C						
15	QW2-B015	6.90	—	1	6.90	1½
20	QW2-B020					
30	QW2-B030					
40	QW2-B040					
EQ-P DELTA THREE POLE**‡ 240 VOLTS A-C						
15	QD3-B015	22.00	—	1	22.00	2
20	QD3-B020					
30	QD3-B030					
40	QD3-B040					
EQ-P TUNGSTEN LOAD (Dimmer) ONE POLE** 120/240 VOLTS A-C						
20	QP1-T020	2.70	6	90	243.00	28
EQ-P HIGH-INTERRUPTING ONE POLE** 120/240 VOLTS A-C						
15	QP1-B015L	5.50	6	90	495.00	28
20	QP1-B020L					
30	QP1-B030L	6.30	6	90	567.00	28
40	QP1-B040L					
50	QP1-B050L					

MULTI-POLE EQ-P BREAKERS HAVE A COMMON-TRIP FEATURE

♦ In tables on this page, EQ-P breakers marked with this symbol (♦) are listed by U/L for application on circuits where fault currents up to 10,000 amperes (asymmetrical or symmetrical) are available.

* EQ-T price includes load end pressure wire connector. Wire range is single cable #14-#10 AWG (Cu) for 15- and 20-ampere breakers; #14-#8 AWG (Cu) for 30- and 40-ampere breakers.

** EQ-P price includes load end pressure wire connectors. Wire range is single cable #14-#8 AWG (Cu) for 10- to 30-ampere breakers; #8-#4 AWG (Cu) for 40- to 70-ampere breakers; #8-#1 AWG (Cu or Al) for 90-, 100-, 125-ampere breakers.

† These breakers can be supplied with load end pressure wire connectors to accept #8-#1 AWG (Cu or Al) cable. To order, substitute "A" in place of "B" in catalog number. Example: QP2-A060.

‡ Requires three pole spaces.

§ Requires four pole spaces.

FOR DIMENSIONS—See Section 2.1.2, Pages 1-2.

FOR OPTIONAL ACCESSORY PRICING—See Section 2.6.5, Pages 1-2.

FOR ENCLOSURE PRICING—See Section 2.7.5, Page 1.

**INTERRUPTING RATINGS
(Based on NEMA Test Procedures)**

Breaker	Voltage A-C		Amperes	
			Asymmetrical	Symmetrical
EQ-T	Dual	120/240	5,000	5,000
	Quad	120/240	5,000	5,000
EQ-P	1, 2 Poles	120/240	5,000	5,000
	2, 3 Poles	240	10,000	10,000

SPECIFICATIONS

Breaker	Underwriters' Laboratories, Inc.	Federal Specification W-C-375
EQ-T	Listed	Class 1A
EQ-P		
	Listed	Class 1A and 1B



EQ®-B BOLTED AND EQ-225 CIRCUIT BREAKERS

**EQ-B 15-100 AMPERES • EQ-225 125-225 AMPERES
40C CALIBRATION**

PRICING

Rating, Amperes	Cat. No.	List Price	Packaging		List Price, Ship. Pkg.	Weight, Lb./Ship. Pkg.					
			Carton	Ship. Pkg.							
EQ-B											
EQ-B ONE POLE* 120/240 VOLTS A-C											
15 20 30 40 50	BQ1-B015 BQ1-B020 BQ1-B030 BQ1-B040 BQ1-B050	\$3.50	6	72	\$252.00	23					
EQ-B TWO POLE* 120/240 VOLTS A-C											
15 20 30	BQ2-B015 BQ2-B020 BQ2-B030						7.70	3	36	277.20	24
40 50 60	BQ2-B040 BQ2-B050 BQ2-B060										
70 90 100	BQ2-B070 BQ2-B090 BQ2-B100										
EQ-B TWO POLE* 240 VOLTS A-C											
15 20 30	BQ2-H015 BQ2-H020 BQ2-H030	19.60	3	36	705.60	24					
40 50 60 70	BQ2-H040 BQ2-H050 BQ2-H060 BQ2-H070										
90 100	BQ2-H090 BQ2-H100						22.50	810.00			
EQ-B THREE POLE* 240 VOLTS A-C											
15 20 30 40 50	BQ3-B015 BQ3-B020 BQ3-B030 BQ3-B040 BQ3-B050	24.40	2	24	585.60	24					
70 90 100	BQ3-B070 BQ3-B090 BQ3-B100						31.00 36.00 36.00	744.00 864.00 864.00			

Rating, Amperes	Cat. No.	List Price	Packaging		List Price, Ship. Pkg.	Weight, Lb./Ship. Pkg.							
			Carton	Ship. Pkg.									
SPECIAL-PURPOSE EQ-B BREAKERS													
EQ-B SWITCHING NEUTRAL (Gas Station) TWO POLE* 120/240 VOLTS A-C													
15 20	BG2-B015 BG2-B020	\$10.30	2	24	\$247.20	16							
EQ-B TUNGSTEN LOAD (Dimmer) ONE POLE* 120/240 VOLTS A-C													
20	BQ1-T020	3.50	6	72	252.00	23							
EQ-B HIGH-INTERRUPTING ONE POLE* 120/240 VOLTS A-C													
15 20	BQ1-B015L BQ1-B020L	6.10	6	72	439.20	23							
30 40 50	BQ1-B030L BQ1-B040L BQ1-B050L						7.00	504.00					
EQ-225													
EQ-225 TWO POLE** 240 VOLTS A-C													
125 150 175 200 225	QJ2-B125 QJ2-B150 QJ2-B175 QJ2-B200 QJ2-B225	41.00	1	8	328.00	27							
EQ-225 THREE POLE** 240 VOLTS A-C													
125 150 175 220 225	QJ3-B125 QJ3-B150 QJ3-B175 QJ3-B200 QJ3-B225						110.00	1	6	660.00	27		
225†	QJ3-S225											98.00	588.00

MULTI-POLE EQ-B BREAKERS HAVE A COMMON-TRIP FEATURE
♦ In tables on this page, EQ-B breakers marked with this symbol (♦) are listed by U/L for application on circuits where fault currents up to 10,000 amperes (asymmetrical or symmetrical) are available.

* EQ-B price includes load end pressure wire connectors. Wire range is single cable #14-#8 AWG (Cu) for 10- to 30-ampere breakers; #8-#4 AWG (Cu) for 40- to 70-ampere breakers; #8-#1 AWG (Cu or Al) for 90- and 100-ampere breakers. If line end connectors (Cat. No. TC1-Q1) are required, specify by catalog number, at no additional charge.

** EQ-225 price includes line end pressure wire connectors for two-pole breakers load end pressure wire connectors for three-pole breakers. Wire range is single cable #4 AWG 300 MCM (Cu or Al) (Cat. No. TA1-Q300). If connectors are required for both line and load end, specify by catalog number at no additional charge.

† Non-automatic circuit interrupter (disconnect device only).

FOR DIMENSIONS—See Section 2.1.2, Pages 3-4.

FOR OPTIONAL ACCESSORY PRICING—See Section 2.6.5, Pages 1-3

FOR ENCLOSURE PRICING—See Section 2.7.5, Page 1.

**INTERRUPTING RATINGS
(Based on NEMA Test Procedures)**

Breaker	Voltage A-C		Amperes	
			Asymmetrical	Symmetrical
EQ-B	1, 2 Poles	120/240	5,000	5,000
	2, 3 Poles	240	10,000	10,000
EQ-225	2, 3 Poles	240	10,000	10,000

SPECIFICATIONS

Breaker	Underwriters' Laboratories, Inc.	Federal Specification W-C-375
EQ-B	Listed	Class 1A and 1B
EQ-225	Listed	—