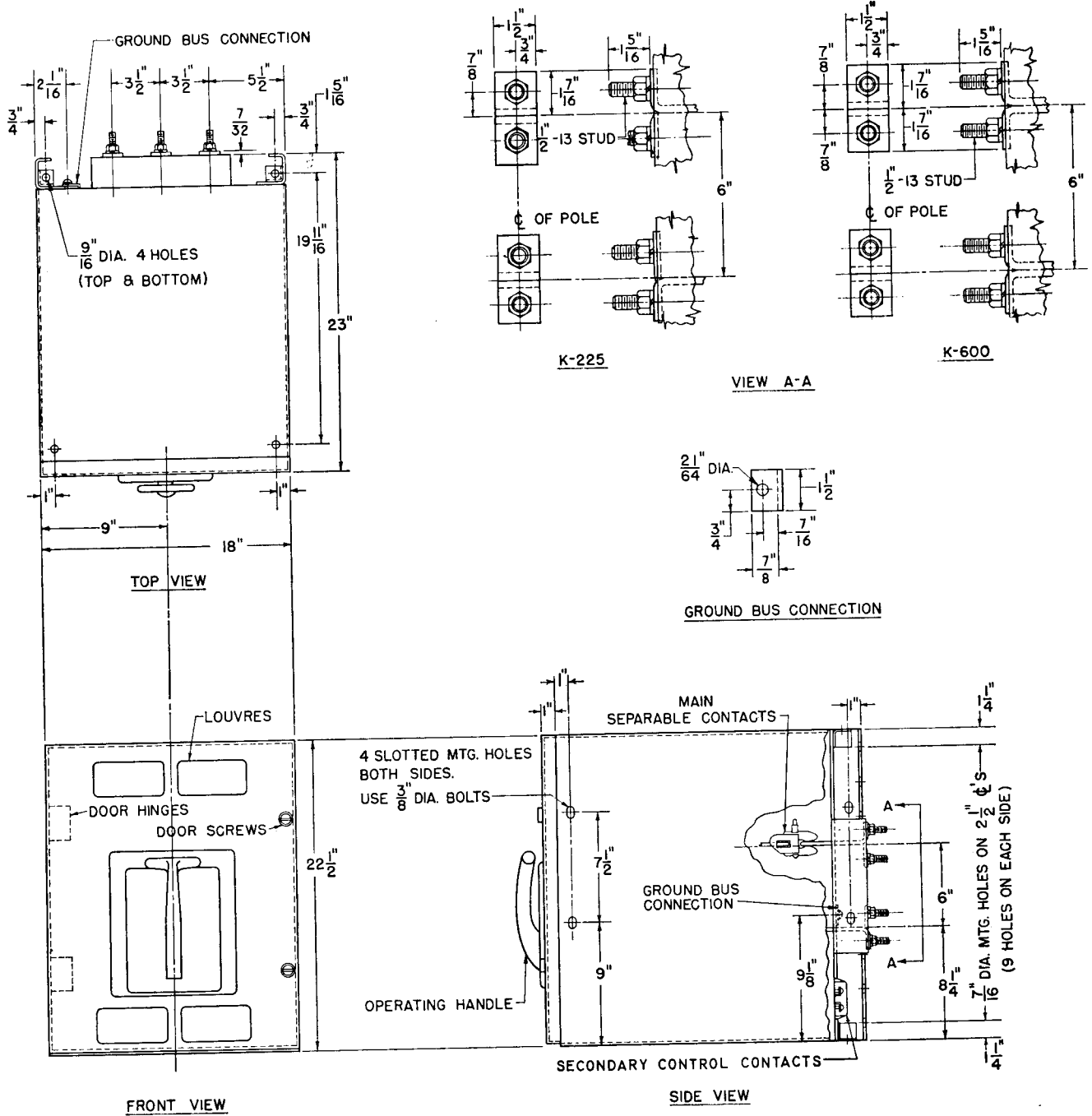




DIMENSIONS
TYPES K-225 AND K-600 CIRCUIT BREAKERS
ONE-HIGH DRAWOUT UNIT



GENERAL INFORMATION

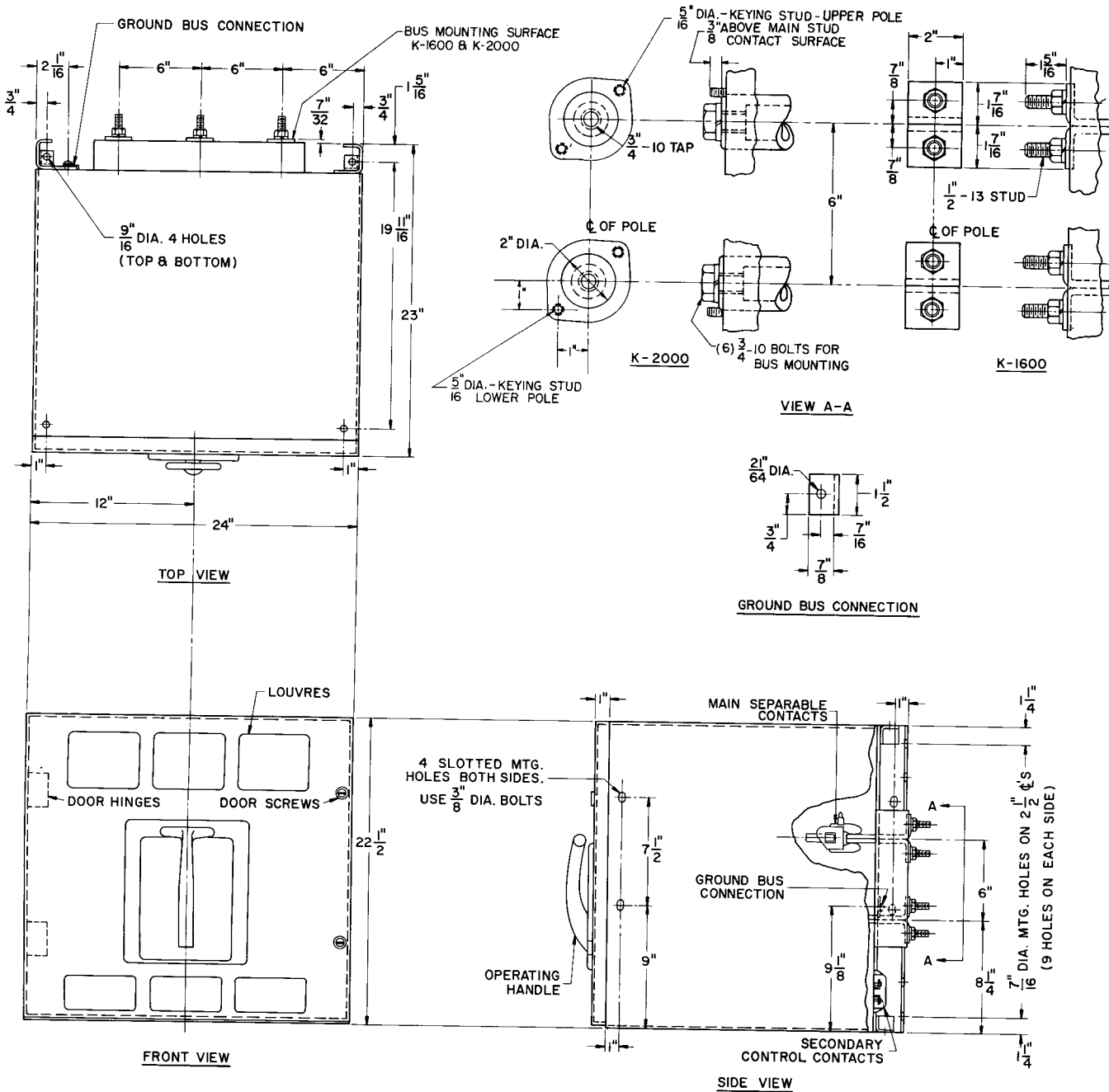
ARRANGEMENT OF CIRCUIT BREAKER POLES:
 THREE POLE AS SHOWN, TWO POLE—CENTER POLE OMITTED.
 FINISH: LIGHT GRAY.



Dwg. S-16739—Rev. 1

DIMENSIONS

**K-1600 AND K-2000 CIRCUIT BREAKERS
ONE-HIGH DRAWOUT UNIT**

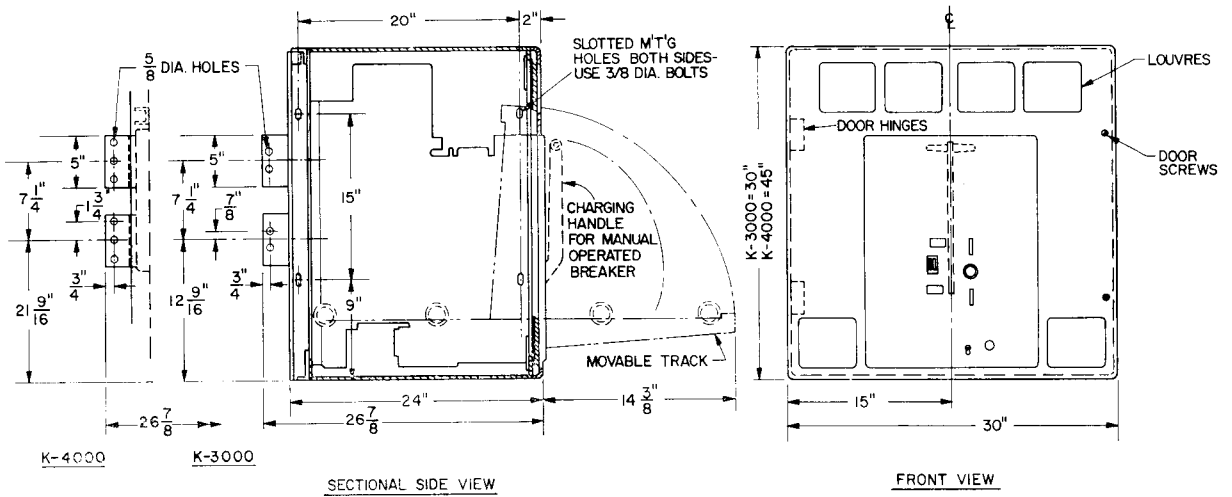
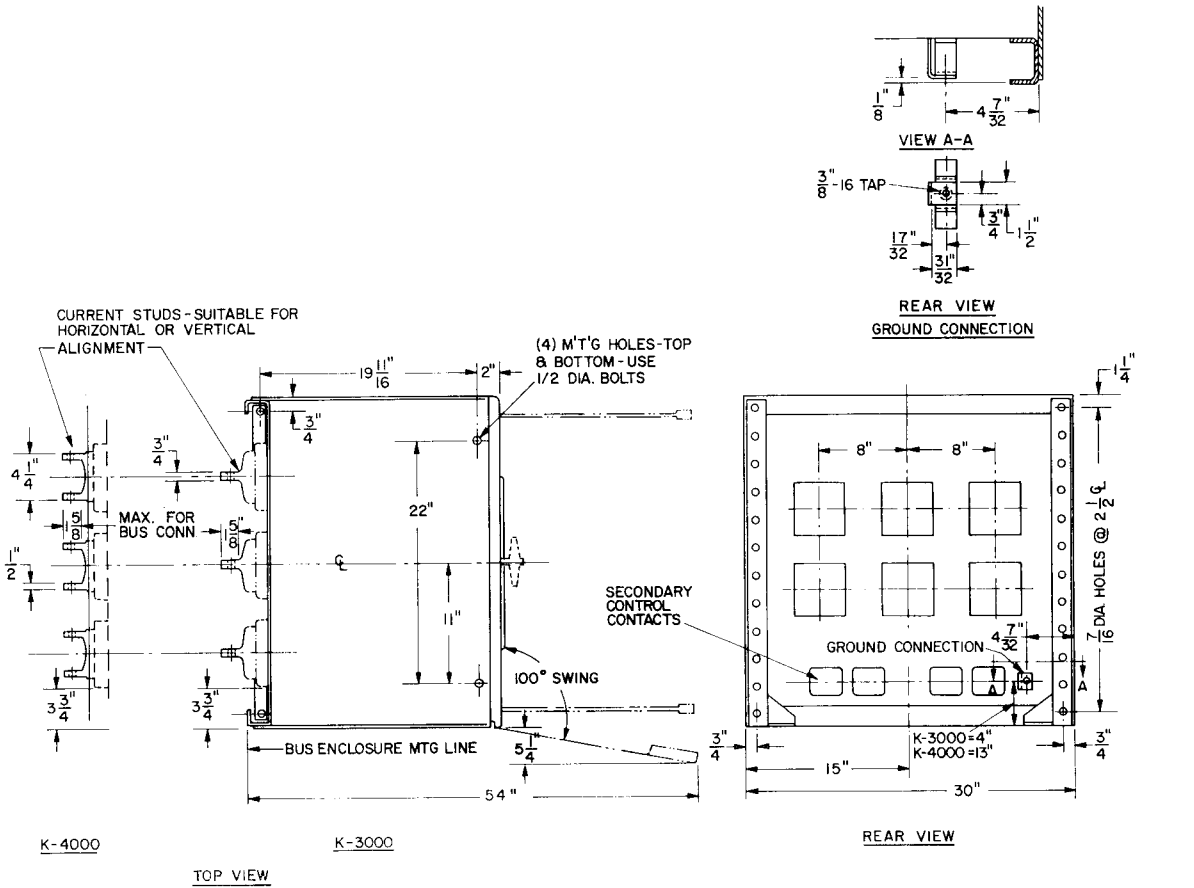


GENERAL INFORMATION

ARRANGEMENT OF CIRCUIT BREAKER POLES:
THREE POLE AS SHOWN, TWO POLE-CENTER POLE OMITTED.
FINISH:
LIGHT GRAY.



DIMENSIONS
TYPES K-3000 AND K-4000 CIRCUIT BREAKERS
ONE-HIGH DRAWOUT UNIT

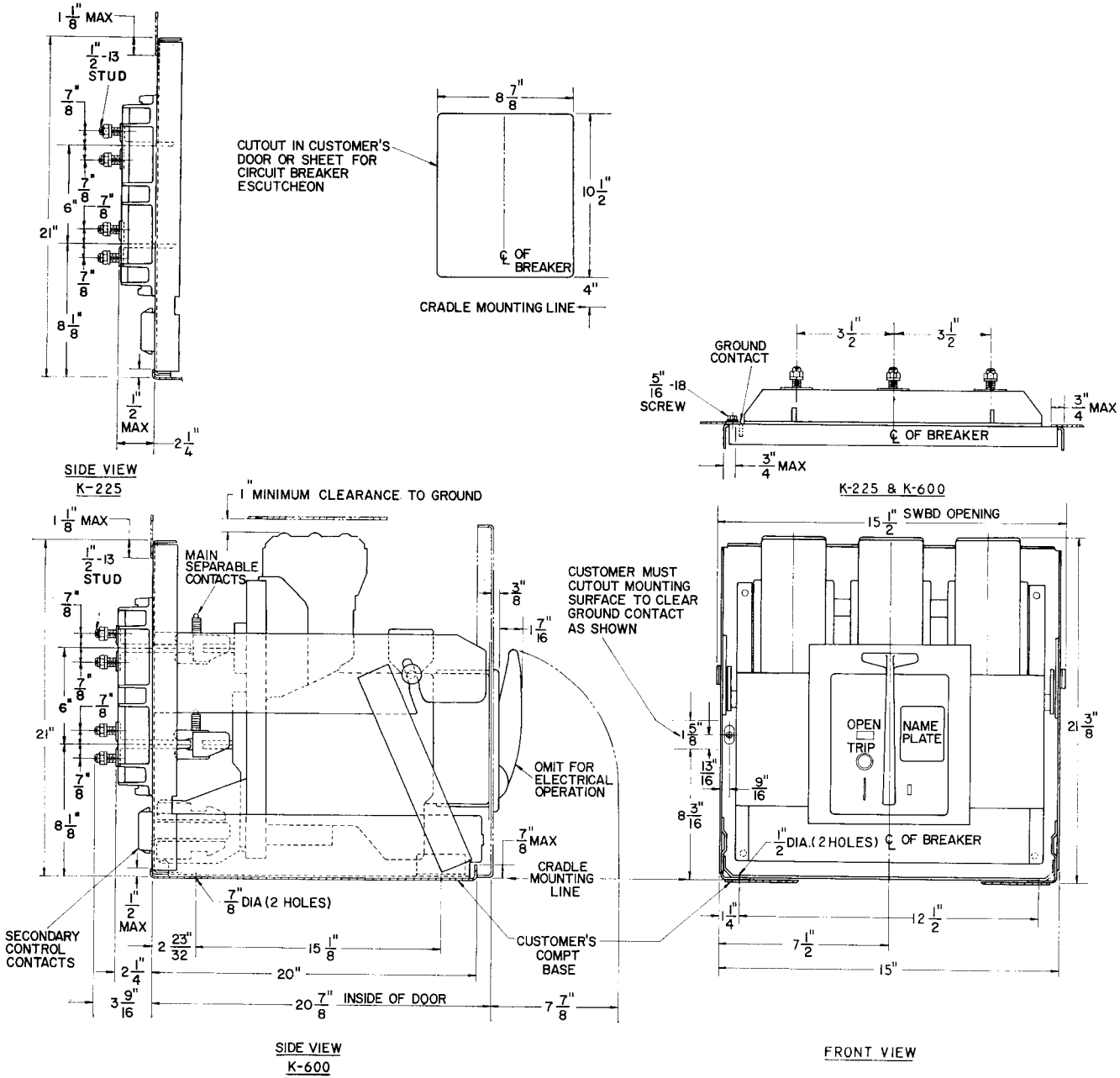


GENERAL INFORMATION
 ARRANGEMENT OF CIRCUIT BREAKER POLES:
 THREE POLE AS SHOWN-
 TWO POLE, CENTER POLE OMITTED.



DIMENSIONS

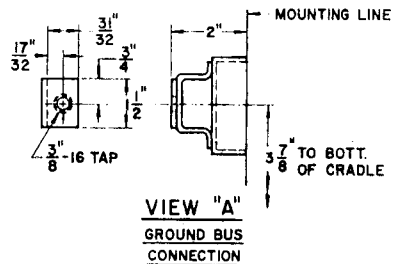
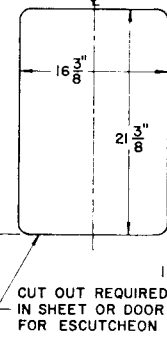
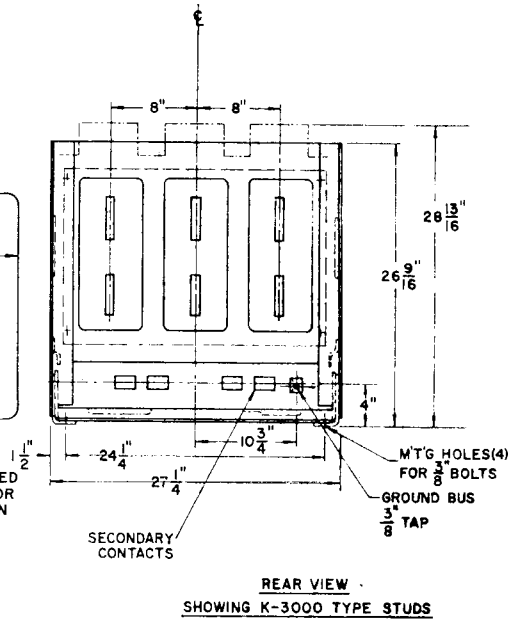
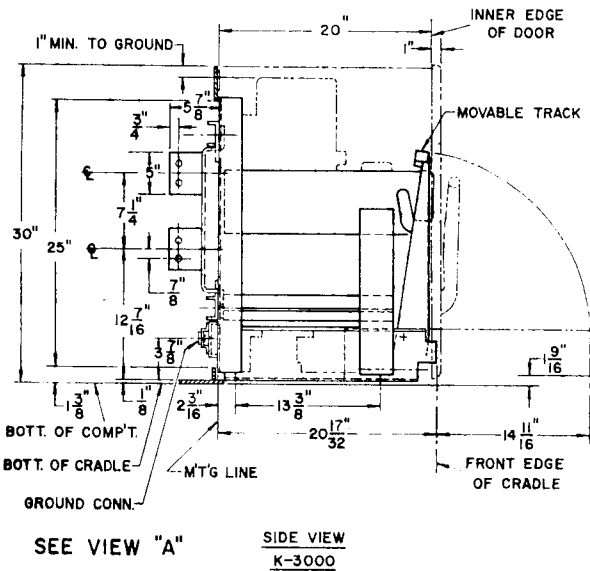
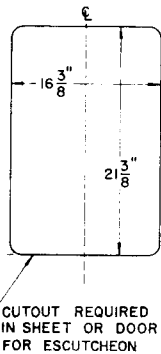
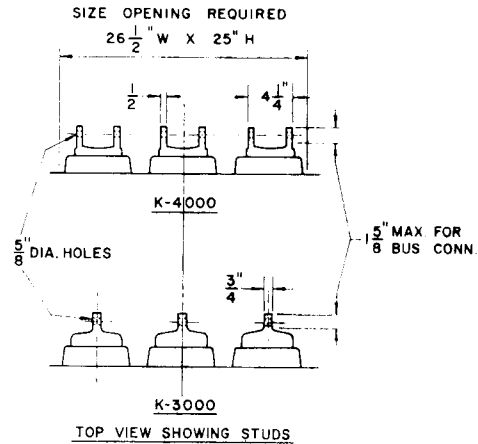
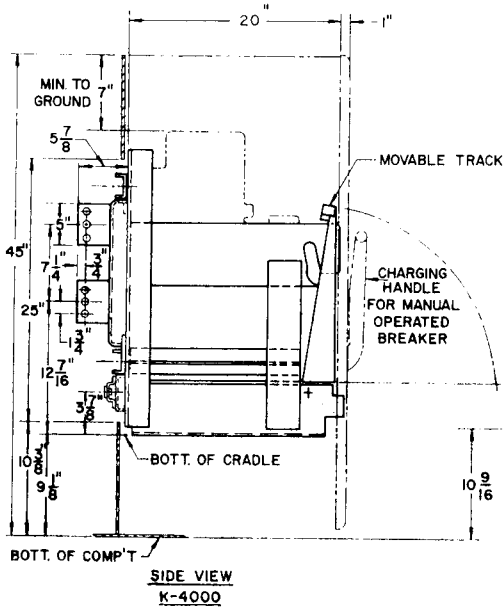
**TYPE K-225 AND K-600 CIRCUIT BREAKERS
DRAWOUT CRADLE**





Dwg. S-16806—Rev. 0

DIMENSIONS
TYPES K-3000 and K-4000 CIRCUIT BREAKERS
DRAWOUT CRADLE



- NOTES:**
1. THREE POLE CRADLE SHOWN.
 2. TWO POLE (CENTER POLE OMITTED).
 3. CURRENT STUDS SUITABLE FOR VERTICAL OR HORIZONTAL ALIGNMENT.