



Power Circuit Breakers

Instrument Transformer Mounting Hardware Kit for Substructure Cat. No. TAK1SR01, TAK1SR02, TAK1SR01F, TAK1SR02F

CAUTION: To avoid electrical hazard, make sure primary and secondary circuits are not energized while working in the compartment.

KIT CONTENTS (CAT. NO. 343L880G1)

The kit shown in Figure 1 contains two lengths of studs, nuts, lockwashers, wire ties, and a grommet strip.

INSTRUCTIONS

This hardware must be installed on the polyester glass back plate before the substructure is installed in any equipment.

Before beginning assembly, the polyester glass barrier supporting the tips of the load conductors must be removed. Disassemble the hardware connecting the steel brackets to each load conductor, then remove the bolts securing the barrier to the brackets at each side. Save all hardware.

Assemble the studs through the holes already machined in the polyester glass back plate. These holes are located on a line $1\frac{3}{4}$ " below the centerline of the load conductors. The instrument transformers (not supplied) may now be slipped over these studs as shown and fastened with the nuts and lockwashers.

Make connections of control wiring to the #10-32 secondary wiring terminals. Use wire ties to bundle wires and the grommet strip to line the $1\frac{1}{4}$ " diameter wiring access hole. Re-assemble the load support in reverse order of removal.

Instrument transformers must be ordered separately and are listed in Table 1.

TABLE 1

Catalog Number	Current Ratio	
	Primary:	Secondary
631 × 27	100:	5
631 × 28	150:	5
631 × 29	200:	5
641 × 91	250:	5
631 × 30	300:	5
631 × 31	400:	5
641 × 92	500:	5
631 × 32	600:	5
631 × 33	800:	5

See back . . .

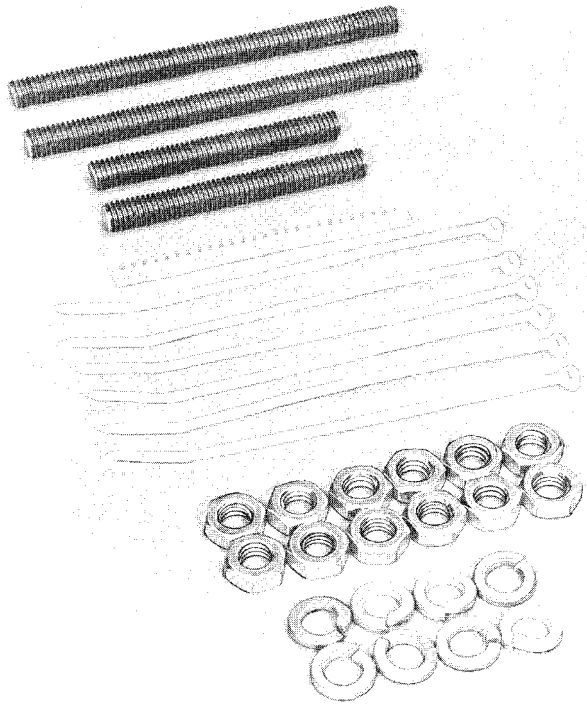


Figure 1.

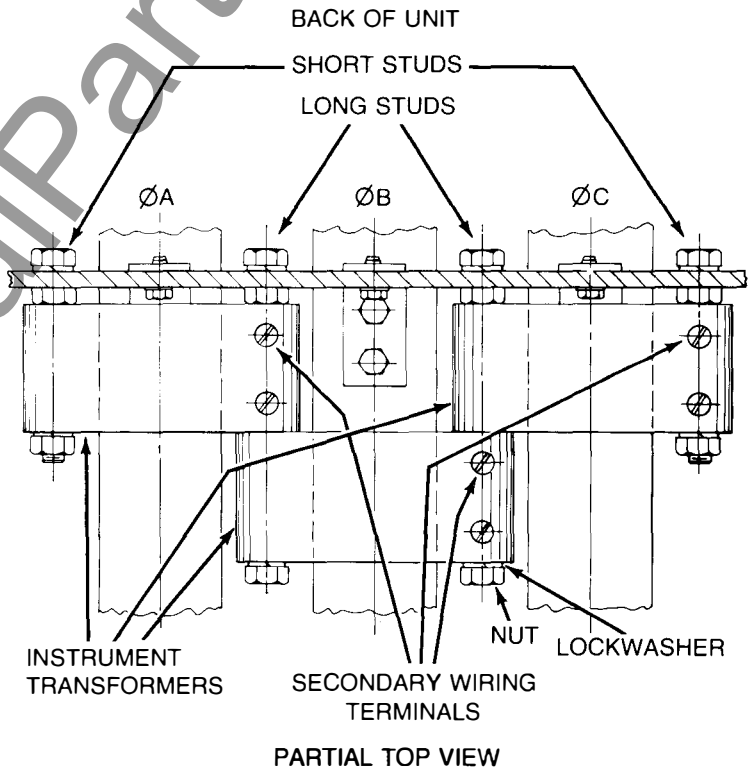


Figure 2.

© 1985 GENERAL ELECTRIC COMPANY

These instructions do not purport to cover all details or variations in equipment nor to provide for every possible contingency to be met in connection with installation operation or maintenance. Should further information be desired or should particular problems arise which are not covered sufficiently for the purchaser's purposes, the matter should be referred to the General Electric Company.

For further information
call or write your local
General Electric
Sales Office or . . .

General Electric
Company
41 Woodford Avenue
Plainville, CT 06062 U.S.A.

Outside the U.S. and Canada write International Trading Operations,
570 Lexington Avenue, New York, NY 10022 U.S.A.
GEH-5032 0185 PSA

GENERAL  **ELECTRIC**