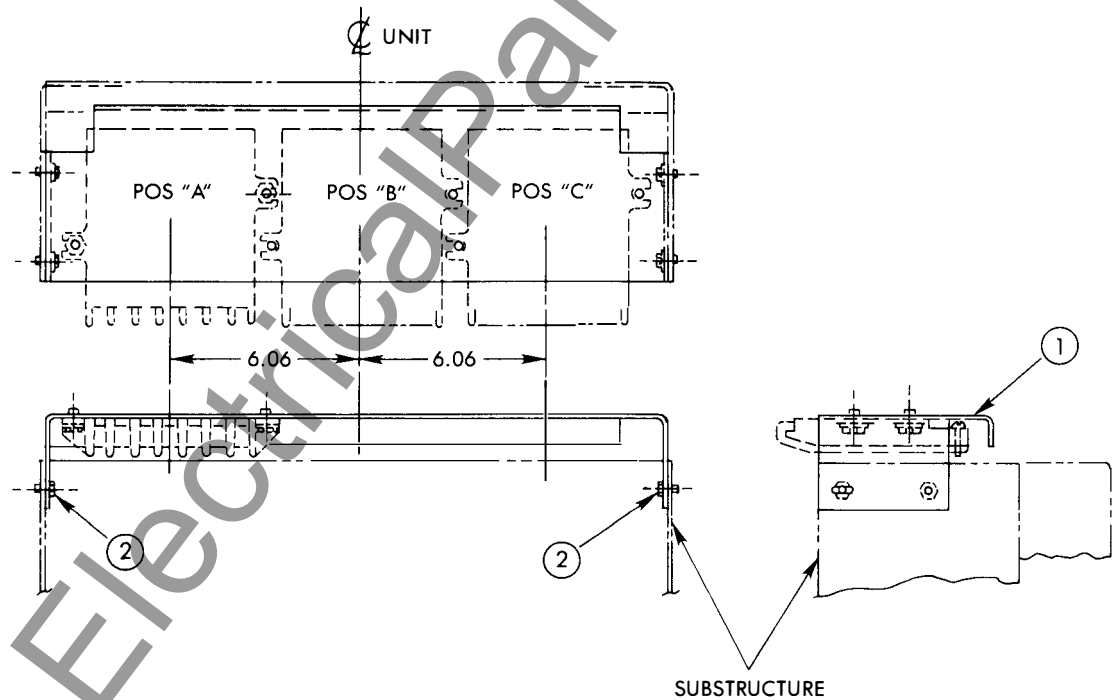
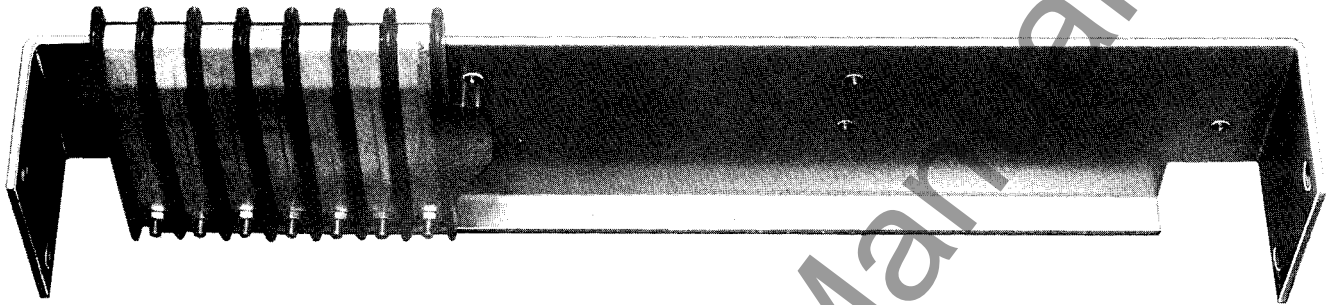




MOUNTING PLATE KIT

AKR SUBSTRUCTURE

Numbers on Drawing Correspond to Numbers on Enclosed Parts List



NOTE: ASSEMBLE SECONDARY DISCONNECTS IN POSITIONS A, B & C AS NEEDED.
MUST BE IN LINE WITH CONTACT PINS ON CIR. BKR.

These instructions do not purport to cover all details or variations in equipment nor to provide for every possible contingency to be met in connection with installation, operation or maintenance. Should further information be desired or should particular problems arise which are not covered sufficiently for the purchaser's purposes, the matter should be referred to the General Electric Company.

www.ElectricalPartManuals.com