

RENEWAL PARTS



TYPE FK-255 OIL CIRCUIT BREAKERS

Type FK-255-100

Type FK-255-250 (Formerly FKR-255B)

Type FK-255-150 (Formerly FKR-255A)

Type FK-255-500 (Formerly FKR-255C)

*B.F. Feeder
#4 Inc. Line*

FK-255-7.2-250-1

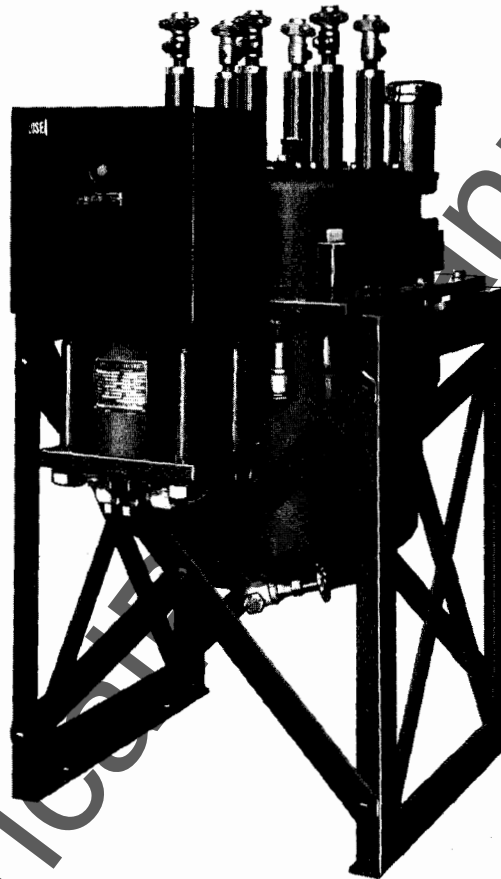
1200 AMP, 7200 Volt

Closing coil - 627500561

Trip coil - 617458261

*W. Dew 9. Rectifier
Transformer Breaker*

FKR-255 B



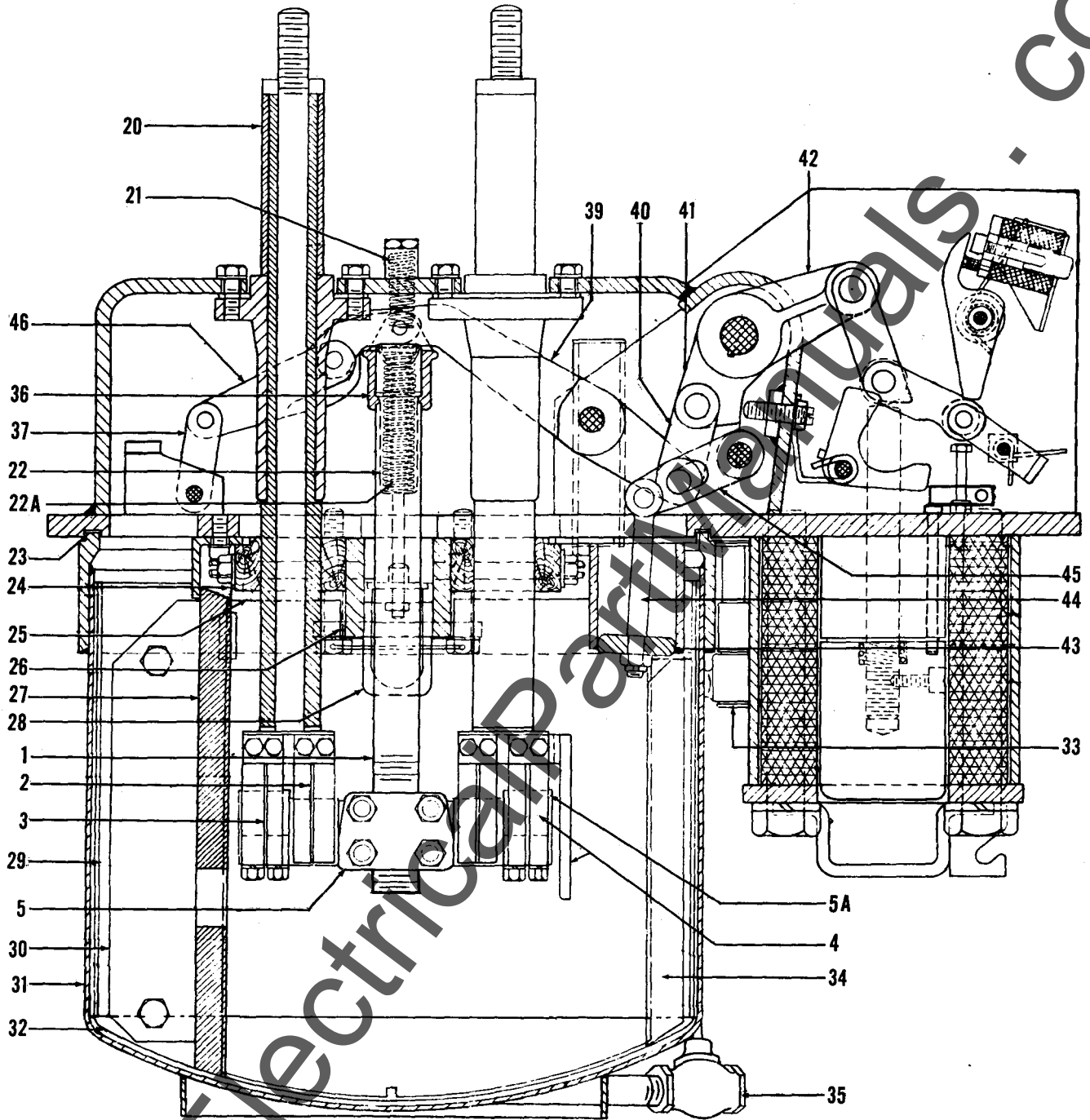
(PHOTO 854810)

Fig. 1. Type FK-255 oil circuit breaker

ORDERING INSTRUCTIONS

1. Always specify the complete nameplate data of the breaker and when furnished, of the mechanism.
2. Specify the quantity, catalog number (if listed), reference number (if listed), description, and this bulletin number.
3. Standard hardware, such as screws, bolts, nuts, washers, etc., is not listed in this bulletin. Such items should be purchased locally.
4. For prices refer to the nearest office of the General Electric Company.

GENERAL  ELECTRIC



(ART 39444)

Fig. 2. Oil circuit breaker parts

NOTE: Reference numbers illustrated in figure 2 and not listed on page 3 are listed on page 9.

TYPE FK-255 OIL CIRCUIT BREAKERS

GEF-3401C

CAUTION: Be sure to properly compare parts in existing breakers with those illustrated in this bulletin to assure that proper Catalog Numbers are specified on orders.

The following parts constitute those which are recommended for normal maintenance:

FOR BREAKERS RATED 100 MVA TO 250 MVA INCLUSIVE

Ref. No.	100 MVA	150 MVA 250 MVA	250 MVA	No. Furnished in Breaker	Description
	600 Amp 1200 Amp	600 Amp 1200 Amp	2000 Amp		
1	6024201P24	6024201P24	6024201P23	3	Operating rod
2	6318253G1	6318253G1	†6318253G3 Δ6318253G2	6	Main contact assembly complete with fingers, springs, pivots and stops
3	6318113G10	6318113G2	Δ6318113G4 †6318113G6	§3	§ Arcing contact assembly complete with fingers, springs, pivots and stops without arcing plate
4	6318113G9	6318113G1	Δ6318113G3 †6318113G5	§3	§ Arcing contact assembly complete with fingers, springs, pivots and stops with arcing plate
5	6020914P12	6020914P12	See page 8	3	Contact blade only
5A	3810294P7	6017837P11	See page 8	6	Arcing tip only

FOR BREAKERS RATED 500 MVA

Ref. No.	600 Amp	1200 Amp	2000 Amp	No. Furnished in Breaker	Description
1	6024201P23	6024201P23	6024201P23	3	Operating rod
2	6318253G1	6318253G1	†6318253G3 Δ6318253G2	6	Main contact assembly complete with fingers, springs, pivots and stops
3	†6412200G2 ø6318113G8	†6412200G2 ø6318113G8	†6412200G4 Δ6318113G4 ø6318113G6	§3	§ Arcing contact assembly complete with fingers, springs, pivots and stops without arcing plate
4	†6412200G1 ø6318113G7	†6412200G1 ø6318113G7	†6412200G3 Δ6318113G3 ø6318113G5	§3	§ Arcing contact assembly complete with fingers, springs, pivots and stops with arcing plate
5	See page 8	See page 8	See page 8	3	Contact blade only
5A	See page 8	See page 8	See page 8	6	Arcing tip only

† Early Design - for identification of detail parts refer to Pages 6 and 7

ø Modern Design - for identification of detail parts refer to Pages 6 and 7

§ In some of the early designs of this line of breakers, these "Arcing contact fingers with arcing plate" were not furnished. Instead, six of the "Arcing contact fingers without arcing plate" were furnished. Also in breakers of modern design all are furnished with a set of three of the "Arcing contact fingers with arcing plate." However, for applications of 7500 volts and above, the arcing plates are removed from the breakers, and thus for such installations the breaker is equipped with six of the "Arcing contact fingers without arcing plate." Be sure to specify Cat. No. of this arcing contact assembly which corresponds exactly with that to be replaced in the existing breaker.

Δ Intermediate Design - for identification of detail parts refer to Pages 4, 5, 6 and 7

TYPE FK-255 OIL CIRCUIT BREAKERS

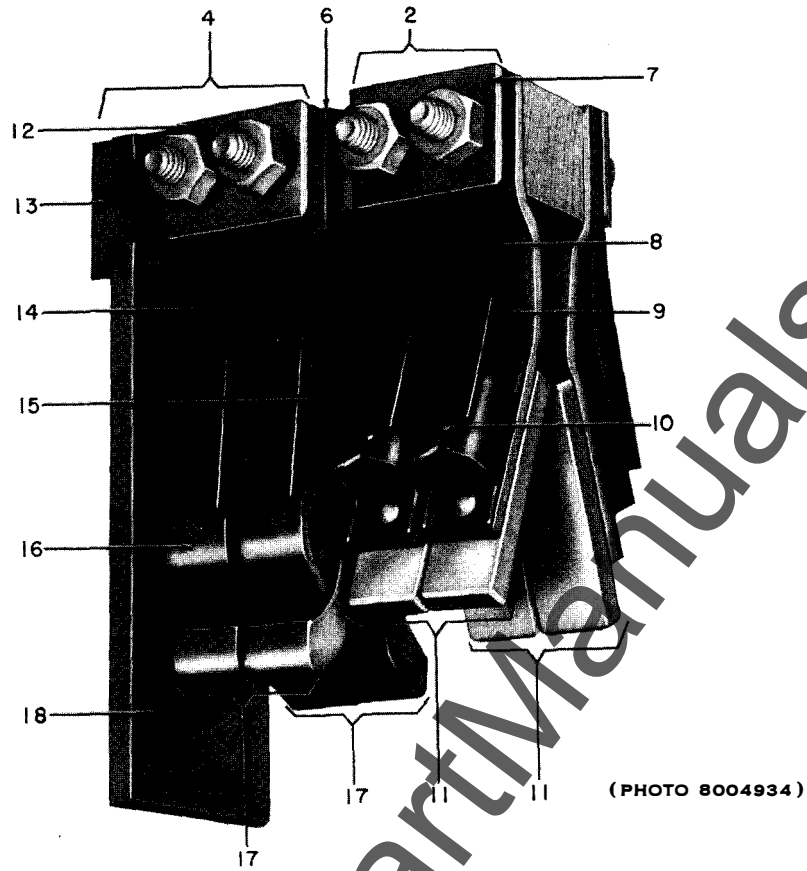


Fig. 3. Main and arcing contacts for breakers rated 100 MVA, 150 MVA and 250 MVA, 600 amp. and 1200 amp.

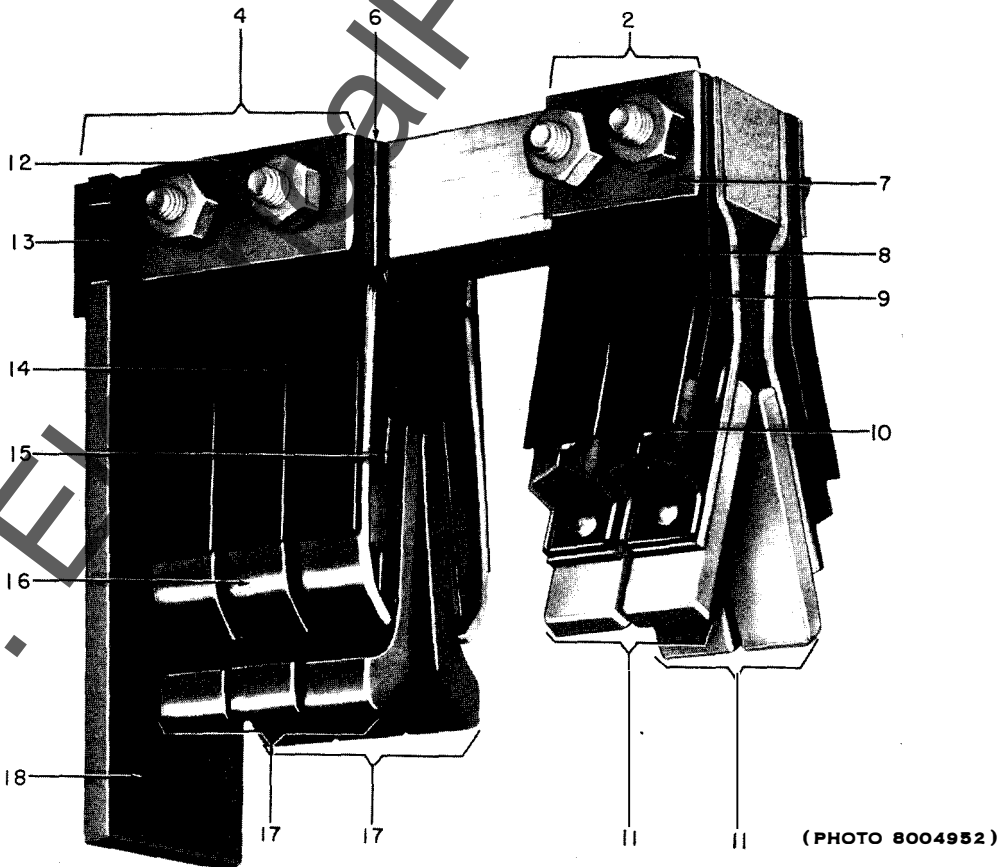


Fig. 4. Modern design of main and arcing contacts for breakers rated 500 MVA, 600 amp. and 1200 amp.

TYPE FK-255 OIL CIRCUIT BREAKERS

GEF-3401C

CONTACTS FOR BREAKERS RATED 600 AMPERES AND 1200 AMPERES

The following parts are seldom required except as noted:

Ref. No.	Cat. No.				No. Furnished in Breaker	Description
	100 MVA (Fig. 3)	150 MVA 250 MVA (Fig. 3)	Modern Design 500 MVA (Fig. 4)	Early Design 500 MVA (Fig. 5)		
π2	See page 3	See page 3	See page 3	See page 3	6	Main contact assembly complete
π4	See page 3	See page 3	See page 3	See page 3	-	Arcing contact assembly complete
6	6245473	6245473	6245474	6245473	∅	Support plate
7	6045899	6045899	6045899	6045899	12	Washer
8	2455063	2455063	2455063	2455063	36	Spring
9	2455067	2455067	2455067	2455067	12	Stop
10	2469258	2469258	2469258	2469258	24	Pivot
11	6059611	6059611	6059611	6059611	12	Finger (main)
12	6045899	6045899	2456561	6057427	12	Washer
†13	6059119	6059119	6059481	6057426	3	Retaining washer - near side
†§13A	6059118	6059118	6059480	6057425	3	Retaining washer - far side
†§13B	6049992	6049992	6049994	6057428	6	Retaining washer
14	6041445	6041445	6041583	6041445	Δ	Spring
15	6041444	6041444	6041584	6041444	†	Stop
16	6049991	6049991	6049993	6049991	∅	Support
17	6441135	6049816	6144899	6049816	∅	Finger (arcing)
π18	6049503	6049503	6049503	6049503	3	Arcing plate
§19	6049961	6049961	6049961	6049961	††	Pivot for Ref. No. 15

π Parts recommended for normal maintenance

∅ 24 in Early Design 500 MVA (Fig. 5); 12 in all other ratings

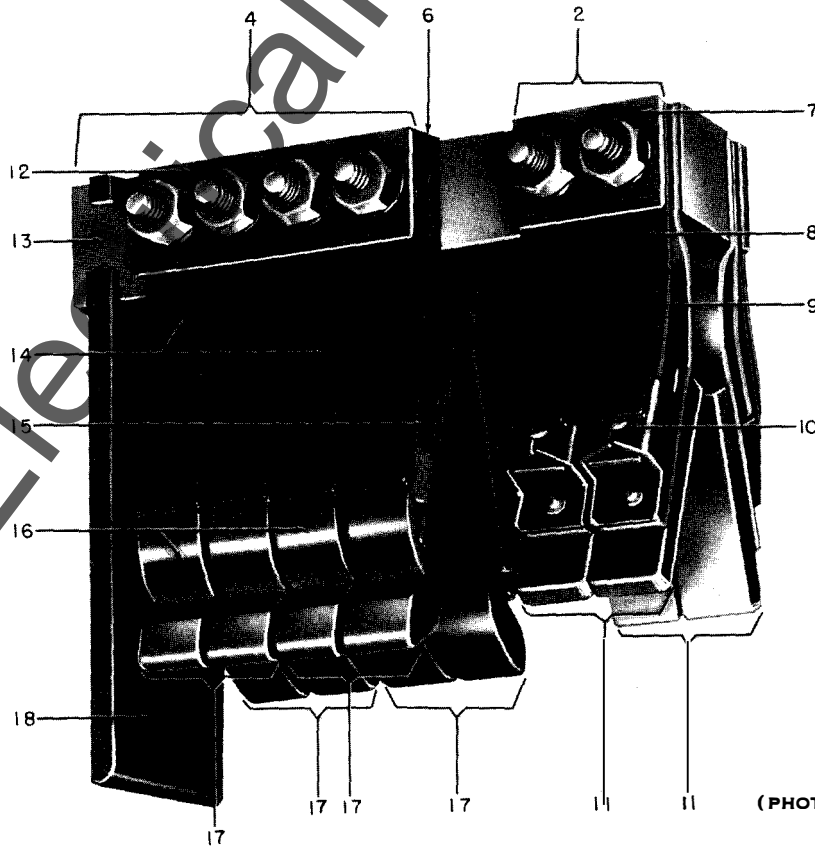
§ Not illustrated

Δ 72 in Early Design 500 MVA (Fig. 5); 36 in all other ratings

† 48 in Early Design 500 MVA (Fig. 5); 24 in all other ratings

† 36 in Modern Design 500 MVA (Fig. 4); 24 in all other ratings

†† When contacts include no arcing plate (Ref. No. 18) specify retaining washer Ref. No. 13B only



(PHOTO 8004937)

Fig. 5. Early design of main and arcing contacts for breakers rated 500 MVA, 600 amp. and 1200 amp.

TYPE FK-255 OIL CIRCUIT BREAKERS

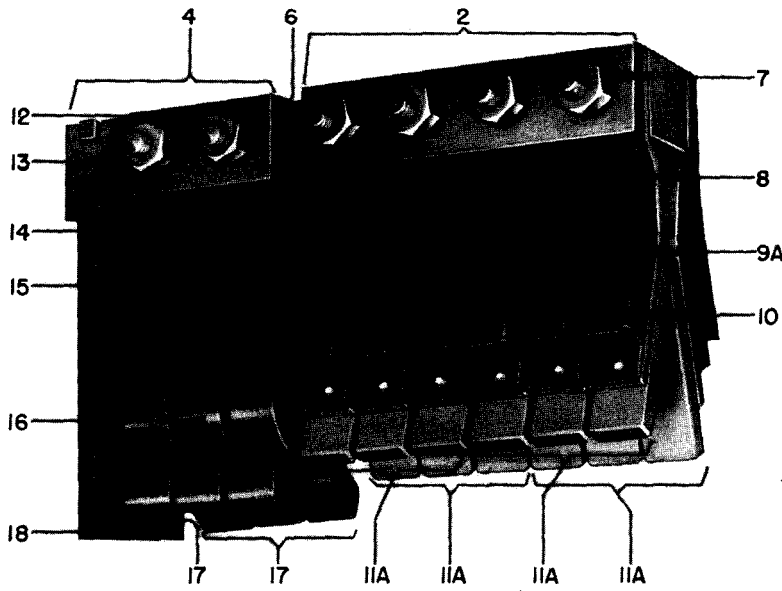
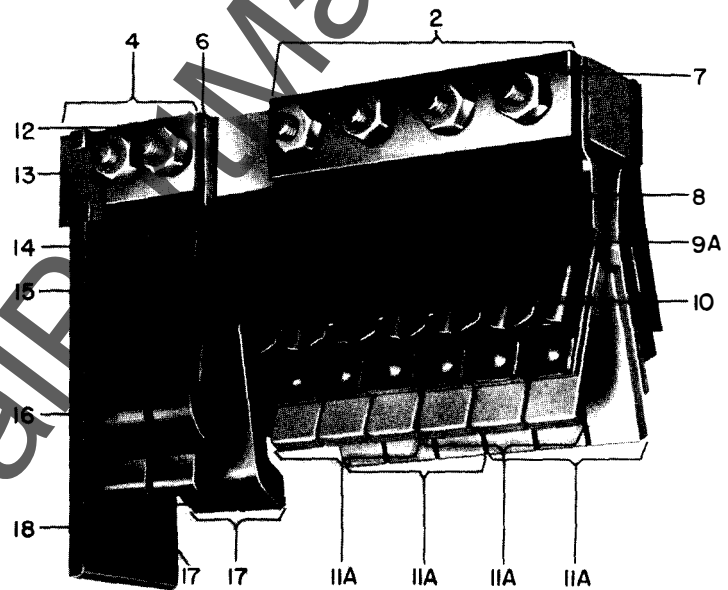


Fig. 6. Modern design of main and arcing contacts for breakers rated 250 MVA and 500 MVA, 2000 amp.

(PHOTO 8004953)

Fig. 7. Intermediate design of main and arcing contacts for breakers rated 250 MVA and 500 MVA, 2000 amp.



(PHOTO 8004936)

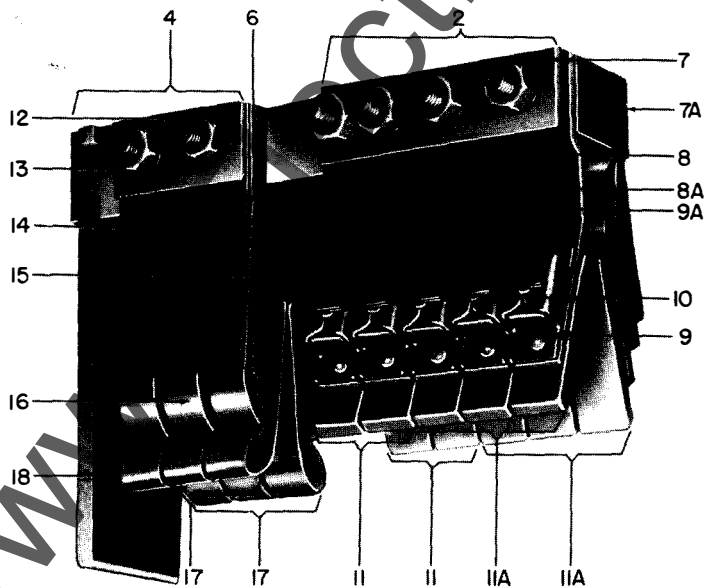


Fig. 8. Early design of main and arcing contacts for breakers rated 250 MVA, 2000 amp.

(PHOTO 8004933)

TYPE FK-255 OIL CIRCUIT BREAKERS

GEF-3401C

CONTACTS FOR BREAKERS RATED 2000 AMPERES

The following parts are seldom required except as noted:

Ref. No.	Cat. No.				No. Furnished in Breaker	Description
	Modern Design 250 MVA 500 MVA (Fig. 6)	Intermediate Design 250 MVA 500 MVA (Fig. 7)	Early Design 250 MVA (Fig. 8)	Early Design 500 MVA (Fig. 9)		
π 2	See page 3	See page 3	See page 3	See page 3	6	Main contact assembly complete
π 4	See page 3	See page 3	See page 3	See page 3	-	Arcing contact assembly complete
6	6245474	6245473	6245474	6245473	∅	Support plate
7	6041448	6041448	-----	-----	12	Washer
7	-----	-----	6045902	6045902	6	Washer
7A	-----	-----	6045901	6045901	6	Washer
8	2455062	2455062	2455062	2455062	†	Spring
8A	-----	-----	2455063	2455063	36	Spring
9	-----	-----	2455067	2455067	12	Stop
9A	2455065	2455065	2455065	2455065	†	Stop
10	2469258	2469258	2469258	2469258	(a)	Pivot
11	-----	-----	6059611	6059611	12	Finger (main)
11A	6059612	6059612	6059612	6059612	†	Finger (main)
12	2456561	6045899	2456561	6057427	12	Washer
Δ 13	6059481	6059119	6059481	6057426	3	Retaining washer - near side
Δ§ 13A	6059480	6059118	6059480	6057425	3	Retaining washer - far side
Δ§ 13B	6049994	6049992	6049994	6057428	6	Retaining washer
14	6041583	6041445	6041583	6041445	(b)	Spring
15	6041584	6041444	6041584	6041444	(c)	Stop
16	6049993	6049991	6049993	6049991	∅	Support
17	6144899	6049816	6144899	6049816	∅	Finger (arcing)
π 18	6049503	6049503	6049503	6049503	3	Arcing plate
§ 19	6049961	6049961	6049961	6049961	(c)(d)	Pivot for Ref. No. 15

π Parts recommended for normal maintenance

∅ 24 in Early Design 500 MVA (Fig. 9); 12 in all other ratings

Δ When contacts include no arcing plate (Ref. No. 18) specify retaining washers Ref. No. 13B only

† 36 in Early Design 250 MVA and 500 MVA (Fig. 8 and 9); 72 in all other ratings

† 12 in Early Design 250 MVA and 500 MVA (Fig. 8 and 9); 24 in all other ratings

§ Not illustrated

(a) 60 in Early Design 250 MVA and 500 MVA (Fig. 8 and 9); 72 in all other ratings

(b) 72 in Early Design 500 MVA (Fig. 9); 36 in all other ratings

(c) 48 in Early Design 500 MVA (Fig. 9); 24 in all other ratings

(d) 36 in Early Design 250 MVA, Modern Design 250 MVA and 500 MVA; 24 in all other ratings

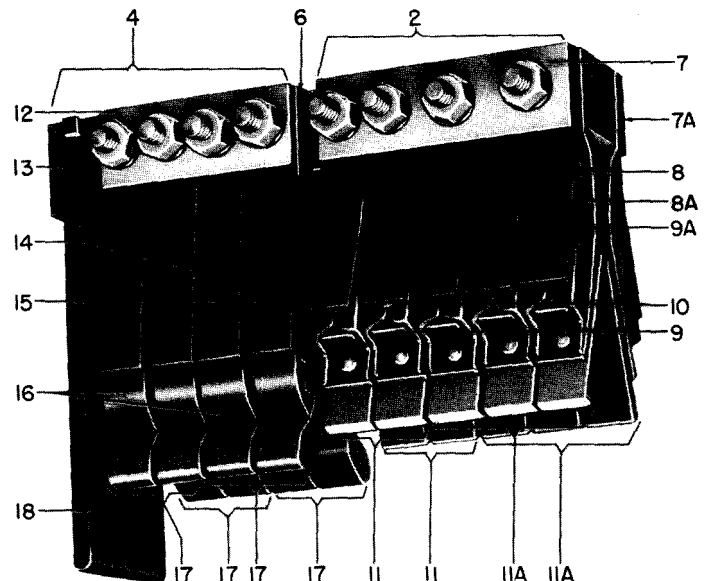


Fig. 9. Early design of main and arcing contacts for breakers rated 500 MVA, 2000 amp.

TYPE FK-255 OIL CIRCUIT BREAKERS

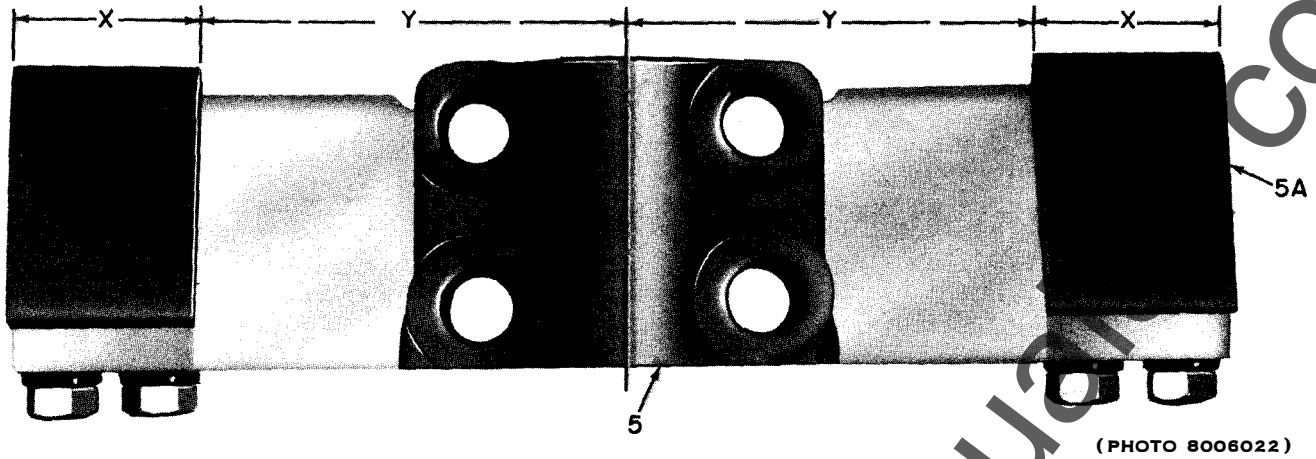


Fig. 10. Contact blade and arcing tip

CAUTION: When ordering contact blade or arcing tip, check dimensions of existing unit with the dimensions listed below for the various Catalog Numbers applicable.

The following parts constitute those which are recommended for normal maintenance:

CONTACT BLADE ONLY (WITHOUT ARCING TIP) (REF. NO. 5)

Ref. No.	Breaker Rating		Cat. No.	Dimensions in Inches		No. Furnished in Breaker	Description
	MVA	AMP		X	Y		
5	250	2000	6029581P2	2 1/4	6 1/2	3	Contact blade only (modern design)
	250	2000	6029581P15	1 9/16	7 3/16	3	Contact blade only (intermediate design)
	250	2000	6029581P2	2 1/4	6 1/2	3	Contact blade only (early design)
	500	600 1200	6126017P14	2 1/4	5 1/8	3	Contact blade only (modern design)
	500	600 1200	6126017P9	2 15/16	5 1/8	3	Contact blade only (early design)
	500	2000	6029581P2	2 1/4	6 1/2	3	Contact blade only (modern design)
	500	2000	6029581P15	1 9/16	7 3/16	3	Contact blade only (intermediate design)
	500	2000	6029581P10	2 15/16	5 13/16	3	Contact blade only (early design)

ARCING TIPS ONLY (REF. NO. 5A)

Ref. No.	Breaker Rating		Cat. No.	No. Furnished in Breaker	Description
	MVA	AMP			
5A	250	2000	6105181P9	6	Arcing tip only (modern design)
	250	2000	6017837P11	6	Arcing tip only (intermediate design)
	250	2000	6105181P9	6	Arcing tip only (early design)
	500	600 1200	6105181P9	6	Arcing tip only (modern design)
	500	600 1200	6105181P8	6	Arcing tip only (early design)
	500	2000	6105181P9	6	Arcing tip only (modern design)
	500	2000	6017837P11	6	Arcing tip only (intermediate design)
	500	2000	6105181P8	6	Arcing tip only (early design)

TYPE FK-255 OIL CIRCUIT BREAKERS

GEF-3401C

PARTS LISTED BELOW ARE ILLUSTRATED IN FIG. 2, PAGE 2

The following parts are seldom required:

Ref. No.	Cat. No.			No. Furnished in Breaker	Description
	FK-255-100 -150, -250 600 & 1200 Amp	FK-255-500 600 & 1200 Amp	FK-255-250 -500 2000 Amp		
20	See page 14	See page 14	See page 14	6	Bushing
21	3806486G2	3806486G2	3806486G2	2	Buffer, closing
22	6006644	2412446	2412446	∅	Opening spring, (outer)
22A	2412447	2412447	2412447	∅	Opening spring, (inner)
23	6002142P20	6002142P23	6002142P23	1	Tank gasket
24	6018053G3	6017511G4	-----	2	Bushing brace (for 600-amp breakers)
24	6018053G4	6017511G3	-----	2	Bushing brace (for 1200-amp breakers)
24	-----	-----	6017511G2	2	Bushing brace (for 2000-amp breakers)
25	6124744P2	6124747P3	6124747P3	1	ΔInterphase barrier (left)
25	6124744P1	6124747P2	6124747P2	1	ΔInterphase barrier (right)
26	†	6126847G1	6126690G2	1	Dashpot support and guide
27	6117239P1	6124747P1	6124747P1	1	Face plate
28	6106289G1	6118446G2	6118446G1	2	Dashpot
29	6124729G5	6124887G7	6124887G8	1	Lining
30	6124980P3	6196075P3	6196075P3	2	Face plate support
31	6186256G3	6186264G3	6186262G6	1	Oil tank
32	6098794P1	†	†	1	Bottom lining
33	6090960P3	6090960P4	6090960P4	1	Oil gage
34	6124744P3	6124744P4	6124744P4	1	Support for phase barriers
35	6001070P1	6001070P1	6001070P1	1	Drain valve
36	6022724G1	6020986G1	6020986G2	1	Crosshead
37	6049815	6049493	6049493	2	Supporting link
39	6029322P1	6028639P1	6028639P3	1	Operating lever
40	6049814	6059639	6049831	2	Connecting link
41	6029322P4	6028639P6	6028639P6	1	Toggle crank
42	6029361G3	6029373G1	6029373G1	1	ΔOperating crank (left)
42	6029361P17	6029373P3	6029373P3	1	ΔOperating crank (right, potential trip)
42	6186200G1	6186200G2	6186200G2	1	ΔOperating crank (right, current trip)
43	6049932	6049497	6049497	1	Plunger
44	6049931	6049800	6049800	1	Eyebolt
45	6058306	6049835	6049835	1	Guide link
46	6229083P3	6229083P1	6229083P1	1	ΔCrosshead lever (right)
46	6229083P4	6229083P2	6229083P2	1	ΔCrosshead lever (left)

∅ 2 in breakers rated FK-255 -100, -150, -250, 600 and 1200 amperes; 4 in all other ratings

Δ Right and left side identified when facing mechanism end of breaker

† For 600-amp breakers specify Cat. No. 6116178G1; for 1200-amp breakers specify Cat. No. 6118148G1

† None furnished on breakers of this rating

TYPE FK-255 OIL CIRCUIT BREAKERS

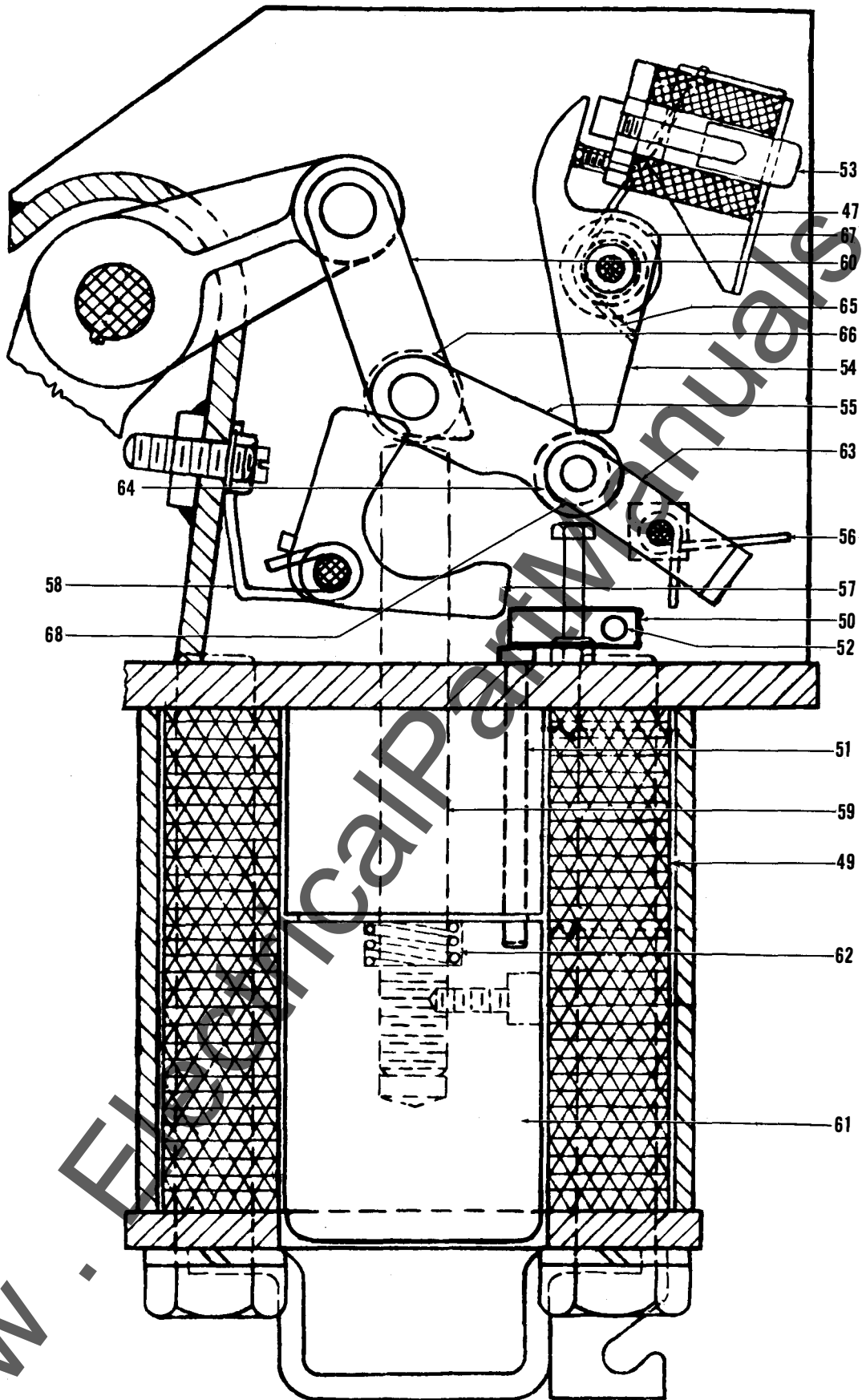


Fig. 11. Type MS-4 solenoid mechanism

(ART 17410)

TYPE FK-255 OIL CIRCUIT BREAKERS

GEF-3401C

MS-4 SOLENOID MECHANISM

The following parts constitute those which are recommended for normal maintenance:

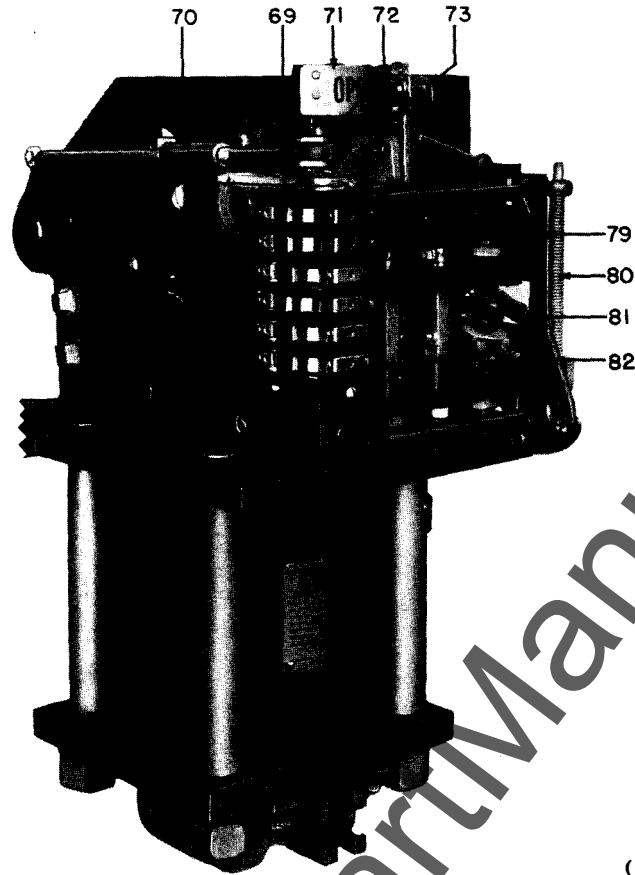
Ref. No.	Cat. No.		No. Furnished in Breaker	Description
	FK-255-100 -150, -250 600 & 1200 Amp	FK-255-250 2000 Amp FK-255-500,600 1200 & 2000 Amp		
47		6275070G1 6275070G2 6174582G1 6174582G2 6174582G14	1	Potential trip coil 24-volt D-c operation 48-volt D-c operation 125-volt D-c operation 250-volt D-c operation 220-volt A-c operation
48		6174599G2 6174599G7 22D3G226	3	Current trip coil (when furnished) Fig. 11B 3 ampere 4 ampere 5 ampere
49	6275005G1 6275005G2	6275006G13 6275006G14	1	Closing coil 125-volt D-c operation 250-volt D-c operation

The following parts are seldom required:

50	6211377G1	6211377G1	1	Lever
51	6116928P6	6116928P7	1	Plunger
52	6157477P1	6157477P2	1	Spring
53	6508713G2	6508713G2	1	Trip plunger
54	6075557G2	6075557G1	1	Trip latch and shaft
55	6270513G1	6270513G1	1	Lever
56	6074235P2	6074235P2	1	ΔReset spring (left)
56	6074235P1	6074235P1	1	ΔReset spring (right)
57	6113986G1	6113986G1	1	Prop
58	6176833P2	6176833P2	1	Spring for prop
59	6186105P8	6186105P7	1	Plunger
60	6270515P2	6270515P2	2	Link
61	6186105P5	6186105P4	1	Armature
62	6007298	6007298	1	Spring for armature
63	6146080P1	6146080P1	1	Link
64	6477425AAP12	6477425AAP12	1	Roller
65	6172825P2	6172825P1	1	Trip latch spring
66	6270023	6270023	1	Prop roller
67	6477418AAP2	6477418AAP2	2	Bearing
68	6477418AAP1	6477418AAP1	2	Bearing (inside roller Ref. No. 64)

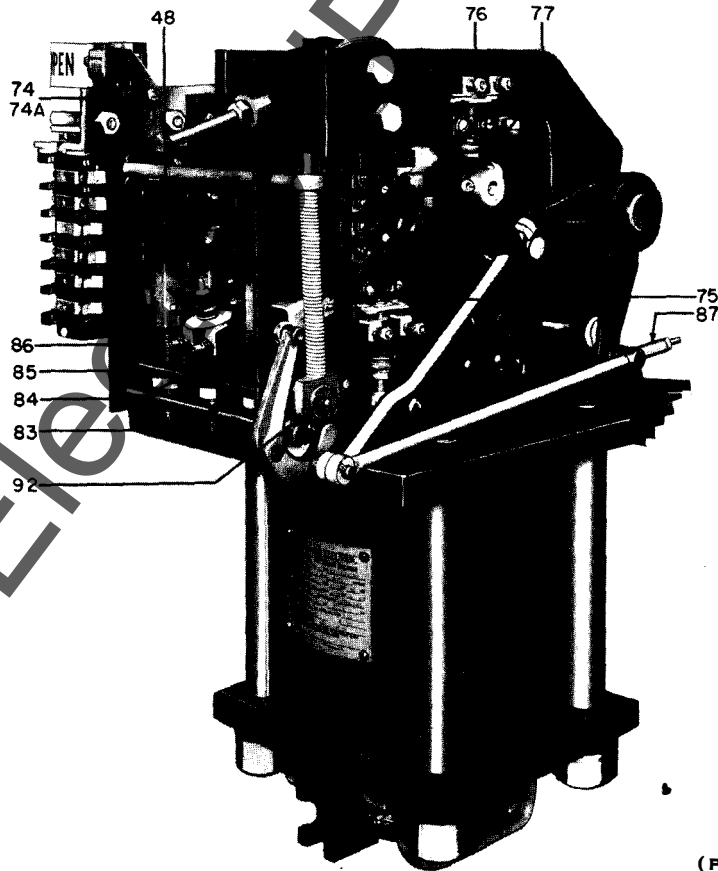
Δ Right and left side identified when facing mechanism end of breaker

TYPE FK-255 OIL CIRCUIT BREAKERS



(PHOTO 8005972)

Fig. 11A. Left front view of solenoid mechanism



(PHOTO 8005971)

Fig. 11B. Right front view of solenoid mechanism

TYPE FK-255 OIL CIRCUIT BREAKERS

GEF-3401C

MS-4 SOLENOID MECHANISM

The following parts are seldom required:

Ref. No.	Cat. No.		No. Furnished in Breaker	Description
	FK-255-100 -150, -250 600 & 1200 Amp	FK-255-250 2000 Amp FK-255-500, 600 1200 & 2000 Amp		
69	∅	∅	-	Auxiliary switch
70	6117466G7	6117466G3	1	Link
71	6117501G1	6117501G1	1	Semaphore
72	6176838	6176838	1	Spring
73	6186120G1	6186120G1	1	Operation counter
74	6147140	6147140	1	Support for counter (framework)
74A	6243920	6243920	1	Support for counter (metal clad)
75	6222110G1	6222110G2	1	Cutoff switch (aa)
76	6211612P7	6211612P7	1	Latch checking switch (lc)
77	6240824	6240824	1	Screw
§78	6200445	6200445	1	Spring (on Ref. No. 77)
79	4905058G4	4905058G4	1	Frame
80	6074236	6074236	1	Spring
81	2236575	2236575	3	Guide
82	6077450G1	6077450G1	3	Armature (instantaneous trip)
83	6477418AAP10	6477418AAP10	1	Ball bearing
84	6116526G2	6116526G2	1	Latch checking switch
85	6146067	6146067	3	Body (instantaneous trip)
86	6076156	6076156	1	Spring
87	6074238	6074238	1	Spring
§88	6009459G3	6009459G3	1	Dashpot
§89	6197274G1	6197274G1	1	Plunger for dashpot
§90	6116427P4	6116427P4	1	Body (time delay)
§91	6197274P1	6197274P1	1	Armature (time delay trip)
92	6477418AAP7	6477418AAP7	1	Ball bearing

∅ For auxiliary switch parts refer to bulletin GEF-2445A

§ Not illustrated

TYPE FK-255 OIL CIRCUIT BREAKERS

BUSHINGS



Fig. 12

Fig. 13

Fig. 14

Fig. 15

(PHOTO A-128749)

NOTE: The bushings illustrated by Fig. 13 and 15 represent the design which is furnished in breakers used in Metal-clad Switchgear.

CAUTION: When ordering bushings, be sure to compare the number of holes in the lower flange of the existing bushing with the table below and specify Catalog Number applicable.

The following are seldom required:

Ref. No.	Fig. No.	Breaker Rating		Cat. No.	No. of Holes in Lower Flange	No. Furnished in Breaker
		MVA	AMP			
	12	100, 150, 250	600	6018104G1	4	6
	13	100, 150, 250	600	6018104G2	4	6
	12	100, 150, 250	1200	6018102G1	4	6
	13	100, 150, 250	1200	6018102G2	4	6
	12	500	600	6105591G1	4	6
	13	500	600	6105591G2	4	6
	12	500	1200	6105592G1	4	6
	13	500	1200	6105592G2	4	6
20	12	500	600	6018621G1	6	6
	13	500	600	6018621G2	6	6
	12	500	1200	6018631G1	6	6
	13	500	1200	6018631G2	6	6
	14	250,500	2000	6118355G1	7	6
	15	250,500	2000	6118355G2	7	6
	14	250	2000	6018149G5	6	6
	15	250	2000	6018149G6	6	6
	14	500	2000	6018149G3	8	6
	15	500	2000	6018149G4	8	6

WHEN YOU NEED SERVICE

IF YOU NEED TO REPAIR, recondition, or rebuild any electric apparatus, a G-E service shop near you is available day and night, seven days a week, for work in the shops or on your premises. Latest factory methods and genuine G-E renewal parts are used to maintain the original performance of your G-E equipment. For full information about these services, contact the nearest service shop or sales office listed below:

APPARATUS SERVICE SHOPS

Appleton, Wisc. Midway Industrial Area, County Trunk, "up"
 Atlanta—Chamblee, Ga. 4639 Peachtree Indus. Blvd.
 Baltimore 30, Md. 920 E. Fort Ave.
 Boston—Medford 55, Mass. Mystic Valley Pkwy.
 Buffalo 11, N. Y. 318 Urban St.
 Charleston 28, W. Va. 306 MacCorkle Ave., S.E.
 Charlotte, N. C. 2328 Thrift Road
 Chicago 32, Ill. 4360 W. 47th St.
 Cincinnati 2, Ohio 444 W. Third St.
 Cleveland 4, Ohio 4966 Woodland Ave.
 Columbus 23, Ohio 2128 Eakin Rd.
 Dallas 9, Texas 3202 Manor Way
 Davenport—Bettendorf, Ia. 1039 State St.
 Decatur, Ill. 2225 E. Logan St.
 Denver 5, Colo. 3353 Larimer St.
 Detroit 2, Mich. 5950 Third Ave.
 Houston 20, Texas 5534 Harvey Wilson Drive
 Indianapolis, Ind. 1740 W. Vermont St.
 Johnstown, Pa. 841 Oak St.
 Kansas City 8, Mo. 819 E. 19th St.
 Los Angeles 1, Calif. 6900 Stanford Ave.
 Louisville, Ky. 2014 New Main St.
 Midland, Tex. 3404 Bankhead Hwy.
 Milwaukee 3, Wisc. 940 W. St. Paul Ave.
 Minneapolis 12, Minn. 2025 49th Ave., N.
 New York 14, N. Y. 416 W. 13th St.
 Philadelphia 23, Pa. 1040 E. Erie Ave.
 Pittsburgh 6, Pa. 6519 Penn Ave.
 Portland 18, Oregon 2727 N.W. 29th Ave.
 Richmond 24, Va. 1403 Ingram Ave.
 St. Louis 10, Mo. 1115 East Road
 Salt Lake City 4, Utah 301 S. Seventh West St.
 San Francisco 3, Calif. 1098 Harrison St.
 Seattle 4, Wash. 3422 First Ave., S.
 Spokane 3, Wash. S. 155 Sherman St.
 Toledo 4, Ohio 1 So. St. Clair St.
 York, Pa. 54 N. Harrison St.
 Youngstown 5, Ohio 272 E. Indianola Ave.

APPARATUS SALES OFFICES

Abilene, Texas 442 Cedar St.
 Akron 8, Ohio 335 S. Main St.
 Albany 7, N. Y. 90 State St.
 Albuquerque, N. Mex. 323 Third St., S.W.
 Alexandria, La. 720 Murray St.
 Allentown, Pa. 1132 Hamilton St.
 Amarillo, Texas 402 Amarillo Bldg.
 Appleton, Wisc. 531 W. College Ave.
 Atlanta 3, Ga. 1860 Peachtree Rd., N.W.
 Augusta, Ga. 423 Masonic Bldg.
 Augusta, Me. 15 Grove St.
 Baltimore 1, Md. 111 Park Ave.
 Bangor, Maine 77 Central St.
 Baton Rouge 6, La. 3170 Florida Blvd.
 Battle Creek, Mich. 25 W. Michigan Ave.
 Beaumont, Texas 1385 Calder Ave.
 Billings, Mont. Rm. 816, 303 No. Broadway
 Binghamton, N. Y. 19 Chenango St.
 Birmingham 3, Ala. 1804 Seventh Ave., N.
 Bismarck, N. Dak. 418 Rosser Ave.
 Bluefield, W. Va. P.O. Box 447, Appalachian Bldg.
 Boise, Idaho 1524 Idaho St.
 Boston 1, Mass. 140 Federal St.
 Buffalo 3, N. Y. 535 Washington St.
 Butte, Mont. P.O. Box 836, 103 N. Wyoming St.
 Canton 2, Ohio 700 Tuscarawas St., W.
 Cedar Rapids, Iowa 210 Second St., S.E.
 Charleston 28, W. Va. 306 MacCorkle Ave., S.E.
 Charlotte 1, N. C. 112 S. Tryon St.
 Chattanooga 2, Tenn. 832 Georgia Ave.
 Chicago 80, Ill. P.O. Box 5970A, 840 S. Canal St.
 Cincinnati 2, Ohio 215 W. Third St.
 Cleveland 4, Ohio 4966 Woodland Ave.
 Columbia 1, S. C. P.O. Box 1434, 1420 Lady St.
 Columbus 15, Ohio 40 S. Third St.
 Corpus Christi, Texas 205 N. Chaparral
 Dallas 2, Texas 1801 N. Lamar St.
 Davenport—Bettendorf, Ia. 1039 State St.
 Dayton 2, Ohio 11 W. Monument Bldg.



For service outside the United States, Canada, and Hawaii, consult the nearest office of the International General Electric Company.

Denver 2, Colo. 650 Seventeenth St.
 Des Moines 9, Iowa 505 W. Fifth Ave.
 Detroit 2, Mich. 700 Antoinette St.
 Duluth 2, Minn. 14 W. Superior St.
 Elmira, N. Y. Main and Woodlawn Aves.
 El Paso, Texas 215 No. Stanton
 Erie, Pa. 1001 State St.
 Eugene, Ore. 610 High St.
 Evansville 19, Ind. 123 N.W. Fourth St.
 Fairmont, W. Va. 310 Jacobs Bldg., P.O. Box 1626
 Fergus Falls, Minn. 108 N. Court Ave., P.O. Box 197
 Flint 3, Mich. 653 S. Saginaw St.
 Fort Wayne 6, Ind. 3606 So. Calhoun
 Fort Worth 2, Texas 408 W. Seventh St.
 Fresno 1, Calif. 407 Patterson Bldg., Tulare and Fulton St.
 Grand Rapids 2, Mich. 148 Monroe Ave., N.W.
 Greensboro, N. C. 301 S. Elm St.
 Greenville, S. C. 108 W. Washington St.
 Gulfport, Miss. 207 Jo-Fran Bldg.
 Hagerstown, Md. Professional Arts Bldg.
 Hartford 3, Conn. 410 Asylum St.
 Houston 1, Texas 1312 Live Oak St.
 Indianapolis 4, Ind. 110 N. Illinois St.
 Jackson, Mich. 120 W. Michigan Ave.
 Jackson 1, Miss. 203 W. Capitol St.
 Jacksonville 2, Fla. 700 E. Union St.
 Jamestown, N. Y. P.O. Box 548, 2 Second St.
 Johnson City, Tenn. 321-323 W. Walnut St.
 Johnstown, Pa. 841 Oak St.
 Joplin, Mo. P.O. Box 948, 220 1/2 W. Fourth St.
 Kalamazoo 3, Mich. 112 Parkway Ave.
 Kansas City 6, Mo. 106 W. Fourteenth St.
 Knoxville 08, Tenn. 602 S. Gay St.
 Lansing 8, Mich. 306 Michigan National Tower
 Lexington, Ky. First National Bank Bldg.
 Lincoln 8, Nebr. Sharpe Bldg., 206 S. 13th St.
 Little Rock, Ark. 103 W. Capitol Ave.
 Los Angeles 54, Calif. 212 N. Vignes St.
 Louisville 2, Ky. 455 S. Fourth St.
 Macon, Ga. 682 Cherry St.
 Madison 3, Wisc. 16 N. Carroll St.
 Manchester, N. H. 875 Elm St.
 Medford, Ore. P.O. Box 1349, 205 W. Main St.
 Memphis 3, Tenn. 8 N. Third St.
 Miami 32, Fla. 25 S.E. Second Ave.
 Milwaukee 3, Wisc. 940 W. St. Paul Ave.
 Minneapolis 3, Minn. 12 S. Sixth St.
 Mobile 13, Ala. 54 St. Joseph St.
 Nashville 3, Tenn. 234 Third Ave., N.
 Newark 2, N. J. 744 Broad St.
 New Haven 6, Conn. 129 Church St.
 New Orleans 12, La. 837 Gravier St.
 New York 22, N. Y. 570 Lexington Ave.
 Niagara Falls, N. Y. 253 Second St.

Norfolk 10, Va. 229 W. Bute St.
 Oakland 12, Calif. 409 Thirteenth St.
 Oklahoma City 2, Okla. 119 N. Robinson St.
 Omaha 2, Nebr. 409 S. Seventeenth St.
 Pasco, Wash. 421 W. Clark St.
 Peoria 2, Ill. 309 Jefferson Bldg.
 Philadelphia 2, Pa. 1405 Locust St.
 Phoenix, Ariz. P.O. Box 4037, 303 Luhrs Tower
 Pittsburgh 22, Pa. The Oliver Bldg., Meilon Sq.
 Portland 7, Ore. 920 S.W. Sixth Ave.
 Providence 3, R. I. Industrial Trust Bldg.
 Raleigh, N. C. 336 Fayetteville St.
 Reading, Pa. 31 N. Sixth St.
 Richmond 17, Va. 700 E. Franklin St.
 Riverside, Calif. 3570 Ninth St.
 Roanoke 16, Va. 920-924 S. Jefferson St.
 Rochester 4, N. Y. 89 E. Ave.
 Rockford, Ill. 110 S. First St.
 Rutland, Vt. 38 1/2 Center St.
 Sacramento 14, Calif. 626 Forum Bldg.
 Saginaw, Mich. Second National Bank Bldg.
 St. Louis 1, Mo. 818 Olive St.
 Salt Lake City 9, Utah 200 S. Main St.
 San Antonio 5, Texas 434 So. Main Ave.
 San Diego 1, Calif. 1240 Seventh Ave.
 San Francisco 6, Calif. 235 Montgomery St.
 San Jose 10, Calif. 460 Park Ave.
 Savannah, Ga. 4 E. Bryan St.
 Seattle 4, Wash. 710 Second Ave.
 Shreveport, La. 910 Shelby Bldg.
 Sioux City 13, Iowa 572 Orpheum Electric Bldg.
 Sioux Falls, S. D. 306 South Phillips Ave.
 South Bend 1, Ind. 112 W. Jefferson Blvd.
 Spokane 4, Wash. S. 162 Post St.
 Springfield, Ill. 607 E. Adams St.
 Springfield 3, Mass. 1387 Main St.
 Stockton, Calif. 11 So. San Joaquin St.
 Syracuse 2, N. Y. 113 S. Salina St.
 Tacoma 1, Wash. 1202 Washington Bldg.
 Tampa 6, Fla. 1206 North A St.
 Toledo 4, Ohio 420 Madison Ave.
 Trenton 8, N. J. 214 E. Hanover St.
 Tucson, Ariz. P.O. Box 710, 650 N. Sixth Ave.
 Tulsa 3, Okla. 320 S. Boston Ave.
 Utica 2, N. Y. 258 Genesee St.
 Washington 5, D.C. 777-14th St., N.W.
 Waterbury 89, Conn. 111 W. Main St.
 Waterloo, Iowa 206 W. 4th St.
 Wenatchee, Wash. 328 N. Wenatchee Ave.
 Wheeling, W. Va. 40 Fourteenth St.
 Wichita 2, Kan. 200 E. First St.
 Williamson, N. C. 115 E. Main St.
 Worcester 5, Mass. 288 Grove St.
 York, Pa. 56 N. Harrison St.
 Youngstown 5, Ohio 272 E. Indianola Ave.

Hawaii: American Factors, Ltd., P. O. Box 3230, Honolulu 1

Canada: Canadian General Electric Company, Ltd., Toronto

MEDIUM VOLTAGE SWITCHGEAR DEPARTMENT, GENERAL ELECTRIC COMPANY, PHILADELPHIA, PA.

1-53 (3M)
 3-56 (2M)