



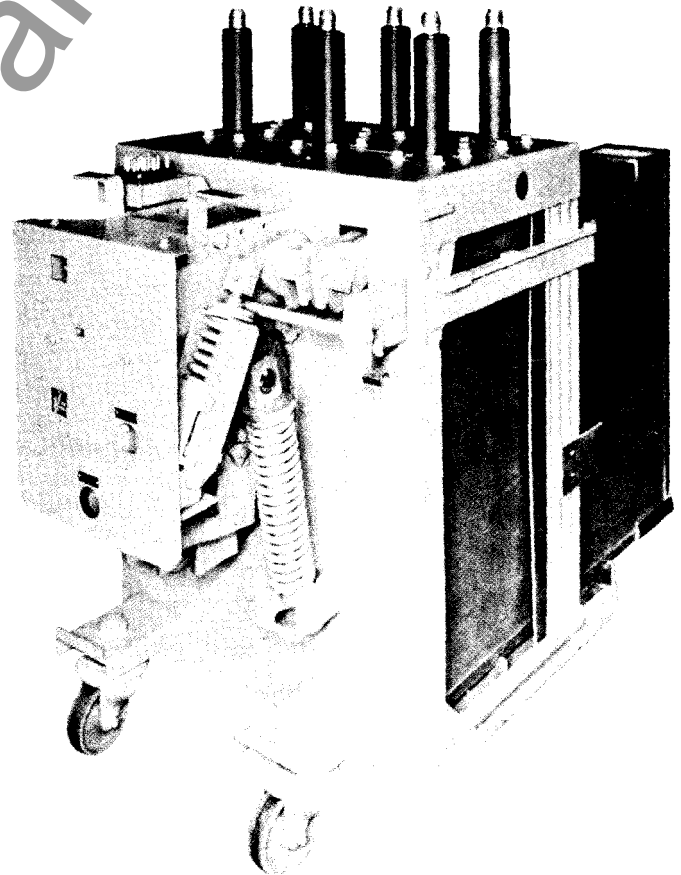
RENEWAL PARTS

Type AM-13.8-750-5,-6 Magne-Blast Circuit Breakers

Note: The ML-13 operating mechanism is not included in this publication.
Refer to GEF-4379.

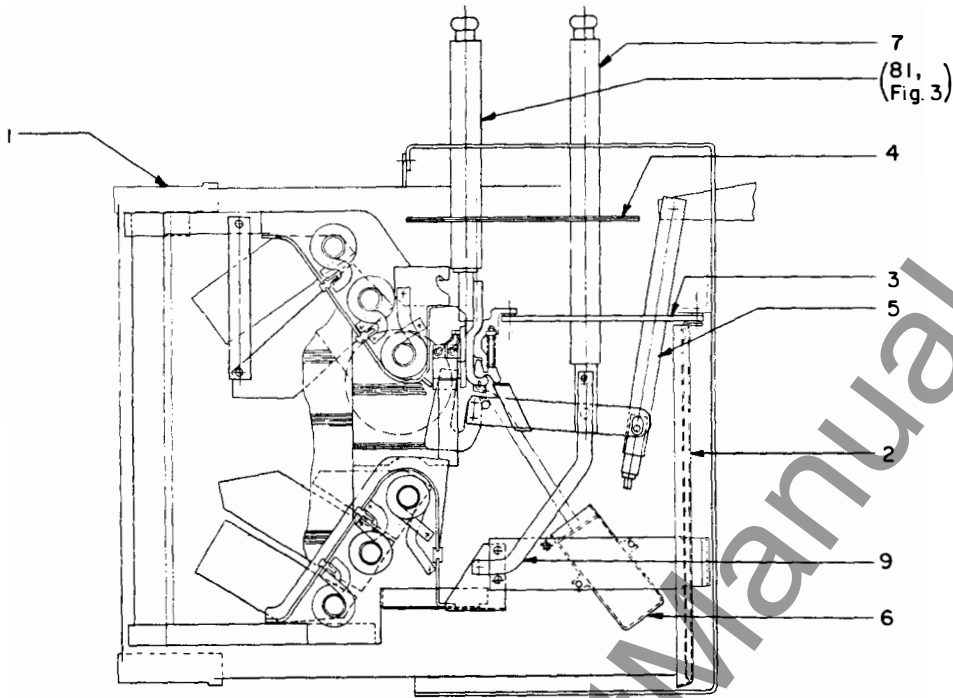
Ordering Instructions

1. Always specify the complete nameplate data of the relay, including complete model No. of relay.
2. Specify the quantity, catalog number (if listed), reference number (if listed) description, and this bulletin number.
3. Standard hardware, such as screws, bolts, nuts, washers, etc., is not listed in this bulletin. Such items should be purchased locally.
4. For prices, refer to the nearest office of the General Electric Company.

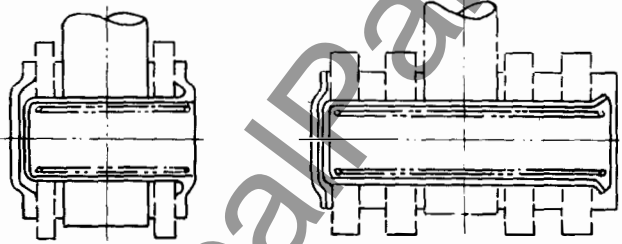


Data is subject to change without notice.

TYPE AM-13.8 MAGNE-BLAST CIRCUIT BREAKER



Breaker, Type AM-13.8-750 -5 and -6



(1200 amp)

(2000 amp)

Hinge pin assembly (Ref. No. 8)

Fig. 1. Cross section views of breaker and hinge pin

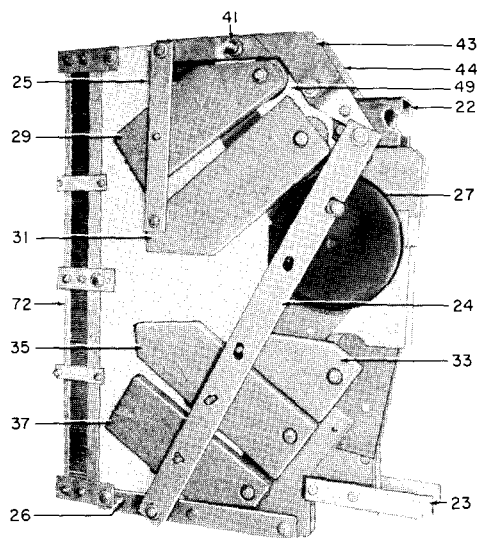
NOTE: For recommended parts for normal maintenance, refer to page 5.

TYPE AM-13.8-750 -5 and -6 BREAKER (Refer to Fig. 1)

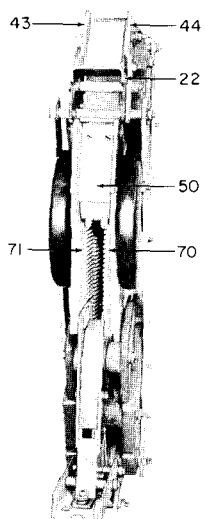
Ref. No.	Type	Catalog Number for Type AM13.8-750 -5 and -6		No. Req'd	Description
		1200 Amp	2000 Amp		
1	All	073-265C0176G006	073-265C0176G006	3	Box barrier
2	All	802B0764G001	802B0764G001	3	Vertical barrier
3	All	132C2738P004	132C2738P005	6	Lower horizontal barrier
4	All	258C0614P031	258C0614P032	6	Upper horizontal barrier
5	H, L, F	281B0708G001	281B0708G001	3	Operating rod assembly
5	HB, LB, FB	281B0708G007	281B0708G007	3	Operating rod assembly
6	All	263B0292P002	263B0292P002	3	Booster cylinder
7	All	845D0123G003	958C0683G003	3	Front bushing
8	All	898B0282G001	898B0282G002	3	Hinge assembly
9	All	688C0589P001	688C0589P001	3	Connection bar

TYPE AM-13.8 MAGNE-BLAST CIRCUIT BREAKER

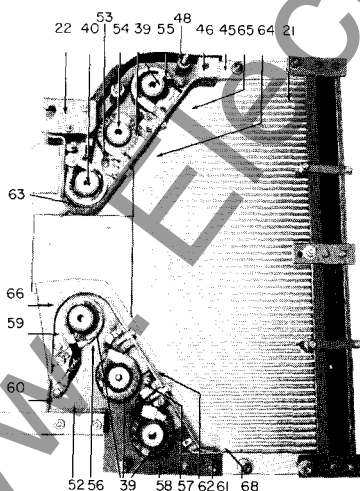
GEF-4438



Assembly complete (Ref. No. 20)



Front view



View with side removed

Fig. 2. Interrupter assembly

INTERRUPTER ASSEMBLY (Refer to Fig. 2)

Ref. No.	Catalog Number for Type AM13, 8-750 -5 and -6	No. Req'd	Description
20	073-213X0524G004	3	Interrupter assembly, complete
21	264B0100G021	3	Interrupter sides
22	132C2721G001	3	Upper support
23	132C2721G002	3	Lower support
24	132C2738P001	6	Side brace
25	132C2738P002	6	Rear brace
26	132C2728P015	6	Lower brace
27	132C2721G009	3	Pole piece, left
*28	132C2721G010	3	Pole piece, right
29	134C3577G001	3	Pole piece, upper, left
*30	134C3577G002	3	Pole piece, upper, right
31	134C3577G003	3	Pole piece, upper, left
*32	134C3577G004	3	Pole piece, upper, right
33	132C2736G013	3	Pole piece, lower, left
*34	132C2736G014	3	Pole piece, lower, right
35	134C3577G007	3	Pole piece, lower, left
*36	134C3577G008	3	Pole piece, lower, right
37	134C3577G005	3	Pole piece, lower, left
*38	134C3577G006	3	Pole piece, lower, right
39	108B5521G005	15	Core assembly, 2 13/16 in.
40	108B5521G004	3	Core assembly, 3 1/16 in.
41	414A0102P008	3	Stud
*42	137A9163P002	18	Bushing
43	962C0750P009	3	Interrupter support, upper, left
44	962C0750P010	3	Interrupter support, upper, right
45	962C0750P003	3	Block
46	962C0750P002	3	Dust shield
*47	152C5933P001	3	Coil support, upper, right
48	152C5933P002	3	Coil support, upper, left
49	265C0163P009	6	Upper runner insulation
50	108B5520P001	3	Insulation plate
*51	132C2745P011	3	Coil support, lower, right
52	132C2745P012	3	Coil support, lower, left
53	152C5905G002	3	Coil, upper
54	152C5905G006	3	Coil, upper
55	152C5905G007	3	Coil, upper
56	152C5905G010	3	Coil, lower
57	152C5905G012	3	Coil, lower
58	152C5905G013	3	Coil, lower
59	934D0138G005	3	Runner, lower
60	934D0138G006	3	Runner, lower
61	934D0138G007	3	Runner, lower
62	934D0138G003	3	Runner, lower
63	934D0138G001	3	Runner, upper
64	934D0138G002	3	Runner, upper
65	934D0138G004	3	Runner, upper
66	134C3532G002	3	Lower runner barrier, left
*67	134C3532G003	3	Lower runner barrier, right
68	152C5907P006	3	Lower runner shield, left
*69	152C5907P007	3	Lower runner shield, right
70	134C3595G003	3	Throat cooler assembly, right
71	134C3595G004	3	Throat cooler assembly, left
72	114C5443G003	3	Muffler assembly

* Not illustrated

www.ElectricalPartManuals.com

GENERAL ELECTRIC COMPANY • BREAKER PLANT OPERATION • PHILADELPHIA, PA 19142

11-84 (1000)

GENERAL  ELECTRIC

TYPE AM-13.8 MAGNE-BLAST CIRCUIT BREAKER

GEF-4438

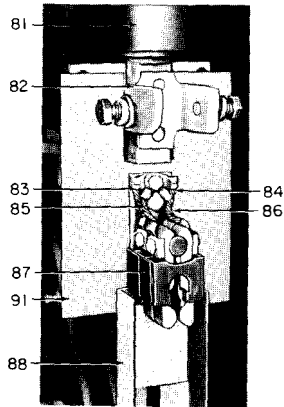


Fig. 3. Rear bushing assembly (Ref. No. 80)

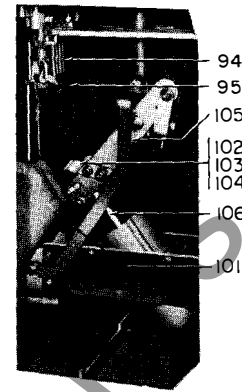


Fig. 4. Contact assembly (Ref. No. 100)

REAR BUSHING ASSEMBLY (Refer to Fig. 3 and 4)

Ref. No.	Type	Catalog Number for Type AM13.8-750 -5 and -6		No. Req'd	Description
		1200 Amp	2000 Amp		
80	H, L, F	073-213X0344G047	073-213X0344G048	3	Rear bushing assembly
80	B	213X0344G049	213X0344G050	3	Rear bushing assembly
81	All	845D0124G003	958C0684G005	3	Bushing
82	All	619C0443P017	619C0443P007	3	Interrupter support
83	All	208A8017G001	208A8017G001	3	Flexible connector, long, left
84	All	208A8017G002	208A8017G002	3	Flexible connector, long, right
85	All	208A8017G003	208A8017G003	3	Flexible connector, short, left
86	All	208A8017G004	208A8017G004	3	Flexible connector, short, right
87	All	213X0344G032	213X0344G032	3	Stationary arcing contact
88	All	208A8016G002	208A8016G002	3	Throat barrier assembly
*89	All	06445087P004	06445087P004	3	Buffer
*90	All	06557243P002	06557243P002	6	Clamp for buffer
91	All	132C2722P005	132C2722P004	3	Baffle
*92	Δ	N312P2542B	N312P2542B	18	Spring guide
*92	B	N312P2542B	N312P2542B	24	Spring guide
*93	Δ	962C0778P007	962C0778P007	3	Spring retainer
*93	B	828C0782P005	828C0782P005	3	Spring retainer
94	Δ	121A5964P001	121A5964P001	18	Primary contact finger spring
94	B	121A5964P001	121A5964P001	24	Primary contact finger spring
94A	Δ	03663094P005	03663094P005	18	Spacer
94A	B	03663094P005	03663094P005	24	Spacer
95	Δ	114C5382P002	114C5382P002	18	Primary contact finger
95	B	114C5382P002	114C5382P002	24	Primary contact finger

*Not illustrated

Δ All except breakers with "B" in suffix

CONTACT ASSEMBLY (Refer to Fig. 4)

Ref. No.	Type	Catalog Number for Type AM13.8-750 -5 and -6		No. Req'd	Description
		1200 Amp	2000 Amp		
100	Δ	073-213X0343G156	073-213X0343G157	3	Contact assembly
100	B	213X0343G158	213X0343G159	3	Contact assembly
101	All	227A5306G001	227A5306G001	3	Movable arcing contact
102	Δ	114C5382P004	114C5382P004	6	Movable primary contact
103	B	134A9164P003	137A9164P003	6	Movable primary contact
104	B	137A9164P004	137A9164P004	6	Movable primary contact
105	All	258C0666P007	258C0666P007	6	Contact arm
105	All	-----	258C0666P006	6	Contact arm
106	All	213X0343G094	213X0343G094	3	Tube and piston assembly

Δ All except breakers with "B" in suffix

TYPE AM-13.8 MAGNE-BLAST CIRCUIT BREAKER

RECOMMENDED PARTS FOR NORMAL MAINTENANCE

Fig. No.	Ref. No.	Type	Catalog Number for Type AM13.8-750 -5 and -6		No. Req'd.	Description
			1200 Amp	2000 Amp		
1	6	All	073-263B0292P002	073-263B0292P002	3	Booster cylinder
1	5	H, L, F	165B7903G001	165B7903G001	3	Operating rod assembly
1	5	HB, LB, FB	165B7903G007	165B7903G007	3	Operating rod assembly
3	83	All	208A8017G001	208A8017G001	3	Flexible connector, long, left
3	84	All	208A8017G002	208A8017G002	3	Flexible connector, long, right
3	85	All	208A8017G003	208A8017G003	3	Flexible connector, short, left
3	86	All	208A8017G004	208A8017G004	3	Flexible connector, short, right
3	88	All	208A8016G002	208A8016G002	3	Throat barrier assembly
3	87	All	213X0344G032	213X0344G032	3	Stationary arcing contact
4	94	Δ	121A5964P001	121A5964P001	18	Primary contact finger spring
4	94	B	121A5964P001	121A5964P001	24	Primary contact finger spring
4	*94A	Δ	03663094P005	03663094P005	18	Spacer
4	*94A	B	03663094P005	03663094P005	24	Spacer
4	95	Δ	114C5382P002	114C5382P002	18	Primary contact finger
4	95	B	114C5382P002	114C5382P002	24	Primary contact finger
4	102	Δ	114C5382P004	114C5382P004	6	Movable primary contact
4	103	B	137A9164P003	137A9164P003	6	Movable primary contact
4	104	B	137A9164P004	137A9164P004	6	Movable primary contact
4	101	All	227A5306G001	227A5306G001	3	Movable arcing contact
4	106	All	213X0343G094	213X0343G094	3	Tube and piston assembly
2	70	All	134C3595G003	134C3595G003	3	Throat cooler assembly, right
2	71	All	134C3595G004	134C3595G004	3	Throat cooler assembly, left
2	66	All	134C3532G002	134C3532G002	3	Lower runner barrier, right
2	*67	All	134C3532G003	134C3532G003	3	Lower runner barrier, left
2	49	All	265C0163P009	265C0163P009	6	Upper runner insulation
2	68	All	152C5907P006	152C5907P006	3	Lower runner shield, left
2	*69	All	152C5907P007	152C5907P007	3	Lower runner shield, right
2	50	All	108B5520P001	108B5520P001	3	Insulation plate

*Not illustrated.

Δ All except breakers with "B" in suffix.