

RENEWAL PARTS**TYPE MC-6A AND MC-6B
AIR CIRCUIT BREAKERS****WARNING!**

This equipment is not sold for use in or with an atomic installation or activity, and if so used without its prior written consent, manufacturer disclaims all responsibility of every kind including negligence.

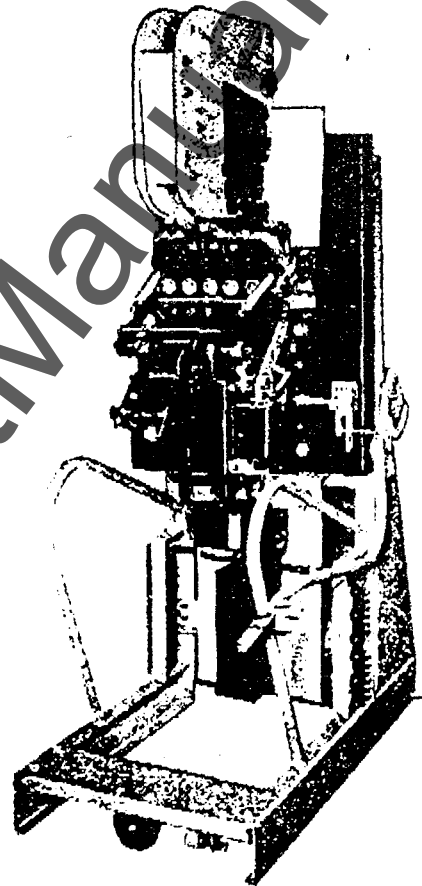


Fig. 1. Type MC-6A air circuit breaker rated 8000 amperes

ORDERING INSTRUCTIONS

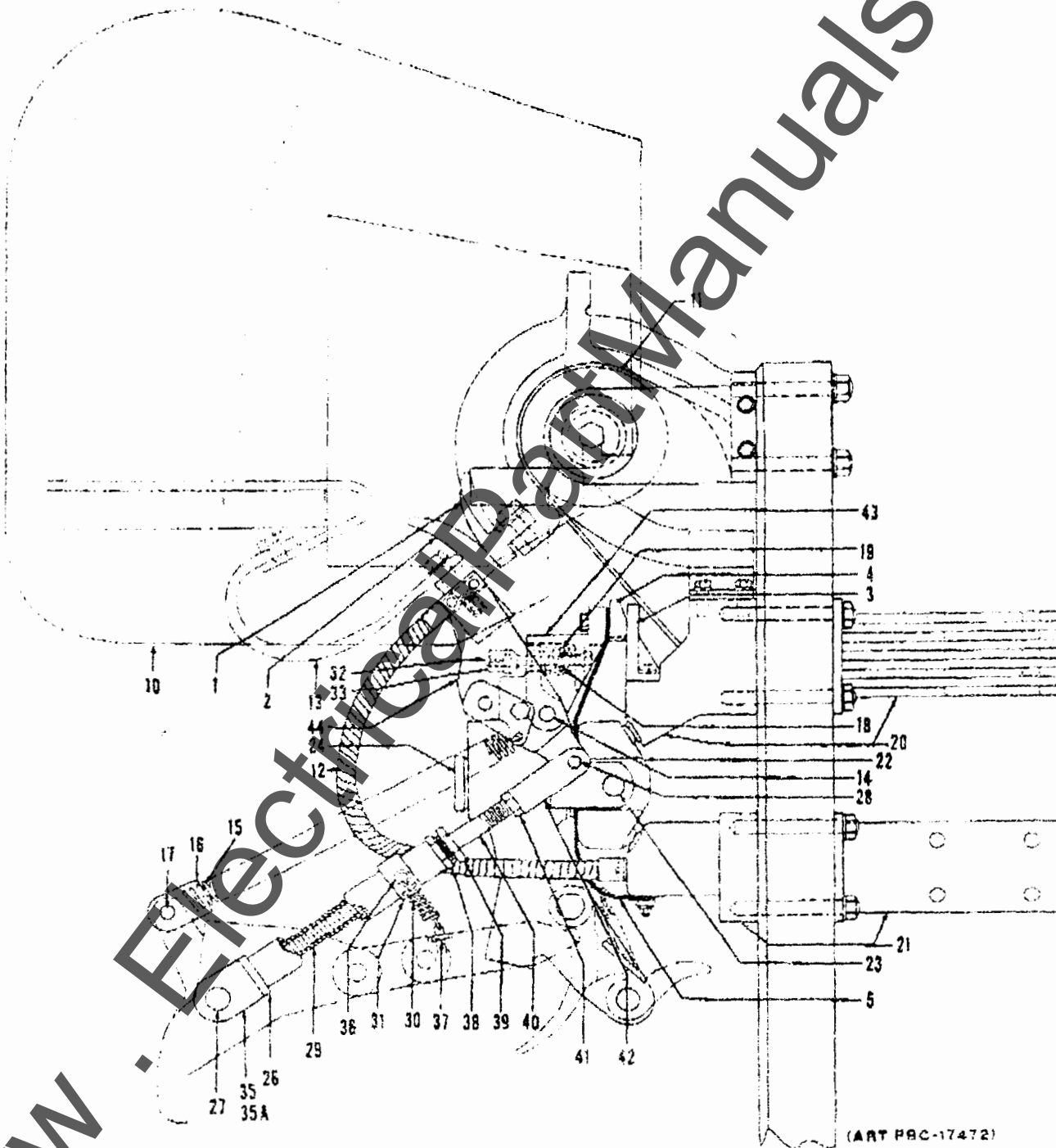
For Parts of Auxiliary Switches see Bulletin GEF-2445

1. Always specify the complete nameplate data of the Breaker.
2. Specify the quantity, catalog number (if listed), reference number (if listed), and this bulletin number.
3. Standard hardware, such as screws, bolts, nuts, washers, etc., is not listed in this bulletin. Such items should be purchased locally.
4. For prices, refer to the nearest office of the General Electric Company.

When ordering renewal parts, give quantity, catalog number, description of each item required, and complete nameplate reading.

GENERAL  ELECTRIC

TYPE MC-6 AIR CIRCUIT BREAKERS



(ART PBC-17472)

Fig. 2. Contact arrangement

www.ElectricalPaperManuals.com

TYPE MC-6 AIR CIRCUIT BREAKERS

Ref. No.	Catalog No.				No. per Breaker	Description
	2000 Amperes	4000 Amperes	6000 Amperes	8000, 10000 and 12000 Amperes		
*1	622C519G24	622C519G24	622C519G24	622C519G24	1	Stationary primary arcing tip, for MC-6 or MC-6A
*1	2437279P1	2437279P1	2437279P1	2437279P1	1	Stationary primary arcing tip, for MC-6B
*2	622C519G23	622C519G23	622C519G23	622C519G23	1	Movable primary arcing tip, for MC-6 or MC-6A
*2	1476440	1476440	1476440	1476440	1	Movable primary arcing tip, for MC-6B
*3	622C519G28	622C519G27	622C519G26	Note a	1	Stationary secondary arcing tip, for MC-6 or MC-6A
*3	6009393P1	6009393P1	6009393P2	Note b	1	Stationary secondary arcing tip, for MC-6B
*4	622C519G22	622C519G22	622C519G22	622C519G22	1	Movable secondary arcing tip, for MC-6 or MC-6A
*4	6047538	6047538	6047538	6047538	1	Movable secondary arcing tip, for MC-6B
5	6048736	6048736	6115217G1	6115217G1	1	Flexible connection
Δ10	6034752G4	6034752G4	6034752G4	6034752G4	1	Arc chute, for MC-6A, 750 v; or MC-6B, 250-1000 v
10	238D642G1	238D642G1	238D642G1	238D642G1	1	Arc chute, for MC-6 or MC-6A, 1000 v
11	See page 6	See page 6	See page 6	See page 6	1	Blowout coil
12	See page 6	See page 6	See page 6	See page 6	1	Flexible connection
13	See page 6	See page 6	See page 6	See page 6	1	Flexible connection
14	6076405P260	6076405P260	6047531P1	6047531P1	1	Pin
15	412A229	412A229	412A230	412A230	2	Opening spring and spring holder
17	6027249P27	6027249P27	6027249P27	6027249P27	2	Pin
*18	6079837	6079837	6079837	6079837	1	Inner spring
*19	6079838	6079838	6079838	6079838	1	Outer spring
20	See page 15	See page 15	See page 15	See page 15	1	Upper stud
21	See page 15	See page 15	See page 15	See page 15	1	Lower stud
22	6073556G1	6073556G1	6073556G1	6073556G1	1	Bridge contact
23	6076406P225	6076406P259	6047535P1	6047535P1	1	Pin
24	6049760P1	6049760P1	6049760P1	6049760P1	1	Adjusting nut
§25	6008983	6008983	6008983	6008983	1	Spring (behind Ref. No. 24)
26	6028044G2	6028044G2	6028044G1	6028044G1	1	Opening device, complete
27	372A224P1	372A224P1	372A224P5	372A224P5	1	Pin
28	6076404P5	6076404P5	6076404P5	6076404P5	2	Pin
29	6016154P10	6016154P10	6016154P10	6016154P10	2	Spring
30	6509821	6509821	6509821	6509821	1	Spring and spring holder
32	6047539	6047539	6047539	6047539	1	Adjusting screw
33	6047542	6047542	6047542	6047542	1	Adjusting nut
§34	6059421	6059421	6059421	6059421	1	Guide pin, for Ref. No. 24 and 25
35	6028044G6	6028044G6	6028044G4	6028044G4	1	Tube and coupling, right
35A	6028044G7	6028044G7	6028044G5	6028044G5	1	Tube and coupling, left
36	6028044P15	6028044P15	6028044P8	6028044P8	1	Rod
37	6028044P13	6028044P13	6028044P13	6028044P13	1	Stud
38	6016154P5	6016154P5	6016154P5	6016154P5	2	Nut
39	6016154P4	6016154P4	6016154P4	6016154P4	2	Bushing
40	6016154P3	6016154P3	6016154P3	6016154P3	2	Rod
41	6016154P7	6016154P7	6016154P7	6016154P7	2	Nut
42	6016154P8	6016154P8	6016154P8	6016154P8	2	Coupling
43	6027258P3	6027258P3	6027258P3	6027258P3	1	Contact support
44	See page 6	See page 6	See page 6	See page 6	1	Secondary contact lever assembly

- * Recommended for normal maintenance.
- a. Specify Cat. No. 622C519G25 for 8000 or 10,000 amperes. Specify Cat. No. 0116B7191G1 for 12,000 amperes.
- b. Specify Cat. No. 6009393P3 for 8000 or 10,000 amperes. Specify Cat. No. 6246097P1 for 12,000 amperes.
- † One is furnished for 2000 amperes; two are furnished for 4000 amperes; four for 6000 amperes; five for 8000, 10,000 or 12,000 amperes.
- Δ For MC-6 breakers (no suffix letter) specify Cat. No. 6034752G3.
- π If either spring Ref. No. 18 or 19 needs replacement, both springs should be replaced at the same time.
- § Not illustrated.

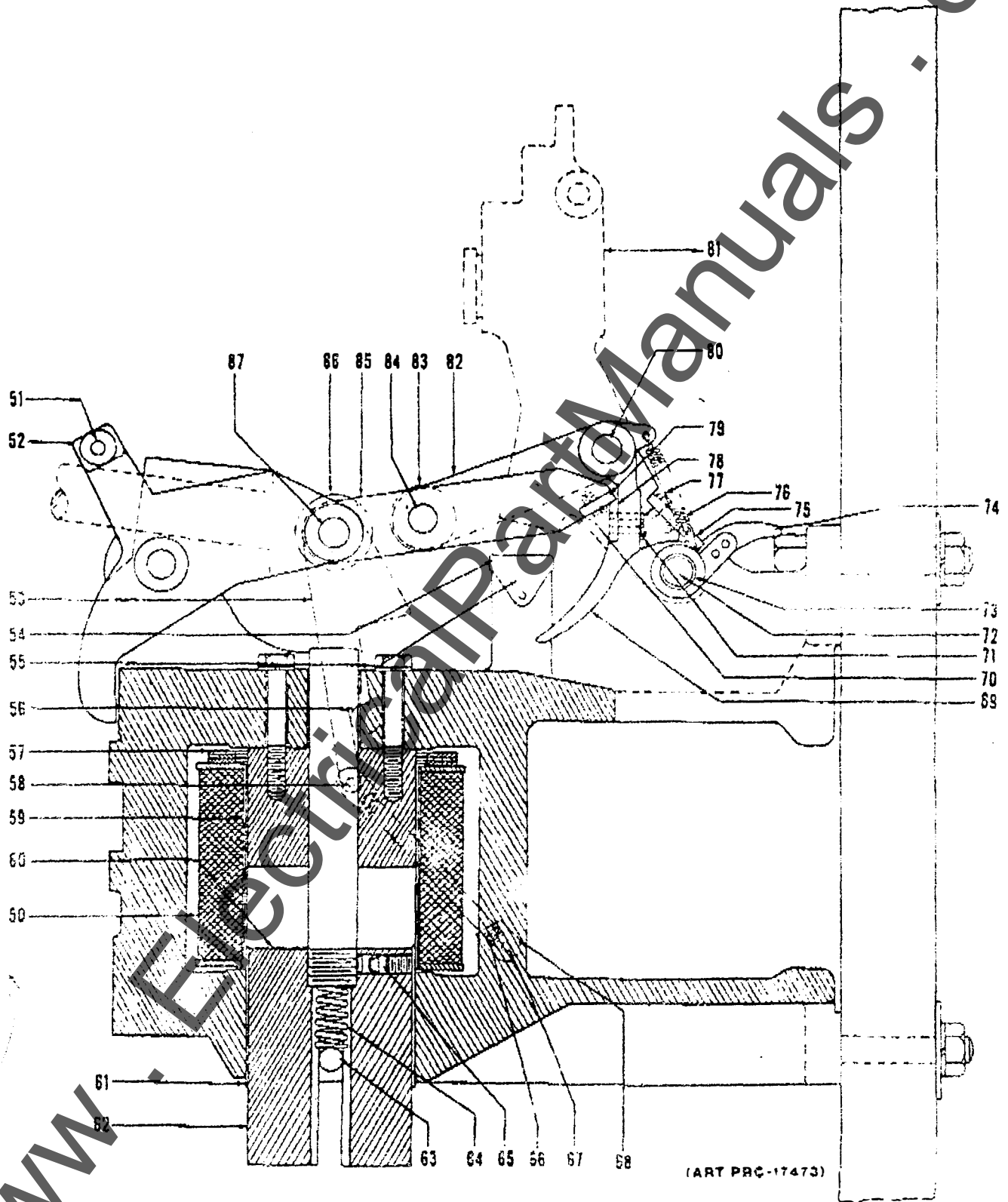


Fig. 3. Solenoid operating mechanism

CLOSING COIL (REF. NO. 50)

Ref. No.	Voltage DC	Breaker Rating in Amperes			
		2000 Amp.	4000 Amp.	6000 Amp.	8000, 10000, 12000 Amp
*50	125	6174524G4	6174524G2	6275078G1	6275078G2
*50	250	6174524G5	6174524G7	6275078G3	6275078G4
*50	600	6174524G8	6174524G8	6275078G5	†

Ref. No.	Catalog Number				No. per Breaker	Description
	2000, 4000 A. Stationary	6000 to 12000 A. Stationary	2000, 4000 A. Drawout	6000 to 12000 A. Drawout		
51	6027249P27	6027249P27	6027249P27	6027249P27	2	Pin
52	6028036P2	6027249P2	6028036P2	6027249P2	1	Main toggle link
53	6048627	6047924	6048627	6047924	1	Catch
54	6041888	6041888	6041888	6041888	†	Bracket
55	6056459	6056459	6056459	6056459	†	Buffer
56	6403909P2	6403909P2	6403909P2	6403909P2	†	Stop pin
57	6056461P2	6056461P1	6056461P2	6056461P1	†	Spacer
58	3806086P195	3806086P195	3806086P195	3806086P195	1	Pin
59	6056717P1	6048731	6056717P1	6048731	1	Pole piece
60	6056463P1	6056463P2	6056463P1	6056463P2	1	Washer
61	6049295	6040065	6049295	6040065	1	Bushing
62	6073884G1	6073884G2	6073884G1	6073884G2	1	Armature and pin
63	407079	6040089	407079	6040089	1	Pin
64	365A326	6372918	365A326	6372918	1	Spring
65	6159915P329	6159905P408	6159915P329	6159905P408	1	Set screw
66	6008220	6008220	6008220	6008220	1	Spring
67	6048317	6048317	6048317	6048317	1	Pin
68	6048318	6048318	6048318	6048318	2	Spring holder
69	6028036P4	6125354P3	6028036P4	6125354P3	1	Catch lever
70	6009651P3	6009651P3	6009651P3	6009651P3	1	Locking plate
71	6009651P2	6009651P2	6009651P2	6009651P2	1	Locking plate
72	372A224P1	372A224P4	372A224P1	6444803P1	1	Pin
73	2464024	6040053	2464024	6040053	1	Bushing
74	6175496G1	Note c	6404348G1	Note d	1	Catch and bearing
75	127A6433P1	127A6433P1	127A6433P1	127A6433P1	1	Catch
76	6005116	6027249G3	6005116	6027249G3	1	Reset spring
77	6009651P1	6009651P1	6009651P1	6009651P1	1	Locking plate
78	6027249P12	6027249P12	6027249P12	6027249P12	1	Catch
79	6056523	6056523	6056523	6056523	1	Catch
80	6447838P1	174V562	6447838P1	174V562	1	Pin
81	Note e	6125354P2	Note e	6125354P2	†	Supporting lever
81	-----	6115632P7	-----	6115632P7	1	Supporting lever, second from right, reverse-current breakers
81	-----	6115632P8	-----	6115632P8	1	Supporting lever, second from left, reverse-current breakers
82	6028036P5	6027249P3	6028036P5	6027249P3	2	Toggle link
83	6048626	6047552	6048626	6047552	1	Roller
84	372A224P2	174V564	372A224P2	174V564	1	Pin
85	6028036P3	6027249P4	6028036P3	6027249P4	1	Catch toggle link
86	6048732	6040052	6048732	6040052	1	Roller
87	6447838P1	6076407P274	6447838P1	6076407P274	1	Pin

* Recommended for normal maintenance
 † Not furnished in this rating
 ‡ One is furnished for 2000 amperes; two are furnished for 4000 amperes; four for 6000 amperes; five for 8000, 10000, or 12000 amperes
 § Two are furnished for 2000 amperes; four for 4000 amperes; eight for 6000 amperes; ten for 8000, 10000, or 12000 amperes
 c. Specify Cat. No. 6175495G1 for breakers without reverse-current device; specify Cat. No. 6175801G2 for breakers with reverse-current device.
 d. Specify Cat. No. 6404349G1 for breakers without reverse-current device; specify Cat. No. 6414357G1 for breakers with reverse-current device
 e. Specify Cat. No. 6028055P2 for 2000 amperes; specify Cat. No. 6027258P2 for 4000 amperes

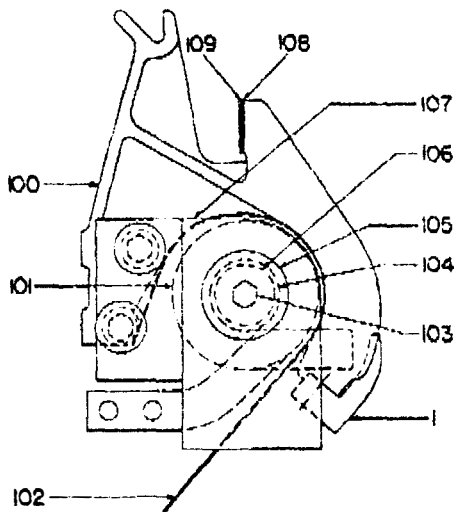


Fig. 4. Blowout coil assembly (Ref. No. 11)

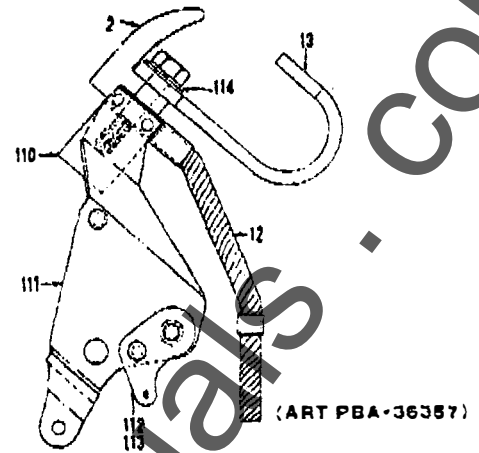


Fig. 5. Secondary contact lever assembly (Ref. No. 44)

BLOWOUT COIL ASSEMBLY (Ref. No. 11)

Ref. No.	Catalog Number		No. per Breaker	Description
	Rating of Breaker in Amperes			
	2000, 4000	6000 to 12000		
* 1	See pages 2, 3	See pages 2, 3	1	Stationary arcing tip
11	6317302G7	6317302G6	1	Blowout coil, complete, for MC-6, 750 v
11	622C514G3	622C514G1	1	Blowout coil, complete, for MC-6, 1000 v, MC-6A, 750 v or 1000 v
11	622C514G6	622C514G5	1	Blowout coil, complete, for MC-6B, 750 v or 1000 v
100	622C514G4	622C514G2	1	Coil and bracket
101	6244753P1	6244753P1	5	Washer
102	622C514P11	622C514P11	1	Insulation
103	1487680	1487680	2	Support screw
104	457A646P3	457A646P3	1	Insulation
105	622C514P6	622C514P6	1	Washer
106	622C514P8	622C514P8	1	Core
107	622C514P12	622C514P12	1	Core support, left
107A	622C514P13	622C514P13	1	Core support, right
108	459A304P4	459A304P4	3	Shim
108	459A304P3	459A304P3	1	Spacer

SECONDARY CONTACT LEVER ASSEMBLY (Ref. No. 44)

Ref. No.	Catalog Number			No. per Breaker	Description
	Rating of Breaker in Amperes				
	2000, 4000	6000 to 12000	6000 to 12000 with rev. cur. dev.		
* 2	See pages 2, 3	See pages 2, 3	See pages 2, 3	1	Movable arcing tip
12	6008835G1	622C532G1	622C532G5	1	Flexible connection
13	6024044G2	295B449G1	295B449G1	1	Flexible connection
44	Note f	Note g	695C192G3	1	Secondary contact lever, complete
110	6241974P1	†	†	1	Contact block
111	6028084G4	295B450G3	295B450G3	1	Contact lever
112	6201984P1	6201984P3	6201984P3	1	Spring holder, left
113	6201984P2	6201984P4	6201984P4	1	Spring holder, right
114	6024044P5	6024044P5	6024044P5	1	Clamp

* Recommended for normal maintenance

† Two are furnished on 1000-v MC-6A breakers; four are furnished on all others.

‡ Specify Cat. No. 6028048G3 for MC-6A; specify Cat. No. 6028048G2 for MC-6B.

§ Not furnished in this rating.

g. Specify Cat. No. 695C192G2 for MC-6A; specify Cat. No. 695C192G1 for MC-6B.

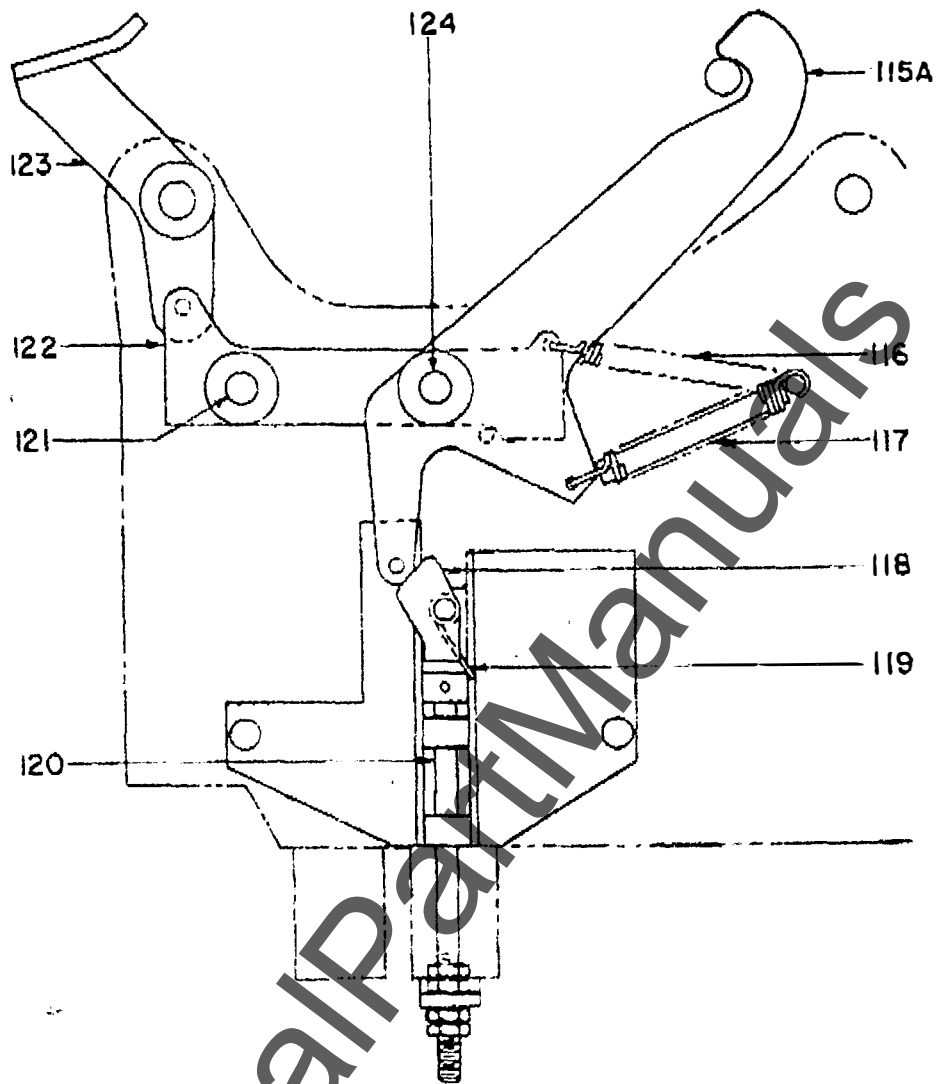


Fig. 6 Anti-rebound hook assembly

ANTI-REBOUND HOOK ASSEMBLY

Ref. No.	Catalog Number		No. per Breaker	Description
	2000, 4000 Amperes	6000 to 12000 Amperes		
115	848C419G1	848C419G2	1	Anti-rebound hook assembly
115A	622C518G2	622C518G2	1	Hook
116	6172533	6172533	1	Spring
117	412A223	412A223	1	Spring
118	412A219P1	412A219P1	1	Pawl
119	6444482P1	6444482P1	1	Spring
120	887B311P5	887B311P6	1	Rod
121	†	6403909P1	1	Pin
122	622C518G4	622C518G1	1	Slide link
123	6414010G1	6317682G1	1	Manual release lever
124	6403909P2	6403909P2	1	Pin

† Not furnished in this rating.

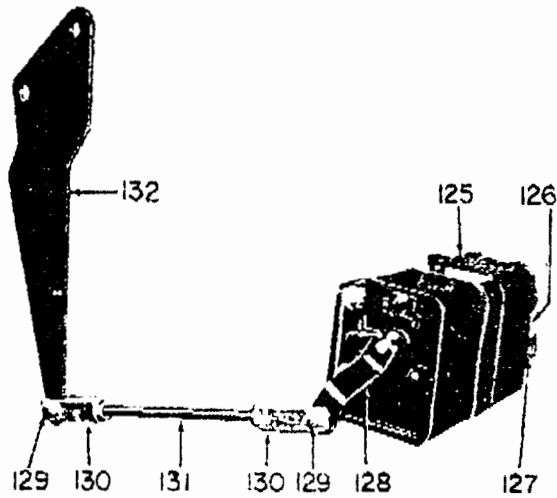


Fig. 7. Auxiliary switch for 750-volt stationary breakers and MC-6 (no dash number) drawout breakers

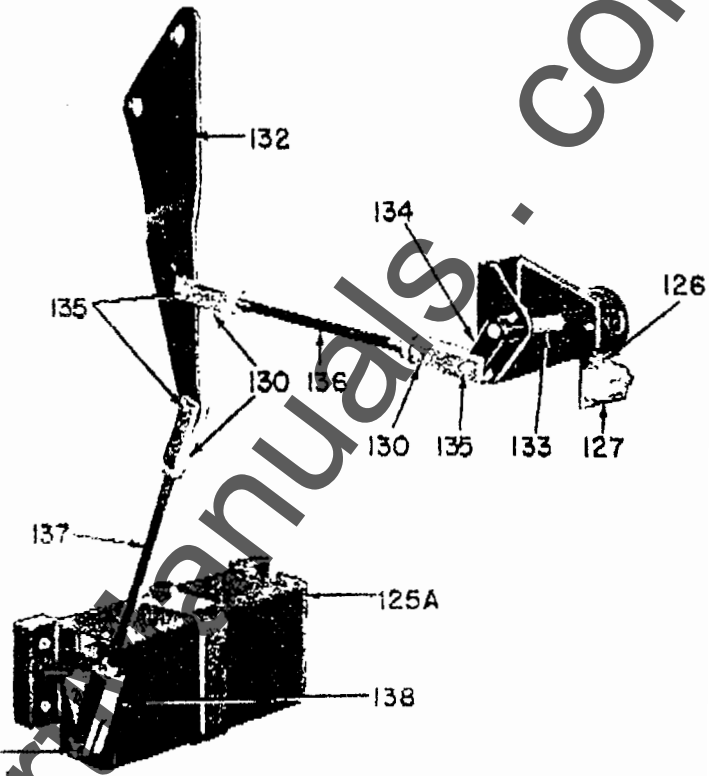


Fig. 8. Auxiliary switch for 1000-volt stationary breakers and all MC-6A and MC-6B drawout breakers

Ref. No.	Cat. No.	No. per Breaker	Description
† 125	6052746G7	1	Auxiliary switch, 8-stage
† 125	6052746G9	1	Auxiliary switch, 10-stage
† 125	6052746G1	1	Auxiliary switch, 12-stage
† 125A	6578520G1	1	Auxiliary switch, 8-stage
† 125A	6303604G1	1	Auxiliary switch, 10-stage
† 125A	6305654G1	1	Auxiliary switch, 12-stage
126	6071046	1	Spring
127	6192382P3	1	Counter
128	6073911P1	1	Crank
129	6076403P1	1	Pin
130	2429813P1	1	Coupling
131	6056527P1	1	Rod
132	267B318G1	1	Crank, for 2000- or 4000-amp breakers without undervoltage devices
132	267B318G2	1	Crank, for 6000- to 12000-amp breakers without undervoltage devices
132	117A531P1	1	Crank, for 2000- or 4000-amp breakers with undervoltage device
132	117A531P2	1	Crank, for 6000- to 12000-amp breakers with undervoltage devices
133	6317231P8	1	Shaft
134	6329308G2	1	Lever
135	6076403P101	3	Pin
136	6317231P11	1	Rod, for 2000- or 4000-amp breakers
136	6317231P10	1	Rod, for 6000- to 12000-amp breakers
137	6317231P12	1	Rod, for 2000- or 4000-amp breakers
137	6317231P9	1	Rod, for 6000- to 12000-amp breakers
138	6244623P2	1	Coupling
139	6317231P4	1	Pin

includes Ref. 126 and 127

† Two are furnished for Fig. 7, three for Fig. 8

† For detail parts of auxiliary switch, refer to parts bulletin GEF-2445

TYPE MC-6 AIR CIRCUIT BREAKERS

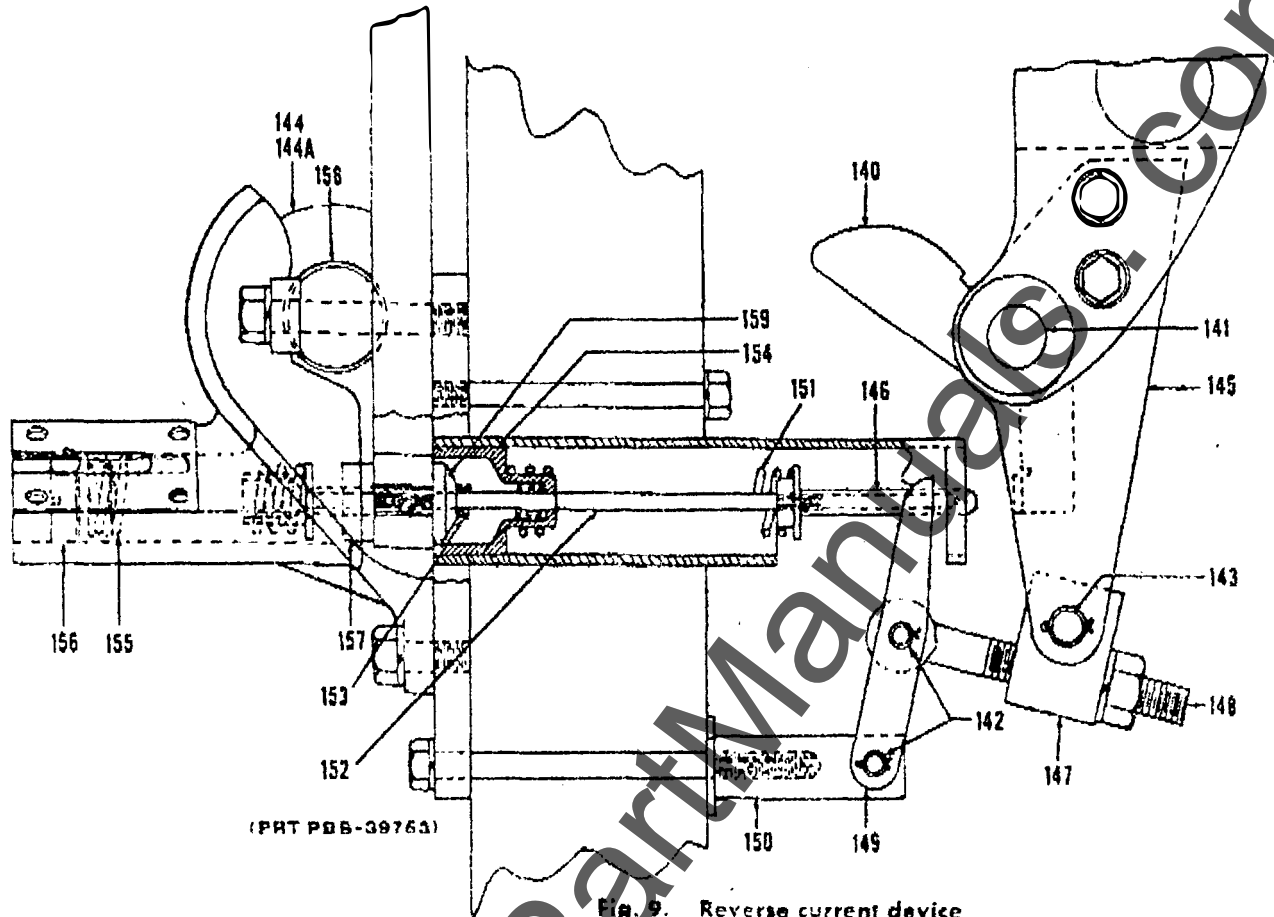
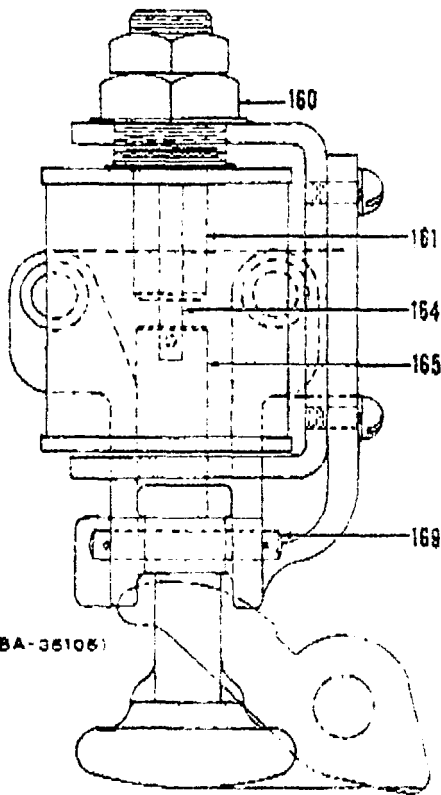


Fig. 9. Reverse current device

Ref. No.	Catalog Number		No. per Breaker	Description
	2000, 4000 Amperes	6000 to 12000 Amperes		
140	6175801G1	6175801G2	1	Catch for stationary breakers
140	†	6414367G1	1	Catch for drawout breakers
141	2464024	6040053	1	Bushing
142	6076402P203	6076402P203	2	Pin
143	6076404P221	6076404P255	1	Pin
*144	6275051G1	6275051G1	1	Coil, for 27-volts d-c operation
*144	6275051G4	6275051G4	1	Coil, for 48-volts d-c operation
*144	6275051G3	6275051G3	1	Coil, for 125- to 600-volts d-c operation
144A	IC9006C102C375	IC9006C102C375	1	Resistor, for 125-volts d-c operation
144A	IC9006C104B1200	IC9006C104B1200	1	Resistor, for 250- or 275-volts d-c operation
144A	IC9006C104B3000	IC9006C104B3000	1	Resistor, for 425- to 575-volts d-c operation
144A	IC9006C104B3280	IC9006C104B3280	1	Resistor, for 600-volts d-c operation
145	6175802P1	6175802P2	1	Extension plate
146	6145668P1	6145668P2	1	Plunger
147	6444385P1	6444385P1	1	Link
148	6444386P1	6444386P1	1	Eyebolt
149	6145669	6145669	2	Reset lever
150	6145672	6145672	1	Lever support
151	6079842	6079842	1	Tripping spring
152	6303389G1	6303389G1	1	Spring guide and rod, for 2-in. or 2 1/2-in. panel
152	6303389G2	6303389G2	1	Spring guide and rod, for 3-in. panel
153	6079843	6079843	1	Spring
154	6145674	6145674	1	Spring cup
155	6079841	6079841	1	Calibrating spring
156	6145664	6145664	1	Calibrating plug
157	6145778	6145778	1	Buffer
158	6145667	6145667	1	Insulation tube
159	6241196	6241196	1	Armature

† Not furnished in this rating

* Recommended for normal maintenance

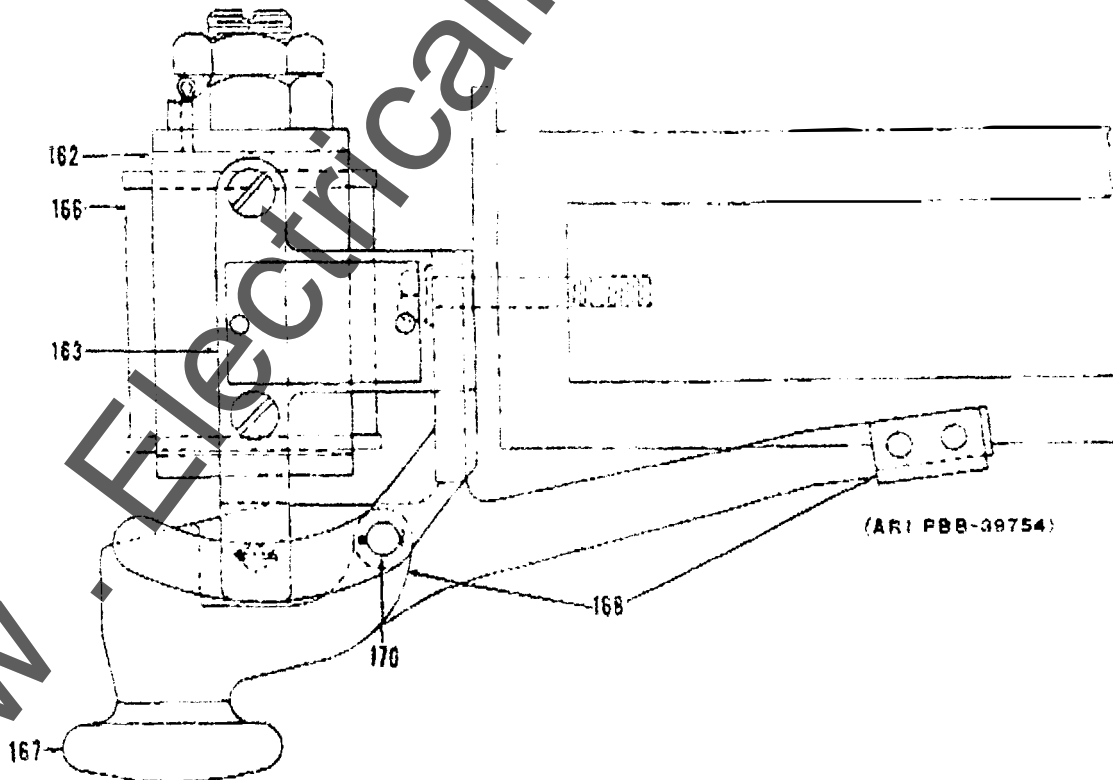


(ART PBA-35105)

Ref. No.	Catalog No.	No. per Breaker	Description
160	6246991P1	1	Pole piece nut
161	6246992P1	1	Pole piece
162	2452197	1	Magnet frame
163	2862179P2	1	Bracket
164	2463680	1	Pin
165	6022680P6	1	Armature
*166	3121915	1	Coil, for 28- to 60-volts operation
*166	3122475	1	Coil, for 70- to 280-volts operation
*166	3122476	1	Coil, for 281- to 650-volts operation
167	6246018P2	1	Trip button
168	6022680G5	1	Trip lever and shoe, for 2000 or 4000 amperes
168	6022680G4	1	Trip lever and shoe, for 6000 to 12000 amperes
169	6076401P3	1	Pin
170	6076402P217	1	Pin

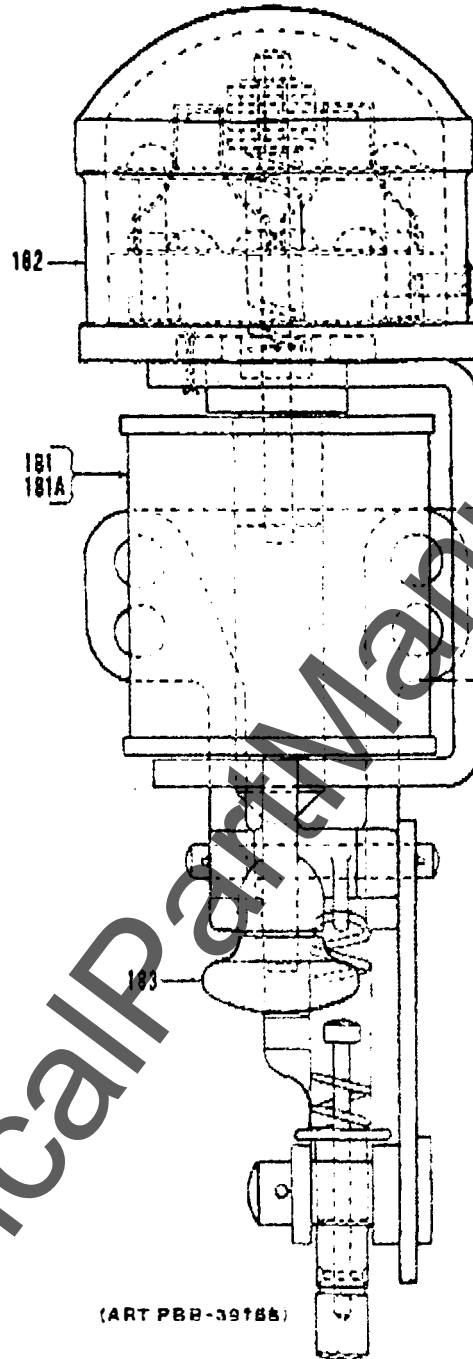
*Recommended for normal maintenance

Fig. 10. Shunt trip device (end view)



(ART PBB-38754)

Fig. 10A. Shunt trip device (front view)



(ART PBB-39185)

Fig. 11. Undervoltage device (Ref. No. 180)

Ref. No.	Catalog No.	No. per Breaker	Description
180	6026089G3	1	Undervoltage device, complete, for 2000 or 4000 amperes
180	6026089G4	1	Undervoltage device, complete, for 6000 to 12000 amperes
180	6026089G5	1	Undervoltage device, complete, for 6000 to 12000 amperes breakers with reverse current devices
*181	3122332	1	Coil
181A	IC9006C101A390	1	Resistor, for 100- to 140-volt operation
181A	IC9006C102B1020	1	Resistor, for 200- to 300-volt operation
181A	IC9006C103B3000	1	Resistor, for 460- to 600-volt operation
182	2431452	1	Cover
183	6241017P1	1	Button

* Recommended for normal maintenance

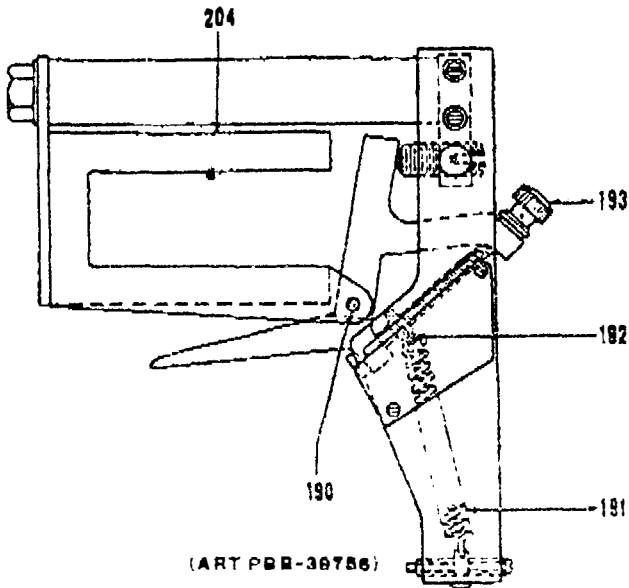


Fig. 12. Instantaneous overcurrent trip device for 2000 and 4000 amperes

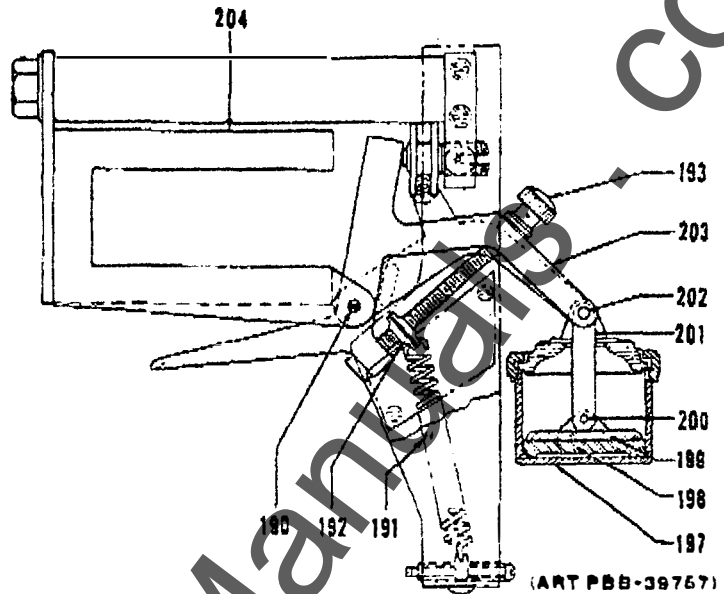


Fig. 13. Time delay overcurrent trip device for 2000 and 4000 amperes

Ref. No.	Catalog No.	No. per Breaker	Description
190	6076402P25	1	Pin, for time delay
190	6076402P219	1	Pin, for instantaneous
191	6079825	1	Spring, for 2000 amperes
191	6001267	1	Spring, for 4000 amperes
192	2469924	1	Indicator
193	6045215	1	Thumb nut
196	6012766G1	1	Dash pot assembly, complete
197	6044896	1	Dash pot
198	6044891	1	Lower disk
199	2893288P1	1	Disk
200	6145994	1	Pin
201	6043926	1	Link
202	2437281	2	Bushing
203	6025201G2	1	Armature and lever, for time delay
203	6025201G3	1	Armature and lever, for instantaneous
204	2873304G2	1	Magnet, for 100% to 200% calibration
204	6414236G2	1	Magnet, for 200% to 400% calibration

www.ElectricalPart.com

TYPE MC-6 AIR CIRCUIT BREAKERS

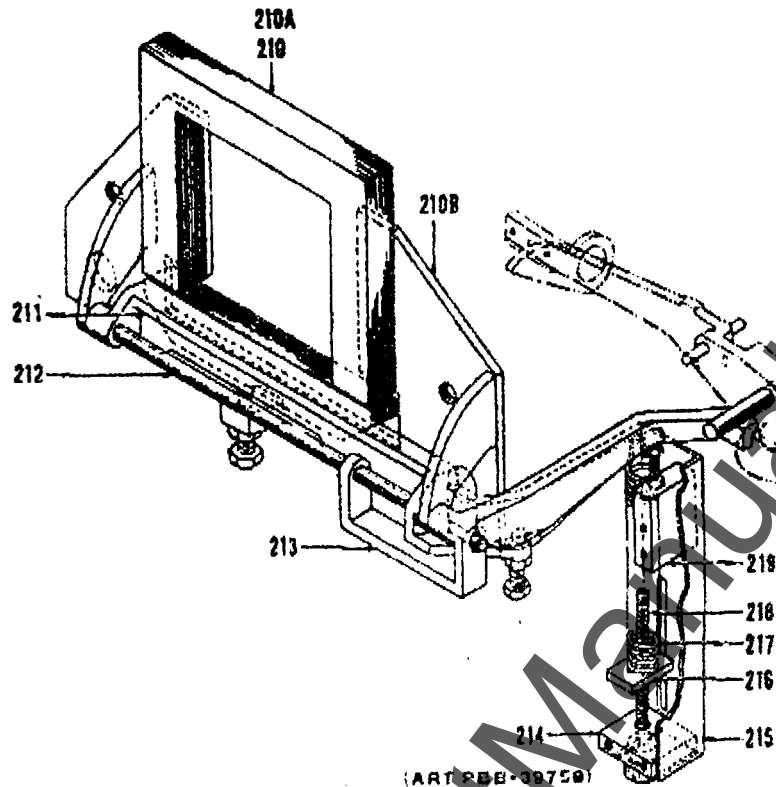


Fig. 14. Instantaneous overcurrent trip device for 6000 to 12,000 amperes (rear view)

Ref. No.	6000 Amperes	Catalog Number		No. per Breaker	Description
		8000 to 12000 Amperes			
		Lower Stud Vertical	Lower Stud Horizontal or Drawout		
210	6150621G1	-----	-----	1	Magnet and plate, for 100% to 200% calibration
210	6150621G2	-----	-----	1	Magnet and plate, for 200% to 400% calibration
210A	-----	293B260G1	293B260G2	1	Magnet, for 100% to 200% calibration
210A	-----	6555074G1	-----	1	Magnet, for 200% to 400% calibration
210B	-----	6105660G1	6317418G1	1	Plate
211	6150622G1	6150622G1	6372464G1	1	Armature, for 2-in. or 2 1/2 in. panel
211	6150622G2	6150622G2	6372464G2	1	Armature, for 3-in. panel
212	6144280	6144286	6144280P2	1	Pin
213	6105658P1	6105661P1	6105661P1	1	Trip arm
214	6144244	6144244	6144244	1	Block
215	6144246	6144246	61244246	1	Scale plate
216	6150749P1	6150749P1	6150749P1	1	Index pointer
217	6175788	6175788	6175788	1	Spring
218	6144243	6144243	6144243	1	Calibrating screw
219	6144245	6144245	6144245	1	Block

WWW.ELECTRICPARTS.COM

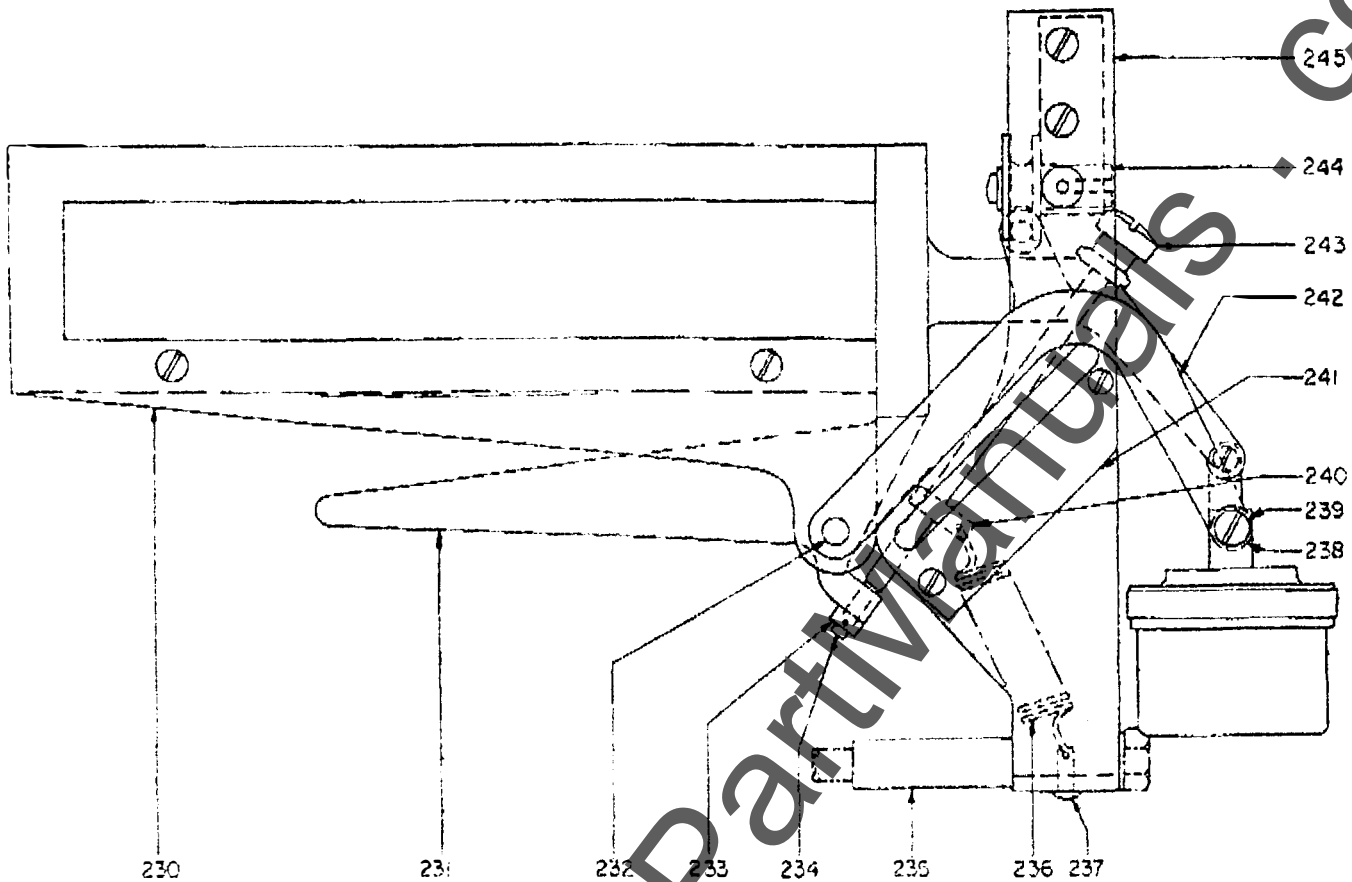


Fig. 15. Time delay overcurrent trip device for use with reverse current device, for 6000 to 10,000 amperes only

Ref. No.	Catalog No.	No. per Breaker	Description
230	3217699G3	1	Magnet, 100% to 200% calibration
230	6414255G1	1	Magnet, 200% to 400% calibration
231	6029738G2	1	Armature
232	6056730	1	Pin
233	6045216	1	Collar
234	6040056	1	Calibrating screw
235	6176109P445	1	Spacer
236	6172533	1	Calibrating spring, 6000 amperes
236	6079818	1	Calibrating spring, 8000 or 10000 amperes
237	6144113P1	1	Spring support
238	2437281	2	Bushing
239	2463655	2	Screw
240	6048315	1	Indicator
241	6145492	1	Calibrating plate
242	6018229P1	1	Yoke
243	6048313	1	Thumb nut
244	127A6431P2	1	Adjusting screw
245	6074078G2	1	Calibration plate

TYPE MC-6 AIR CIRCUIT BREAKERS

GEF-4189A

UPPER STUD (Ref. No. 20)
(See Fig. 2, Page 2)

Ref. No.	Breaker Rating in Amperes	Type of Breaker	Length and Direction of Laminations	No. per Breaker	Catalog No.
20	2000	Stationary	7 3/4 in., horizontal	1	6125202G1
20	2000	Stationary	7 3/4 in., vertical	1	6228206G1
20	2000	Drawout	-----	1	263C560G1
20	4000	Stationary	7 3/4 in., horizontal	1	6028046G1
20	4000	Stationary	7 3/4 in., vertical	1	6028046G2
20	4000	Drawout	-----	1	263C561G1
20	6000	Stationary	8 in., horizontal	1	6027251G1
20	6000	Stationary	8 in., vertical	1	6125575G1
20	6000	Drawout	-----	1	263C562G1
20	8000, 10000	Stationary	8 in., horizontal	1	6125144G1
20	8000, 10000	Stationary	8 in., vertical	1	6423227G2
20	8000, 10000	Drawout	-----	1	263C563G1
20	12000	Stationary	17 in., horizontal	1	6257506G1
20	12000	Stationary	10 in., horizontal	1	6257506G2
20	12000	Stationary	13 1/2 in., horizontal	1	6157506G3

LOWER STUD (Ref. No. 21)
(See Fig. 2, Page 2)

Ref. No.	Breaker Rating in Amperes	Type of Breaker	Length and Direction of Laminations	No. per Breaker	Catalog No.
21	2000	Stationary	7 3/4 in., horizontal	1	6125201G2
21	2000	Stationary	7 3/4 in., vertical	1	6125201G1
21	2000	Drawout	-----	1	6423969G2
21	4000	Stationary	7 3/4 in., horizontal	1	6028047G3
21	4000	Stationary	7 3/4 in., vertical	1	6028047G1
21	4000	Drawout	-----	1	6423651G2
21	6000	Stationary	8 in., horizontal	1	6102889G2
21	6000	Stationary	8 in., vertical	1	6102819G2
21	6000	Stationary	12 in., horizontal	1	6102889G1
21	6000	Stationary	12 in., vertical	1	6125360G2
21	6000	Drawout	-----	1	6125360G3 (a)
21	8000, 10000	Stationary	8 in., horizontal	1	6423228G3
21	8000, 10000	Stationary	8 in., vertical	1	6102820G2
21	8000, 10000	Stationary	12 in., horizontal	1	6423228G1
21	8000, 10000	Stationary	12 in., vertical	1	6125363G3
21	8000, 10000	Drawout	-----	1	263C564G1
21	12000	Stationary	18 in., horizontal	1	0102C2372G1 (b)
21	12000	Stationary	18 in., horizontal	1	0102C2372G2 (b)
21	12000	Stationary	17 in., vertical	1	6257507G1

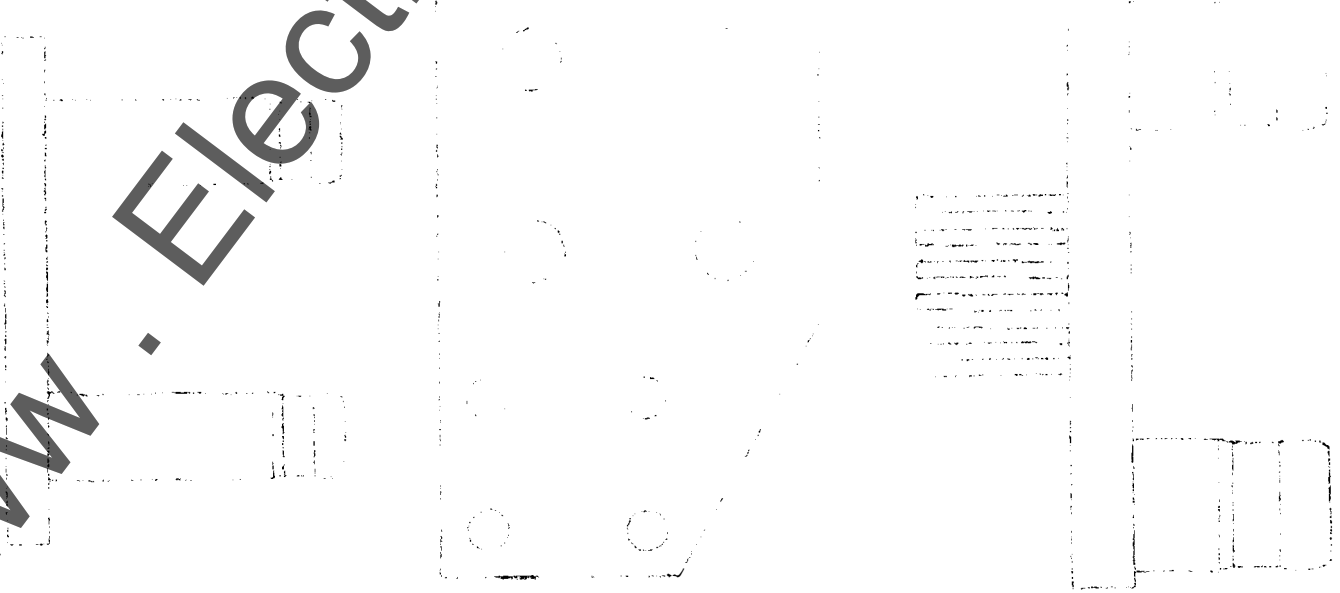
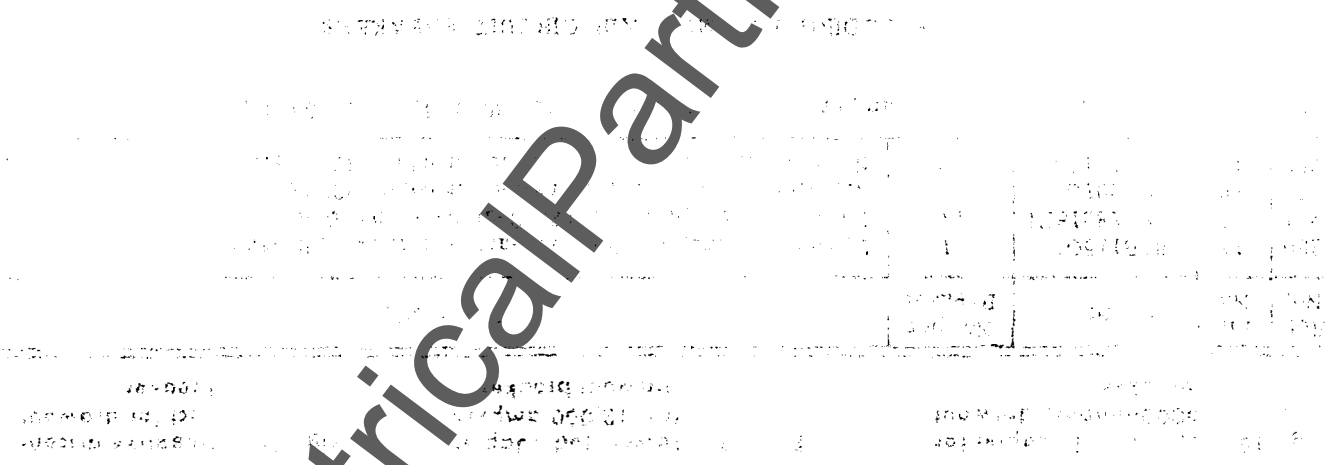
- (a) See Fig. 16 for adapter
 (b) See Fig. 17 for adapters
 13 1/2 in. with adapters

10	11	12	13	14	15	16	17	18	19	20	21	22
23	24	25	26	27	28	29	30	31	32	33	34	35
36	37	38	39	40	41	42	43	44	45	46	47	48
49	50	51	52	53	54	55	56	57	58	59	60	61
62	63	64	65	66	67	68	69	70	71	72	73	74
75	76	77	78	79	80	81	82	83	84	85	86	87
88	89	90	91	92	93	94	95	96	97	98	99	100

TYPE MC-9 AIR CIRCUIT BREAKERS

TYPE MC-9 AIR CIRCUIT BREAKERS

TYPE MC-9 AIR CIRCUIT BREAKERS



TYPE MC-9 AIR CIRCUIT BREAKERS

www.ElectricalPartManuals.com