

RENEWAL PARTS

TYPE SB-1 CONTROL SWITCHES

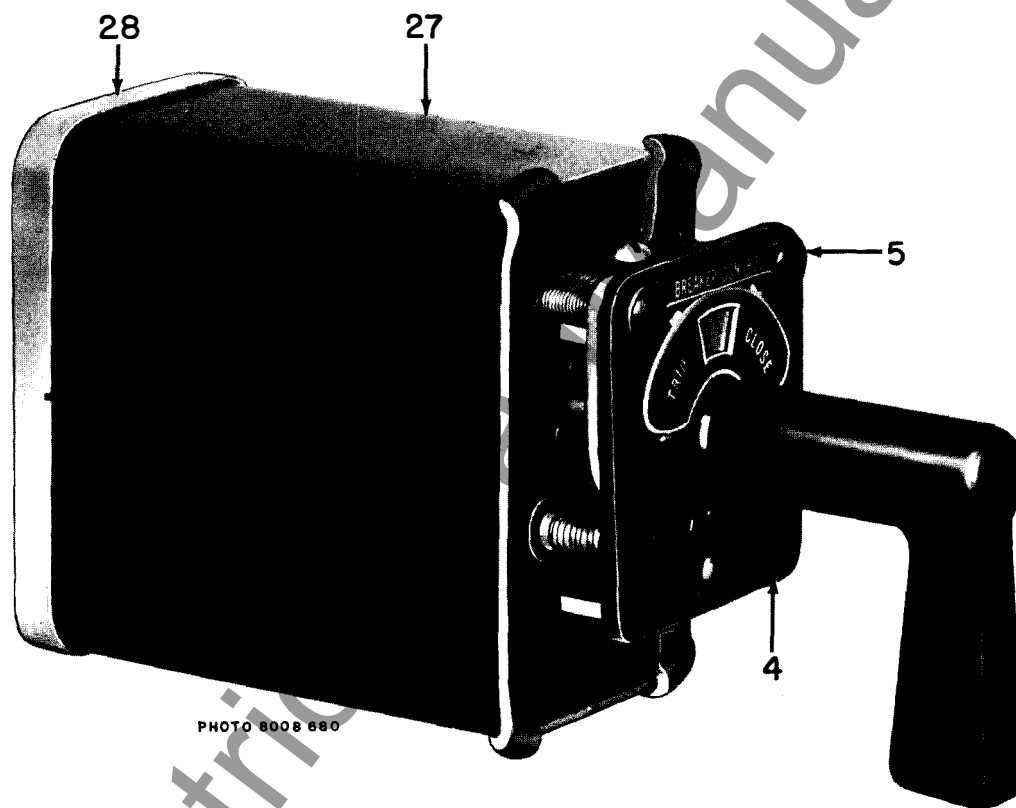


Fig. 1. Typical SB-1 circuit breaker control switch

ORDERING INSTRUCTIONS

1. Always specify the complete nameplate data of the switch.
2. Specify the quantity, catalog number (if listed), reference number (if listed), description, and this bulletin number.
3. Standard hardware, such as screws, bolts, nuts, washers, etc., is not listed in this bulletin. Such items should be purchased locally.
4. For prices, refer to the nearest office of the General Electric Company.

When ordering renewal parts, give quantity, catalog number, description of each item required, and complete nameplate reading.

GENERAL  ELECTRIC

TYPE SB-1 CONTROL SWITCHES

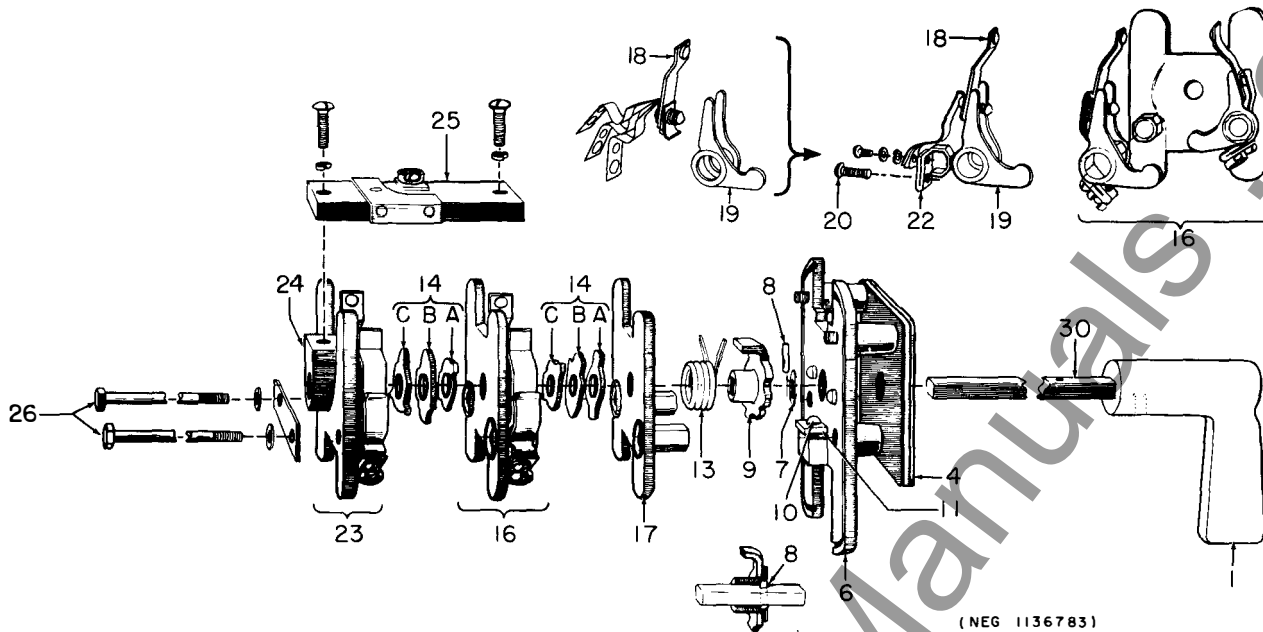


Fig. 2. Exploded view of typical 2-stage SB-1 switch (cover removed)

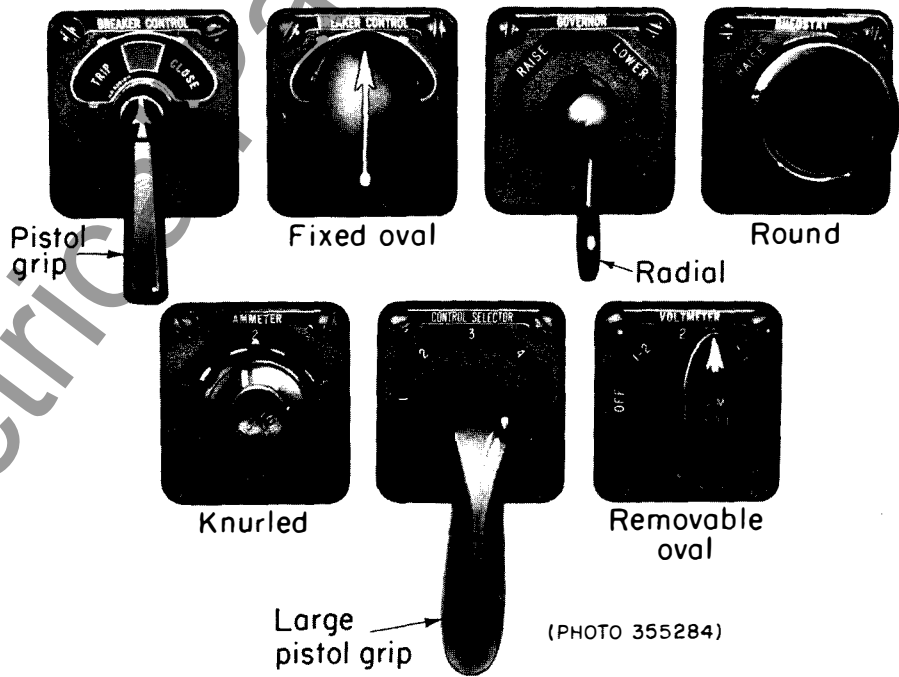


Fig. 3. Handles (Ref. No. 1) with typical escutcheons and circuit designation plates

TABLE A	
BLACK HANDLES FOR TYPE SB-1 CONTROL SWITCHES	
Description	Cat. No.
Pistol Grip	6046074P1
Fixed Oval	6046075P1
Radial	6047043P1
Round	6047044P1
Knurled	6079120P1
Large Pistol Grip	6208137P1
Removable Oval	Identified by Model No. of Switch

TYPE SB-1 CONTROL SWITCHES

GEF-2357F

Fig. No.	Ref. No.	Catalog No.	Description
2	1	See table A	Handle
§§	2	6047052	Saddle spring for pointer
§§	3	6047050	White pointer
1,2	4	§	Escutcheon (specify desired engraving)
1	5	6049905	Mounting screw (for 1/8 inch panel)
1	5	6047057	Mounting screw (for 1 inch panel)
1	5	6047056	Mounting screw (for 1 1/2 inch panel)
2	6	§	Front support
2	7	6149118	Spacer
2	8	6149029	Pin
2	9	§	Indent wheel (or spring stretcher)
2,7	10	346X12	Ball for indent wheel
2	11	6149255	Plate for indent wheel ball (specify whether for steel or die-cast front support)
6	*12	6006656	Compression spring for indent wheel ball
2,5	13	§	Torsion spring
2,4	14	¶	Cam
§§	15	6047055	Spacer (for use where cam is omitted)
2	16	6015928G1	Movable contacts and barrier (double contacts)
2	16	6015928G2	Movable contact and barrier (single contact on left hand side, front view)
2	16	6015928G3	Movable contact and barrier (single contact on right hand side, front view)
2	17	6007060P1	Barrier and contact support (front or intermediate stages)
2	*18	6305079G1	Movable contact with shunt
2	19	6446058	Support for movable contact
2	20	6047841	Washer head screw
2	22	6209848P1	Terminal
2	23	6210318G1	Movable contacts and barrier (double contacts)
2	23	6210318G2	Movable contact and barrier (single contact on left hand side, front view)
2	23	6210318G3	Movable contact and barrier (single contact on right hand side, front view)
2	24	6210313P1	Barrier and contact support (rear)
2	*18	6305079G1	Movable contact with shunt
2	19	6446058	Support for movable contact
2	20	6047841	Washer head screw
2	22	6209848P1	Terminal
2	*25	§	Fixed contacts and support assembly
2	26	§	Tie bolt
1	27	§	Side cover
1	28	§	End cover
§§	29	6047039	Screw for end cover
2	30	§	Shaft

* Recommended for normal maintenance.

§§ Not illustrated.

§ Give complete model number of switch.

¶ Specify part number molded on cam, the cam letter (A, B or C in fig. 2 of this bulletin), location (stage), and complete model number of the switch.



(PHOTO 8001177)

Fig. 4.
Typical
cam
(Ref. No. 14)



Fig. 5.
Typical torsion
spring
(Ref. No. 13)



Fig. 6.
Compression
spring for indent
wheel ball
(Ref. No. 12)



Fig. 7.
Ball for
indent wheel
(Ref. No. 10)

WHEN YOU NEED SERVICE

IF YOU NEED TO REPAIR, recondition, or rebuild any electric apparatus, a G-E service shop near you is available day and night, seven days a week, for work in the shops or on your premises. Latest factory methods and genuine G-E renewal parts are used to maintain the original performance of your G-E equipment. For full information about these services, contact the nearest service shop or sales office listed below:

APPARATUS SERVICE SHOPS

Allentown, Pa. 672-676 E. Highland St.
 Appleton, Wisc. Midway Industrial Area,
 County Trunk, "P"
 Atlanta—Chamblee, Ga. 4639 Peachtree
 Indus. Blvd.
 Baltimore 30, Md. 920 E. Fort Ave.
 Boston—Medford 55, Mass. Mystic Valley Pkwy.
 Buffalo 11, N. Y. 318 Urban St.
 Charleston 28, W. Va. 306 MacCorkle Ave., S.E.
 Charlotte, N. C. 2328 Thrift Road
 Chicago 32, Ill. 4360 W. 47th St.
 Cincinnati 2, Ohio 444 W. Third St.
 Cleveland 4, Ohio 4966 Woodland Ave.
 Columbus 23, Ohio 2128 Eakin Rd.
 Corpus Christi, Texas. 115 Busse St.
 Dallas 19, Texas 3202 Manor Way
 Davenport—Bettendorf, Ia. 1039 State St.
 Decatur, Ill. 2225 E. Logan St.
 Denver 5, Colo. 3353 Larimer St.
 Detroit 2, Mich. 5950 Third Ave.
 Houston 20, Texas. 5534 Harvey Wilson Drive
 Indianapolis 22, Ind. 1740 W. Vermont St.
 Johnstown, Pa. 841 Oak St.
 Kansas City, Mo. 3525 Gardner Ave.
 Los Angeles 1, Calif. 6900 Stanford Ave.
 Louisville, Ky. 2014 New Main St.
 Midland, Tex. 3404 Bankhead Hwy.
 Milwaukee 3, Wisc. 940 W. St. Paul Ave.
 Minneapolis 12, Minn. 2025 49th Ave., N.
 New Orleans, La. 2315 N. Robertson St.
 New York—N. Bergen, N. J. 6001 Tonnelle Ave.
 Oakland, Calif. 1525 Peralta St.
 Philadelphia 24, Pa. 1040 E. Erie Ave.
 Pittsburgh 6, Pa. 6519 Penn Ave.
 Portland 10, Oregon. 2727 N.W. 29th Ave.
 Richmond 24, Va. 1403 Ingram Ave.
 Roanoke, Va. 115 Albermarle St.
 Sacramento, Calif. 99 N. 17th St.
 St. Louis 10, Mo. 1115 East Road
 Salt Lake City 4, Utah. 301 S. Seventh West St.
 San Francisco 3, Calif. 1098 Harrison St.
 Seattle 4, Wash. 3422 First Ave., S.
 Southington, Conn. 53 Railroad Ave.
 Spokane 3, Wash. S. 155 Sherman St.
 Tampa 1, Fla. P.O. Box 1245,
 Naval Indus. Res. Shipyard
 Toledo 4, Ohio 1 So. St. Clair St.
 Wheeling, W. Va. 2050 National Rd.
 York, Pa. 54 N. Harrison St.
 Youngstown 5, Ohio 272 E. Indianola Ave.

APPARATUS SALES OFFICES

Abilene, Texas 442 Cedar St.
 Akron 8, Ohio 335 S. Main St.
 Albany 7, N. Y. 90 State St.
 Albuquerque, N. Mex. 323 Third St., S.W.
 Alexandria, La. 720 Murray St.
 Allentown, Pa. 1132 Hamilton St.
 Amarillo, Texas. Amarillo Bldg.
 Appleton, Wisc. 531 W. College Ave.
 Atlanta 3, Ga. 1860 Peachtree Rd., N.W.
 Augusta, Ga. Masonic Bldg.
 Augusta, Me. 152 State St.
 Baltimore 1, Md. 111 Park Ave.
 Bangor, Maine 77 Central St.
 Baton Rouge 6, La. 3170 Florida Blvd.
 Battle Creek, Mich. 25 W. Michigan Ave.
 Beaumont, Texas. 1385 Calder Ave.
 Billings, Mont. Rm. 816, 303 No. Broadway
 Binghamton, N. Y. 19 Chenango St.

Birmingham 3, Ala. 1804 Seventh Ave., N.
 Bismarck, N. Dak. 418 Rosser Ave.
 Bluefield, W. Va. 704 Bland St.
 Appalachian Bldg.
 Boise, Idaho 1524 Idaho St.
 Boston 1, Mass. 140 Federal St.
 Buffalo 3, N. Y. 535 Washington St.
 Butte, Mont. P.O. Box 836, 103 N. Wyoming St.
 Canton 2, Ohio 700 Tuscarawas St., W.
 Cedar Rapids, Iowa 210 Second St., S.E.
 Charleston 28, W. Va. 306 MacCorkle Ave., S.E.
 Charlotte 1, N. C. 112 S. Tryon St.
 Chattanooga 2, Tenn. 832 Georgia Ave.
 Chicago 80, Ill. P.O. Box 5970A, 840 S. Canal St.
 Cincinnati 2, Ohio 215 W. Third St.
 Cleveland 4, Ohio 4966 Woodland Ave.
 Columbia 1, S.C., P.O. Box 1434, 1420 Lady St.
 Columbus 15, Ohio 40 S. Third St.
 Corpus Christi, Texas. 205 N. Chaparral
 Dallas 2, Texas 1801 N. Lamar St.
 Davenport—Bettendorf, Ia. 1039 State St.
 Dayton 2, Ohio 11 W. Monument Bldg.
 Dayton 9, Ohio. Avia. & Def.,
 2600 Far Hills Ave.
 Denver 2, Colo. 650 Seventeenth St.
 Des Moines 9, Iowa 505 W. Fifth Ave.
 Detroit 2, Mich. 700 Antoinette St.
 Duluth 2, Minn. 14 W. Superior St.
 Elmira, N. Y. Main and Woodlawn Aves.
 El Paso, Texas 215 No. Stanton
 Erie, Pa. 1001 State St.
 Eugene, Ore. Cascade Bldg., 1170 Pearl St.
 Evansville 19, Ind. 123 N.W. Fourth St.
 Fairmont, W. Va. 310 Jacobs Bldg.,
 P.O. Box 1626
 Fergus Falls, Minn. 108 N. Court Ave. P.O. Box 197
 Flint 3, Mich. 653 S. Saginaw St.
 Fort Wayne 6, Ind. 3606 So. Calhoun St.
 Fort Worth 2, Tex. 408 W. Seventh St.
 Fort Worth, Tex. Avia. & Def.,
 6200 Camp Bowie Blvd.
 Fresno 1, Calif. 407 Patterson Bldg.
 Tulare and Fulton St.
 Grand Rapids 2, Mich. 425 Cherry St., SE
 Greensboro, N. C. 301 S. Elm St.
 Greenville, S. C. 108 W. Washington St.
 Gulfport, Miss. 207 Jo-Fran Bldg.
 Hagerstown, Md. Professional Arts Bldg.
 Hartford 5, Conn. 764 Asylum Ave.
 Houston 1, Texas 1312 Live Oak St.
 Indianapolis 4, Ind. 110 N. Illinois St.
 Jackson, Mich. 120 W. Michigan Ave.
 Jackson 1, Miss. 203 W. Capitol St.
 Jacksonville 2, Fla. 700 E. Union St.
 Jamestown, N. Y. P.O. Box 548, 2 Second St.
 Johnstown, Pa. 841 Oak St.
 Joplin, Mo. P.O. Box 948, 220½ W. Fourth St.
 Kalamazoo 3, Mich. 112 Parkway Ave.
 Kansas City 6, Mo. 106 W. Fourteenth St.
 Knoxville 16, Tenn. 1301 Hannah Ave.
 Lake Charles, La. 422 Seventh St.
 Lansing 8, Mich. 306 Michigan National Tower
 Lexington, Ky. First National Bank Bldg.
 Lincoln 8, Nebr. Sharpe Bldg., 206 S. 13th St.
 Little Rock, Ark. 103 W. Capitol Ave.
 Los Angeles 54, Calif. 212 N. Vignes St.
 Louisville 2, Ky. 455 S. Fourth St.
 Lubbock, Texas. 3302 Avenue "A"
 Macon, Ga. 682 Cherry St.
 Madison 3, Wisc. 16 N. Carroll St.
 Manchester, N. H. 875 Elm St.

Medford, Ore., P.O. Box 1349, 107 E. Main St.
 Memphis 3, Tenn. 8 N. Third St.
 Miami 32, Fla. 25 S.E. Second Ave.
 Midwest City, Okla. Avia. & Def.,
 207 Post Off. Bldg.
 Milwaukee 3, Wisc. 940 W. St. Paul Ave.
 Minneapolis 3, Minn. 12 S. Sixth St.
 Mobile 13, Ala. 54 St. Joseph St.
 Nashville 3, Tenn. 234 Third Ave., N.
 Newark 2, N. J. 744 Broad St.
 New Haven 6, Conn. 129 Church St.
 New Orleans 12, La. 837 Gravier St.
 New York 22, N. Y. 570 Lexington Ave.
 N. Y. International Airport, Jamaica 30, N. Y.
 Niagara Falls, N. Y. 253 Second St.
 Norfolk 10, Va. 229 W. Bute St.
 Oakland 12, Calif. 409 Thirteenth St.
 Oklahoma City 2, Okla. 119 N. Robinson St.
 Omaha 2, Nebr. 409 S. Seventeenth St.
 Pasco, Wash. 824 W. Lewis St.
 Peoria 2, Ill. 309 Jefferson Bldg.
 Philadelphia 2, Pa. 1405 Locust St.
 Phoenix, Ariz. P.O. Box 4037, 303 Luhrs Tower
 Pittsburgh 22, Pa. The Oliver Bldg., Mellon Sq.
 Portland 7, Ore. 920 S.W. Sixth Ave.
 Providence 3, R. I. Industrial Trust Bldg.
 Raleigh, N. C. Room 401, 16 W. Martin St.
 Reading, Pa. 31 N. Sixth St.
 Richmond 17, Va. 700 E. Franklin St.
 Riverside, Calif. 3570 Ninth St.
 Roanoke 16, Va. 920 S. Jefferson St.
 Rochester 4, N. Y. 89 E. Ave.
 Rockford, Ill. 110 S. First St.
 Rutland, Vt. 38½ Center St.
 Sacramento 14, Calif. 626 Forum Bldg.
 Saginaw, Mich. Second National Bank Bldg.
 St. Louis 1, Mo. 818 Olive St.
 Salt Lake City 9, Utah 200 S. Main St.
 San Antonio 5, Texas. 434 So. Main Ave.
 San Diego 1, Calif. 1240 Seventh Ave.
 San Francisco 6, Calif. 235 Montgomery St.
 San Jose 10, Calif. 460 Park Ave.
 Savannah, Ga. 4 E. Bryan St.
 Seattle 4, Wash. 710 Second Ave.
 Seattle 8, Wash. Avia. & Def., 220 Dawson St.
 Shreveport, La. 206 Beck Bldg.
 Sioux City 13, Iowa. 572 Orpheum Electric Bldg.
 South Bend 1, Ind. 112 W. Jefferson Blvd.
 Spokane 4, Wash. S. 162 Post St.
 Springfield, Ill. 607 E. Adams St.
 Springfield 3, Mass. 1387 Main St.
 Stockton, Calif. 11 So. San Joaquin St.
 Syracuse 6, N. Y. 3532 James St.
 Tacoma 1, Wash. 1202 Washington Bldg.
 Tampa 6, Fla. 1206 North A St.
 Toledo 4, Ohio 420 Madison Ave.
 Trenton 8, N. J. 214 E. Hanover St.
 Tucson, Ariz. P.O. Box 710, 650 N. Sixth Ave.
 Tulsa 3, Okla. 320 S. Boston Ave.
 Utica 2, N. Y. 258 Genesee St.
 Washington 5, D. C. 777-14th St., N.W.
 Waterloo, Iowa 206 W. 4th St.
 Wenatchee, Wash. 328 N. Wenatchee Ave.
 Wheeling, W. Va. 40 Fourteenth St.
 Wichita 2, Kan. 200 E. First St.
 Williamston, N. C. 115 E. Main St.
 Worcester 5, Mass. 288 Grove St.
 York, Pa. 56 N. Harrison St.
 Youngstown 5, Ohio 272 E. Indianola Ave.

Hawaii: American Factors, Ltd., P. O. Box 3230, Honolulu 1 Canada: Canadian General Electric Company, Ltd., Toronto

LOW VOLTAGE SWITCHGEAR DEPARTMENT, GENERAL ELECTRIC COMPANY, PHILADELPHIA, PA.

Handbook Reference 7153

RENEWAL PARTS

TYPE SB-1 CONTROL SWITCHES

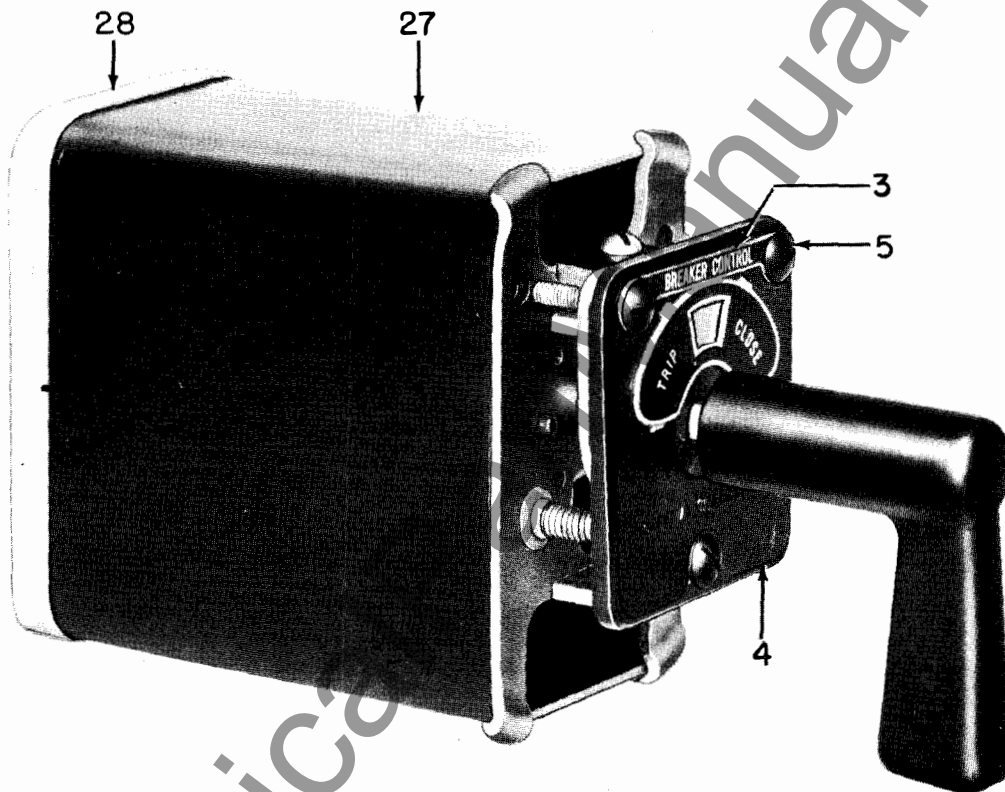


Fig. 1. Typical SB-1 circuit breaker control switch

ORDERING INSTRUCTIONS

1. Always specify the complete nameplate data of the switch.
2. Specify the quantity, catalog number (if listed), reference number (if listed), description, and this bulletin number.
3. Standard hardware, such as screws, bolts, nuts, washers, etc., is not listed in this bulletin. Such items should be purchased locally.
4. For prices, refer to the nearest office of the General Electric Company.

GENERAL  ELECTRIC

TYPE SB-1 CONTROL SWITCHES

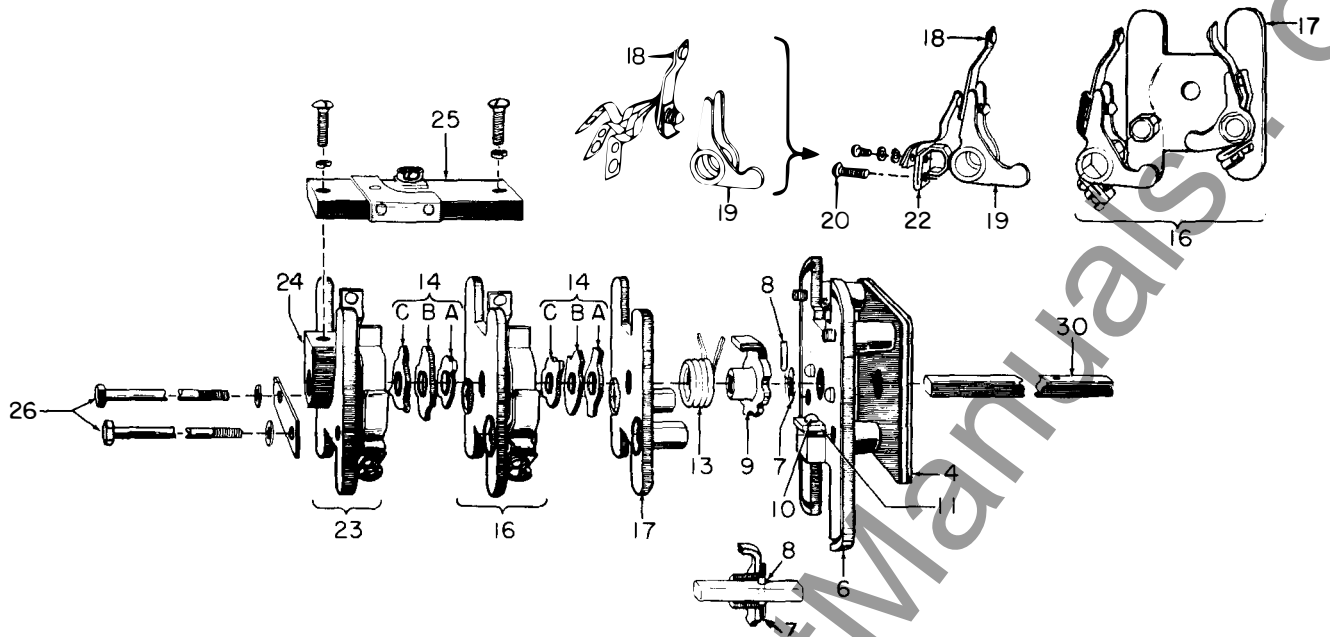
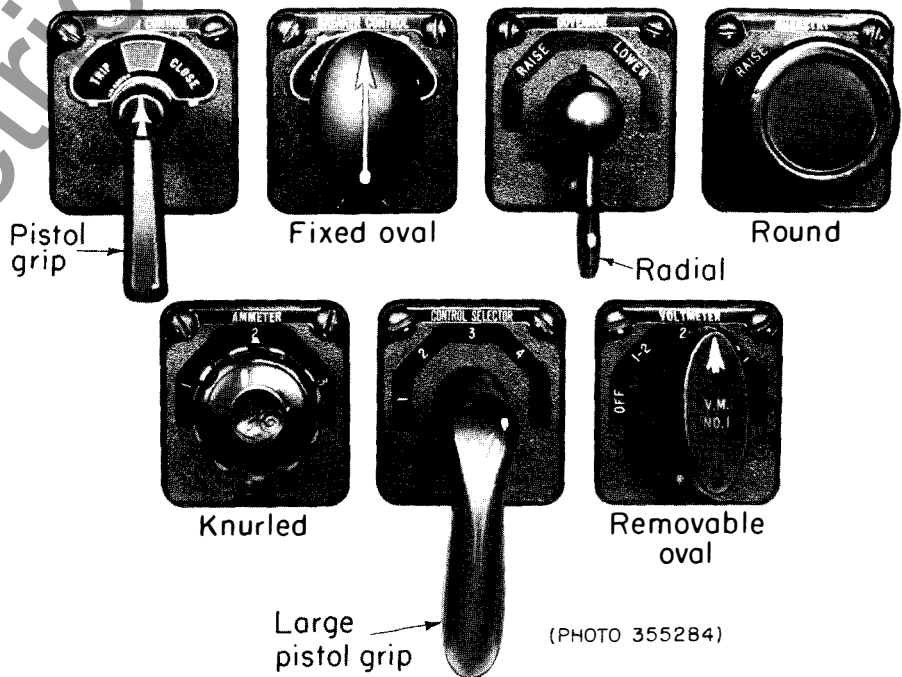


Fig. 2. Exploded view of typical 2-stage SB-1 switch (cover removed)

NOTE :- Illustration is composite, showing parts used both in "Spring Return" and in "Maintained Contact" (non-spring return) switches. Spring return switches ordinarily include one - or more - torsion springs but no detent parts. Maintained contact switches ordinarily include detent parts but no torsion springs. Rarely, a switch may combine the two actions (spring return on one side and maintained on the other - or spring return with indicated positions) and will then include both torsion spring and detent parts.

BLACK HANDLES FOR TYPE SB-1 CONTROL SWITCHES

Description	Cat. No.
Pistol Grip	6046074P1
Fixed Oval	6046075P1
Radial	6047043P1
Round	6047044P1
Knurled	6079120P1
Large Pistol Grip	6208137P1
Removable Oval	Identified by Model No. of Switch



(PHOTO 355284)

Fig. 3. Handles (Ref. No. 1) with typical escutcheons and circuit designation plates

TYPE SB-1 CONTROL SWITCHES

GEF-2357G

PRINCIPAL RENEWAL PARTS

Ref. No.	Catalog Number	Description
1	See table	Handle
†2A	6047050	White pointer for handle
†2B	6047052	Saddle spring for white pointer
3	‡	Circuit designation plate (specify legend)
4	‡	Escutcheon (specify engraving)
5A	6049905P1	Mounting screw (for 1/8 - 3/16 inch panel thickness)
5B	6049905P2	Mounting screw (for 1 inch panel thickness)
5C	6049905P3	Mounting screw (for 1 1/2 and 2 inch panel thickness)
6	‡	Front support
7	6149118	Shaft pin retainer (washer)
8	6149029	Shaft pin
9	‡	Indent wheel (or "Stop Wheel" or "Spring Stretcher")
10	346X12	Detent ball
11	6149255	Plate for detent ball
*12	6006656	Compression spring for detent ball
*13A	6009705	Torsion spring (standard, spring return from both sides)
*13B	6149144	Torsion spring (special, spring return from CW to normal only)
*13C	6149140	Torsion spring (special, spring return from CCW to normal only)
14	¶	Cam
†15	6015923P42	Spacer (in place of omitted cam)
16A	6015928G1	§Barrier assembly with two contacts
16B	6015928G2	§Barrier assembly with one contact (left)
16C	6015928G3	§Barrier assembly with one contact (right)
17	276B518P1	Barrier only (front or intermediate stages)
*18	6305079G1	§Moving contact with flexible shunt
19	6446058	Contact support
20	6047841P1	Washer-head connection screw
22	6209848P1	Terminal
23A	396A149G1	§Rear support assembly with two contacts
23B	396A149G2	§Rear support assembly with one contact (left)
23C	396A149G3	§Rear support assembly with one contact (right)
24	396A149G13	Rear support only
*18	6305079G1	§Moving contact with flexible shunt
19	6446058	Contact support
20	6047841P1	Washer-head connection screw
22	6209848P1	Terminal
*25	‡	Fixed contacts and support assembly (components not furnished separately)
26	‡	Tie bolt
27	‡	Side cover (compound sleeve)
28	‡	End cover (steel plate)
†29	6047039	Cover retaining screw
30	‡	Shaft

* Recommended for stock for normal maintenance.

† Not shown.

‡ Order by description. Switch model number must be specified.

§ Silver contacts. For palladium contacts, as used on temperature meter switches, order: "Same as catalog -----, except palladium contacts".

¶ Order by description, including full model number of switch and location of cam. (Normally, each stage of switch has three cams: "A" toward front, "B" in middle, "C" toward rear. If one contact is omitted, the corresponding closing cam is omitted also and is replaced by a spacer, Ref. No. 15.)



(PHOTO 8001177)

Fig. 4. Typical cam (Ref. No. 14)

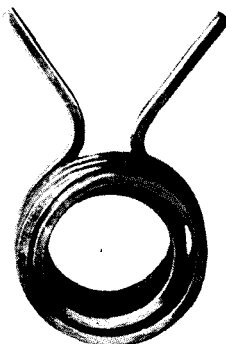


Fig. 5. Typical torsion



Fig. 6. Compression spring for detent ball (Ref. No. 12)



Fig. 7. Detent ball (Ref. No. 10)

**GENERAL ELECTRIC COMPANY
POWER SYSTEMS MANAGEMENT BUSINESS DEPT.
PHILADELPHIA, PA. 19142**

GENERAL  ELECTRIC