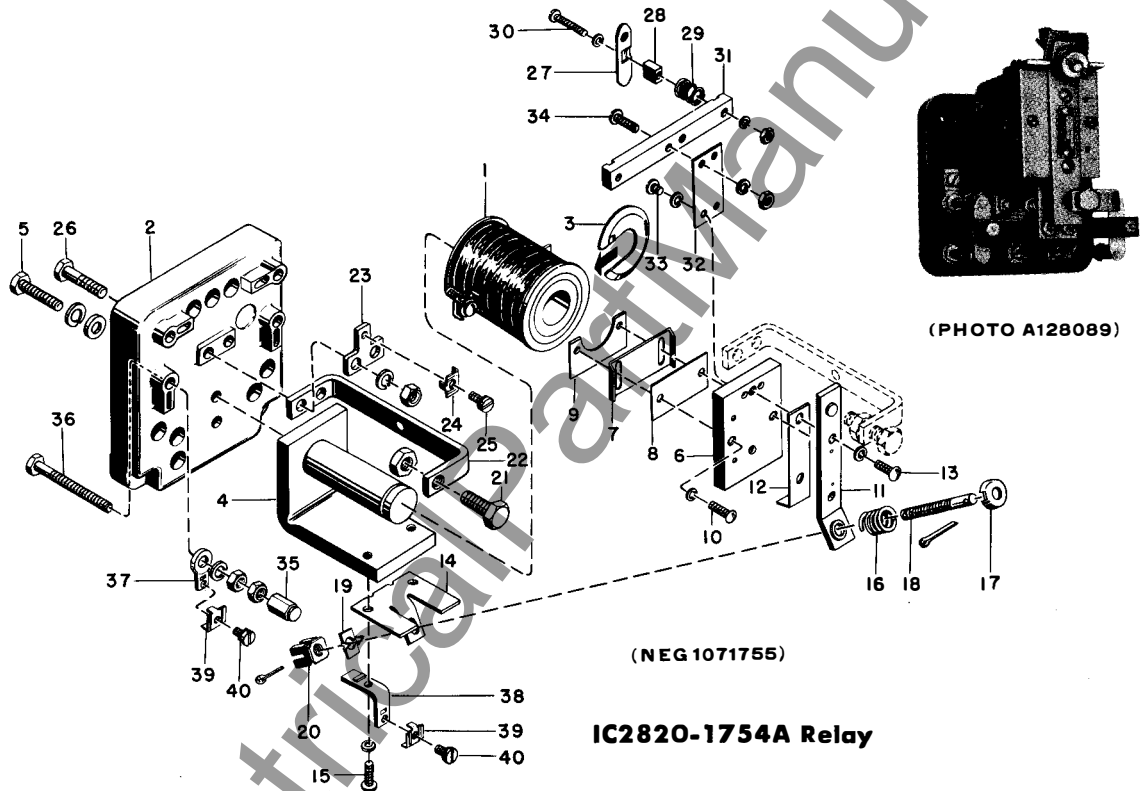


RENEWAL PARTS

IC2820-1754 RELAYS (also CR2820-1754)

Forms A, B, C, D, E, AA, AB, AC, AD, and AE

NOTE:—When ordering parts for a form of the relay not covered by this bulletin, give reference number, description of part, complete nameplate reading, and above bulletin (GEF) number. Do not use catalog number when form for which the parts are needed is not covered by the bulletin.



IC2820-1754A Relay

PARTS RECOMMENDED FOR NORMAL STOCK

Ref. No.	Number Required for IC2820-1754-										Cat. No.	Description
	A	B	C	D	E	AA	AB	AC	AD	AE		
1	1	1	1	1	1	1	1	1	1	1	-----	Operating coil (see table on page 2)
27	2	2	2	1	1	2	2	2	1	1	3667572G1	Movable contact plate with tips
35	4	2	-	2	-	4	2	-	2	-	3614137G1	Stationary contact block with tip
	-	2	4	-	2	-	2	4	-	2	3805671G2	Stationary contact plate with tip
29	2	2	2	1	1	2	2	2	1	1	5144450	Compression spring for movable contact plate
16	1	1	1	1	1	1	1	1	1	1	235184	Compression spring for armature

When ordering renewal parts, give quantity, catalog number, description of each item required, and complete nameplate reading.

IC2820-1754 RELAYS

Ref. No. 1 - OPERATING COILS - 1 Required

NOTE:- The last number in the IC designation is the operating coil number.

EXAMPLE:- IC2820-1754A2 Relay requires operating coil No. 2, Cat. No. 3245059.

For IC2820-1754A, B, and C

Coil No.	Cat. No.	Coil No.	Cat. No.	Coil No.	Cat. No.	Coil No.	Cat. No.
2	*3245059	7	*3248602	12	§22D13G3	17	§22D13G42
3	*3245060	8	*3248626	13	§22D13G42	18	§22D13G5
4	*3246873	9	*3323101	14	§22D13G8	19	§22D13G82
5	*3246884	10	§22D13G7	15	§22D13G5		
6	*3247657	11	§22D13G13	16	§22D13G63		

For IC2820-1754D, E, AA, AB, AC, AD, and AE

Coil No.	Cat. No.	Coil No.	Cat. No.	Coil No.	Cat. No.	Coil No.	Cat. No.
1	22D11G43	13	§22D13G5	25	§22D13G8	37	22D11G170
2	22D11G44	14	§22D13G38	26	§22D13G39	38	3241960
3	22D11G45	15	§22D13G3	27	§22D13G69	39	22D11G29
4	22D11G46	16	§22D13G33	28	§22D13G63	40	22D11G86
5	22D11G26	17	§22D13G4	29	22D11G69	41	22D11G61
6	22D11G47	18	§22D13G7	30	22D11G55	42	Δ3028187
7	22D11G25	19	§22D13G2	31	22D11G54	42	†2693247P15
8	22D11G48	20	§22D13G13	32	3021123	43	Δ3241257
9	22D11G49	21	22D11G168	33	22D11G96	43	†2693247P34
10	22D11G50	22	§22D13G7	34	22D11G100	44	2693247P1
11	§22D13G31	23	22D11G77	35	22D11G74	45	22D11G9
12	§22D13G32	24	22D11G136	36	§3241953	46	22D11G75

* Requires copper jacket Cat. No. 9092010.

§ Requires copper jacket Cat. No. 2494629.

Note:- Cat. No. of coil does not include copper jacket.

Δ Front coil.

† Back coil.

COMPLETE LIST OF PARTS

Ref. No.	Number Required for IC2820-1754-									Cat. No.	Description	
	A	B	C	D	E	AA	AB	AC	AD			AE
2	1	1	1	-	-	1	1	1	-	-	9350921P1	Base for relay
2	-	-	-	1	1	-	-	-	1	1	9350922P1	Base for relay
3	1	1	1	1	1	1	1	1	1	1	1445721	Retaining washer for operating coil
4	1	1	1	1	1	1	1	1	1	1	9397583G1	Magnet frame with core
5	1	1	1	1	1	1	1	1	1	1	N26P21016B	Screw fastening core to base (1/4 in. -20, 1 in. hex. hd. slot, pro. fin.)
6	1	1	1	1	1	1	1	1	1	1	9098152	Armature
7	1	1	1	1	1	1	1	1	1	1	9644941	Adjustable shim for armature
8	1	1	1	1	1	1	1	1	1	1	9098151	Stationary shim for armature
9	1	1	1	1	1	1	1	1	1	1	8058795	Clamp for shims
10	2	2	2	2	2	2	2	2	2	2	N75P15010B	Screw fastening shims and clamp to armature (8-32, 5/8 in. pan hd. pro. fin.)
11	1	1	1	1	1	1	1	1	1	1	9397584P1	Support for armature, with contact tip
12	1	1	1	1	1	1	1	1	1	1	2453389	Guide strip between armature and support
13	2	2	2	2	2	2	2	2	2	2	N144P16008C	Screw with lock washer fastening support and guide strip to armature
14	1	1	1	1	1	1	1	1	1	1	1459968	Bracket for armature support
15	2	2	2	2	2	2	2	2	2	2	N144P16008C	Screw with lock washer fastening bracket to magnet frame
16	1	1	1	1	1	1	1	1	1	1	235184	Compression spring for armature
17	1	1	1	1	1	1	1	1	1	1	437972P1	Spring seat for compression spring
18	1	1	1	1	1	1	1	1	1	1	2429336	Adjusting stud for compression spring
19	1	1	1	1	1	1	1	1	1	1	6955638	Support for adjusting stud

IC2820-1754 RELAYS

GEF-4030B

COMPLETE LIST OF PARTS (CON'TD)

Ref. No.	Number Required for IC2820-1754-										Cat. No.	Description
	A	B	C	D	E	AA	AB	AC	AD	AE		
20	1	1	1	1	1	1	1	1	1	1	9196760	Nut for adjusting stud
21	1	1	1	1	1	1	1	1	1	1	2840219G1	Contact screw with tip
22	1	1	1	1	1	1	1	1	1	1	2450534	Support for contact screw
23	1	1	1	-	-	1	1	1	-	-	9092945	Terminal plate for support
	-	-	-	1	1	-	-	-	1	1	9098153	Terminal for support
24	1	1	1	1	1	1	1	1	1	1	8057818	Terminal clamp
25	1	1	1	1	1	1	1	1	1	1	N144P16006C	Screw with lock washer fastening clamp to plate
26	2	2	2	-	-	2	2	2	-	-	N26P21020B	Screw fastening support and terminal plate to base (1/4 in. -20, 1 1/4 in. hex. hd. slot, pro. fin.)
	-	-	-	2	2	-	-	-	2	2	N26P21016B	Screw fastening support Cat. 2450534 to base (1/4 in. -20, 1 in. hex. hd. slot, pro. fin.)
27	2	2	2	1	1	2	2	2	1	1	3667572G1	Movable contact plate with tips
28	2	2	2	1	1	2	2	2	1	1	2461808	Spacer for movable contact plate
29	2	2	2	1	1	2	2	2	1	1	5144450	Compression spring for movable contact plate
30	2	2	2	1	1	2	2	2	1	1	N57P13016B	Retaining screw for contact plate (6-32, 1 in. pan hd. pro. fin.)
31	1	1	1	-	-	1	1	1	-	-	9092943	Insulation bar for contact plates
31	-	-	-	1	1	-	-	-	1	1	9098150	Insulation bar for contact plate
32	1	1	1	-	-	1	1	1	-	-	1474077	Support for insulation bar
32	-	-	-	1	1	-	-	-	1	1	9092948	Support for insulation bar
33	2	2	2	2	2	2	2	2	2	2	N144P15006C	Screw with lock washer fastening support to armature
34	2	2	2	2	2	2	2	2	2	2	N57P15010B	Screw fastening insulation bar to support (8-32, 5/8 in. pan hd. pro. fin.)
35	4	2	-	2	-	4	2	-	2	-	3614137G1	Stationary contact block with tip
	-	2	4	-	2	-	2	4	-	2	3805671G2	Stationary contact plate with tip
36	4	4	4	2	2	4	4	4	2	2	9092946	Connection stud for stationary contact block or plate
37	4	4	4	2	2	4	4	4	2	2	9092944	Terminal plate for connection stud
38	1	1	1	1	1	1	1	1	1	1	9092947	Terminal plate for magnet frame
39	5	5	5	3	3	5	5	5	3	3	8057818	Terminal clamp
40	5	5	5	3	3	5	5	5	3	3	N144P16006C	Screw with lock washer fastening clamp to plate

NUTS

Cat. No.	Description
N203P21B	1/4 in. -20, hex. std.
N203P23B	5/16 in. -18, hex. std.

NUT WITH LOCK WASHER

Cat. No.	Description
N238P13C	6-32, hex.
N238P15C	8-32, hex.
N238P21C	1/4 in. -20, hex.

LOCK WASHERS

Cat. No.	Description
N405P38B	For No. 8 screw
N405P41B	For 1/4 in. screw

PLAIN WASHERS

Cat. No.	Description
N402P37B	For No. 6 screw
N402P41B	For 1/4 in. screw

COTTER PIN

Cat. No.	Description
N503P708B	5/32 in. by 1/2 in.

WHEN YOU NEED SERVICE

IF YOU NEED TO REPAIR, recondition, or rebuild any electric apparatus, a G-E service shop near you is available day and night, seven days a week, for work in the shops or on your premises. Latest factory methods and genuine G-E renewal parts are used to maintain the original performance of your G-E equipment. For full information about these services, contact the nearest service shop or sales office listed below:

APPARATUS SERVICE SHOPS

Allentown, Pa. 668 E. Highland St.
 Appleton, Wisc. Midway Industrial Area,
 County Trunk, "P" P.O. Box 83
 Atlanta—Chamblee, Ga. 4639 Peachtree
 Indus. Blvd.
 Baltimore 30, Md. 920 E. Fort Ave.
 Boston—Medford 55, Mass. Mystic Valley Pkwy.
 Buffalo 11, N. Y. 318 Urban St.
 Charleston 28, W. Va. 306 MacCorkle Ave., S.E.
 Charlotte, N. C. 2328 Thrift Road
 Chicago 32, Ill. 4360 W. 47th St.
 Cincinnati 2, Ohio 444 W. Third St.
 Cleveland 4, Ohio 4966 Woodland Ave.
 Columbus 23, Ohio 2128 Eakin Rd.
 Corpus Christi, Texas 115 Busse St.
 Dallas 19, Texas 3202 Manor Way
 Davenport—Bettendorf, Ia. 1039 State St.
 Decatur, Ill. 2225 E. Logan St.
 Denver 5, Colo. 3353 Larimer St.
 Detroit 2, Mich. 5950 Third Ave.
 Houston 20, Texas 5534 Harvey Wilson Drive
 Indianapolis 22, Ind. 1740 W. Vermont St.
 Johnstown, Pa. 841 Oak St.
 Kansas City 20, Mo. 3525 Gardner Ave.
 Los Angeles 1, Calif. 6900 Stanford Ave.
 Louisville, Ky. 2014 New Main St.
 Midland, Tex. 3404 Bankhead Hwy.
 Milwaukee 3, Wisc. 940 W. St. Paul Ave.
 Minneapolis 12, Minn. 2025 49th Ave., N.
 New Orleans, La. 2815 N. Robertson St.
 New York—N. Bergen, N. J. 6001 Tonnelle Ave.
 Oakland, Calif. 1525 Peralta St.
 Philadelphia 24, Pa. 1040 E. Erie Ave.
 Pittsburgh 6, Pa. 6519 Penn Ave.
 Portland 10, Oregon 2727 N.W. 29th Ave.
 Richmond 24, Va. 1403 Ingram Ave.
 Roanoke, Va. 115 Albermarle St.
 Sacramento, Calif. 99 N. 17th St.
 St. Louis 10, Mo. 1115 East Road
 Salt Lake City 4, Utah. 301 S. Seventh West St.
 San Francisco 3, Calif. 1098 Harrison St.
 Seattle 4, Wash. 3422 First Ave., S.
 Southington, Conn. 53 Railroad Ave.
 Spokane 3, Wash. S. 155 Sherman St.
 Tampa 1, Fla. P. O. Box 1245,
 Naval Indus. Res. Shipyard
 Toledo 4, Ohio 1 So. St. Clair St.
 Wheeling, W. Va. 2050 National Rd.
 York, Pa. 54 N. Harrison St.
 Youngstown 7, Ohio 272 E. Indianola Ave.

APPARATUS SALES OFFICES

Abilene, Texas. 442 Cedar St.
 Akron 8, Ohio 335 S. Main St.
 Albany 7, N. Y. 90 State St.
 Albuquerque, N. Mex. 323 Third St., S.W.
 Alexandria, La. 720 Murray St.
 Allentown, Pa. 1132 Hamilton St.
 Amarillo, Texas. Amarillo Bldg.
 Appleton, Wisc. 531 W. College Ave.
 Atlanta 3, Ga. P.O. Box 4659
 1860 Peachtree Rd., N.W.
 Augusta, Ga. Masonic Bldg.
 Augusta, Me. 152 State St.
 Baltimore 1, Md. 111 Park Ave.
 Bangor, Maine. P.O. Box 778, 77 Central St.
 Baton Rouge 6, La. 3170 Florida Blvd.
 Battle Creek, Mich. 25 W. Michigan Ave.
 Beaumont, Texas P.O. Box 2870
 1385 Calder Ave.
 Billings, Mont. Rm. 816, 303 No. Broadway
 Binghamton, N. Y. P.O. Box 931
 19 Chenango St.
 Birmingham 3, Ala. P.O. Box 2602
 1804 Seventh Ave., N.
 Bismarck, N. Dak. 418 Rosser Ave.
 Bluefield, W. Va. P.O. Box 447, 704 Bland St.
 Appalachian Bldg.
 Boise, Idaho 1524 Idaho St.

Boston 1, Mass. 140 Federal St.
 Buffalo 3, N. Y. 535 Washington St.
 Butte, Mont. P.O. Box 836, 103 N. Wyoming St.
 Canton 2, Ohio 700 Tuscarawas St., W.
 Cedar Rapids, Iowa 210 Second St., S.E.
 Charleston 28, W. Va. P.O. Box 2313
 306 MacCorkle Ave., S.E.
 Charlotte 1, N. C. P.O. Box 1969
 112 S. Tryon St.
 Chattanooga 2, Tenn. 832 Georgia Ave.
 Chicago 80, Ill. P.O. Box 5970A, 840 S. Canal St.
 Cincinnati 2, Ohio 215 W. Third St.
 Cleveland 4, Ohio 4966 Woodland Ave.
 Columbia 1, S. C. P.O. Box 1434, 1420 Lady St.
 Columbus 15, Ohio 40 S. Third St.
 Corpus Christi, Texas 205 N. Chaparral
 Dallas 2, Texas 1801 N. Lamar St.
 Davenport—Bettendorf, Ia. P.O. Box 630
 1039 State St.
 Dayton 2, Ohio 11 W. Monument Bldg.
 Dayton 9, Ohio Avia. & Def.,
 2600 Far Hills Ave.
 Denver 2, Colo. P.O. Box 2331
 650 Seventeenth St.
 Des Moines 9, Iowa 505 W. Fifth Ave.
 Detroit 2, Mich. 700 Antoinette St.
 Duluth 2, Minn. 14 W. Superior St.
 Elmira, N. Y. P.O. Box 971
 Main and Woodlawn Aves.
 El Paso, Texas 215 No. Stanton
 Erie, Pa. 1001 State St.
 Eugene, Ore. 1170 Pearl St.
 Evansville 19, Ind. P.O. Box 157
 123 N.W. Fourth St.
 Fairmont, W. Va. P.O. Box 1626
 310 Jacobs Bldg.
 Fergus Falls, Minn. P.O. Box 197
 108 N. Court Ave.
 Flint 3, Mich. 653 S. Saginaw St.
 Fort Wayne 6, Ind. 3606 So. Calhoun St.
 Fort Worth 2, Tex. 408 W. Seventh St.
 Fort Worth, Tex. P.O. Box 9218, Avia. & Def.,
 6200 Camp Bowie Blvd.
 Fresno 1, Calif. 407 Patterson Bldg.
 Tulare and Fulton St.
 Grand Rapids 2, Mich. 425 Cherry St., S.E.
 Greensboro, N. C. P.O. Box 1162
 301 S. Elm St.
 Greenville, S. C. P.O. Box 1408
 108 W. Washington St.
 Gulfport, Miss. 207 Jo-Fran Bldg.
 Hagerstown, Md. P.O. Box 477
 Professional Arts Bldg
 Hartford 5, Conn. 764 Asylum Ave.
 Houston 1, Texas. 1312 Live Oak St.
 Indianapolis 4, Ind. 110 N. Illinois St.
 Jackson, Mich. 120 W. Michigan Ave.
 Jackson 1, Miss. 203 W. Capitol St.
 Jacksonville 2, Fla. Station G—Box 48
 700 E. Union St.
 Jamestown, N. Y. P.O. Box 548, 2 Second St.
 Johnstown, Pa. 841 Oak St.
 Joplin, Mo. P.O. Box 948, 220 1/2 W. Fourth St.
 Kalamazoo 3, Mich. P.O. Box 447
 114 Parkway Ave.
 Kansas City 6, Mo. 106 W. Fourteenth St.
 Knoxville 16, Tenn. 1301 Hannah Ave.
 Lake Charles, La. P.O. Box 5212
 422 Seventh St.
 Lansing 8, Mich. 306 Michigan National Tower
 Lexington, Ky. First National Bank Bldg.
 Lincoln 8, Nebr. Sharpe Bldg., 206 S. 13th St.
 Little Rock, Ark. 103 W. Capitol Ave.
 Los Angeles 54, Calif. 212 N. Vignes St.
 Louisville 2, Ky. 455 S. Fourth St.
 Lubbock, Texas P.O. Box 1464
 3302 Avenue "A"
 Macon, Ga. P.O. Box 1506, 682 Cherry St.
 Madison 3, Wisc. 16 N. Carroll St.
 Manchester, N. H. 875 Elm St.
 Medford, Ore. P.O. Box 1349, 107 E. Main St.

Memphis 3, Tenn. 8 N. Third St.
 Miami 32, Fla. P.O. Box 5062
 25 S.E. Second Ave.
 Midwest City, Okla. P.O. Box 5867
 Avia. & Def., 207 Post Off. Bldg.
 Milwaukee 3, Wisc. 940 W. St. Paul Ave.
 Minneapolis 3, Minn. 12 S. Sixth St.
 Mobile 13, Ala. P.O. Box 973, 54 St. Joseph St.
 Nashville 3, Tenn. 234 Third Ave., N.
 Newark 2, N. J. 744 Broad St.
 New Haven 6, Conn. 129 Church St.
 New Orleans 12, La. 837 Gravier St.
 New York 22, N. Y. 570 Lexington Ave.
 New York Avia. & Def., Fed. Bldg.,
 International Airport, Jamaica 30, N. Y.
 Niagara Falls, N. Y. 253 Second St.
 Norfolk 10, Va. 229 W. Bute St.
 Oakland 12, Calif. P.O. Box 1106
 409 Thirteenth St.
 Oklahoma City 2, Okla. 119 N. Robinson St.
 Omaha 2, Nebr. 409 S. Seventeenth St.
 Pasco, Wash. P.O. Box 971, 824 W. Lewis St.
 Peoria 2, Ill. 309 Jefferson Bldg.
 Philadelphia 2, Pa. 3 Penn Center Plaza
 Phoenix, Ariz. P.O. Box 4037, 303 Luhrs Tower
 Pittsburgh 22, Pa. The Oliver Bldg., Mellon Sq.
 Portland 7, Ore. P.O. Box 909
 920 S.W. Sixth Ave.
 Providence 3, R. I. Industrial Trust Bldg.
 Raleigh, N. C. P.O. Box 2507
 16 W. Martin St.
 Reading, Pa. 31 N. Sixth St.
 Richmond 17, Va. P.O. Box 2188
 700 E. Franklin St.
 Riverside, Calif. 3570 Ninth St.
 Roanoke 16, Va. P.O. Box 871
 920 S. Jefferson St.
 Rochester 4, N. Y. 89 E. Ave.
 Rockford, Ill. 110 S. First St.
 Rutland, Vt. 38 1/2 Center St.
 Sacramento 14, Calif. 626 Forum Bldg.
 Saginaw, Mich. Second National Bank Bldg.
 St. Louis 1, Mo. 818 Olive St.
 Salt Lake City 10, Utah. P.O. Box 779
 200 S. Main St.
 San Antonio 5, Texas. 434 So. Main Ave.
 San Diego 1, Calif. P.O. Box 1222
 1240 Seventh Ave.
 San Francisco 6, Calif. 235 Montgomery St.
 San Jose 10, Calif. 460 Park Ave.
 Savannah, Ga. P.O. Box 682, 4 E. Bryan St.
 Seattle 4, Wash. P.O. Box 1858
 710 Second Ave.
 Seattle 8, Wash. Avia. & Def., 220 Dawson St.
 Shreveport, La. 206 Beck Bldg.
 Sioux City 13, Iowa. 572 Orpheum Electric Bldg.
 South Bend 1, Ind. 112 W. Jefferson Blvd.
 Spokane 4, Wash. S. 162 Post St.
 Springfield, Ill. 607 E. Adams St.
 Springfield 3, Mass. 1387 Main St.
 Stockton, Calif. 11 So. San Joaquin St.
 Syracuse 6, N. Y. P.O. Box 1021
 3532 James St.
 Tacoma 1, Wash. P.O. Box 1485
 1202 Washington Bldg.
 Tampa 6, Fla. P.O. Box 3092, 1206 North A St.
 Toledo 4, Ohio 420 Madison Ave.
 Trenton 8, N. J. 214 E. Hanover St.
 Tucson, Ariz. P.O. Box 710, 650 N. Sixth Ave.
 Tulsa 3, Okla. 320 S. Boston Ave.
 Utica 2, N. Y. 258 Genesee St.
 Washington 5, D. C. 777-14th St., N.W.
 Waterloo, Iowa 206 W. 4th St.
 Wenatchee, Wash. P.O. Box 676
 328 N. Wenatchee Ave.
 Wheeling, W. Va. 40 Fourteenth St.
 Wichita 2, Kan. 200 E. First St.
 Williamston, N. C. P.O. Box 748, 115 E. Main St.
 Worcester 5, Mass. 288 Grove St.
 York, Pa. 56 N. Harrison St.
 Youngstown 5, Ohio. 272 E. Indianola Ave.

Hawaii: American Factors, Ltd., P. O. Box 3230, Honolulu 1 Canada: Canadian General Electric Company, Ltd., Toronto

INDUSTRY CONTROL DEPARTMENT, GENERAL ELECTRIC COMPANY, ROANOKE, VA.