

Wire Connectors

Terminales para conexión de cable
Bornes pour raccordement de cable

For Use With Frame EG
Para Usar Con Caja Base EG

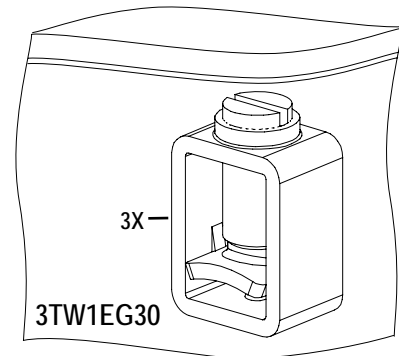
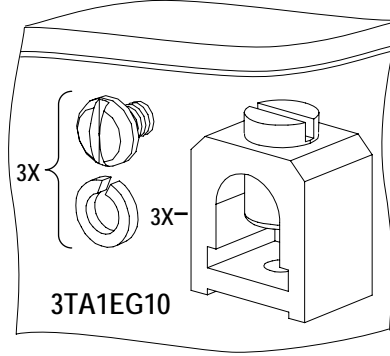
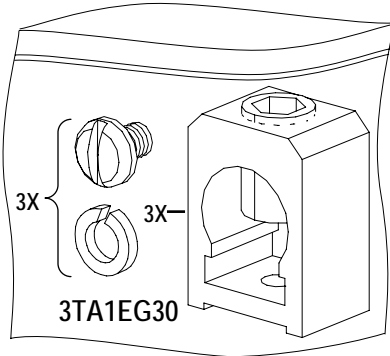
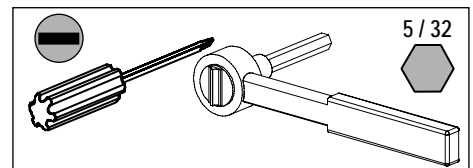
Installation Instructions / Instructivo de Instalación

	⚠ Danger	⚠ Peligro	⚠ Danger
	Hazardous Voltage. Will cause death or serious injury.	Tensión peligrosa. Puede causar la muerte o lesiones graves.	Tension dangereuse. Danger de mort ou risque de blessures graves.
	Turn off and lock out all power supplying this device before working on this device. Replace all covers before power supplying this device is turned on.	Desenergice totalmente antes de instalar o darle servicio. Reemplace todas las barreras y cubiertas antes de energizar el interruptor.	Couper l'alimentation de l'appareil et barrer avant de travailler. Remplacez tous les couverts avant que l'alprovisionnement de pouvoir soit alimenté.

Use only with Siemens certified components.

Utilizar únicamente con componentes certificados de Siemens.

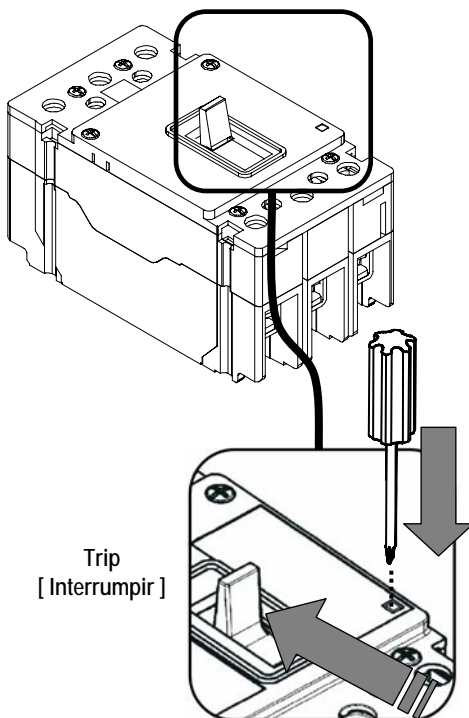
A utiliser uniquement avec les composants certifiés Siemens.



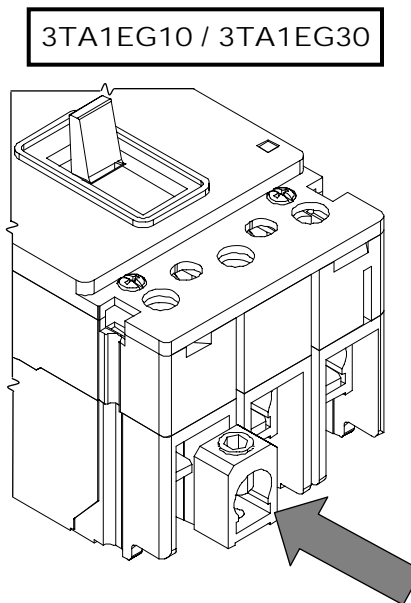
1

Disconnect Voltage. Trip breaker.

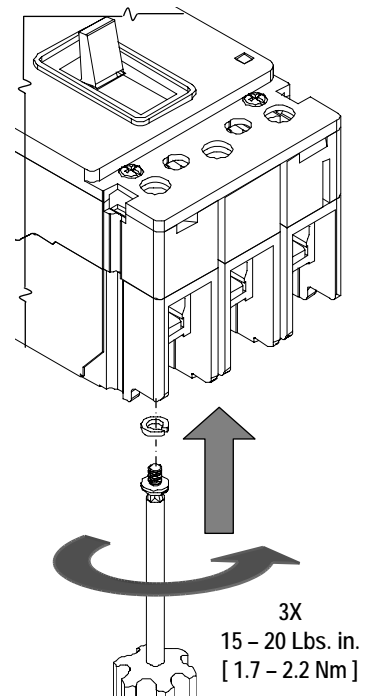
[Desconecte El Voltaje. Dispare El Triturador.]



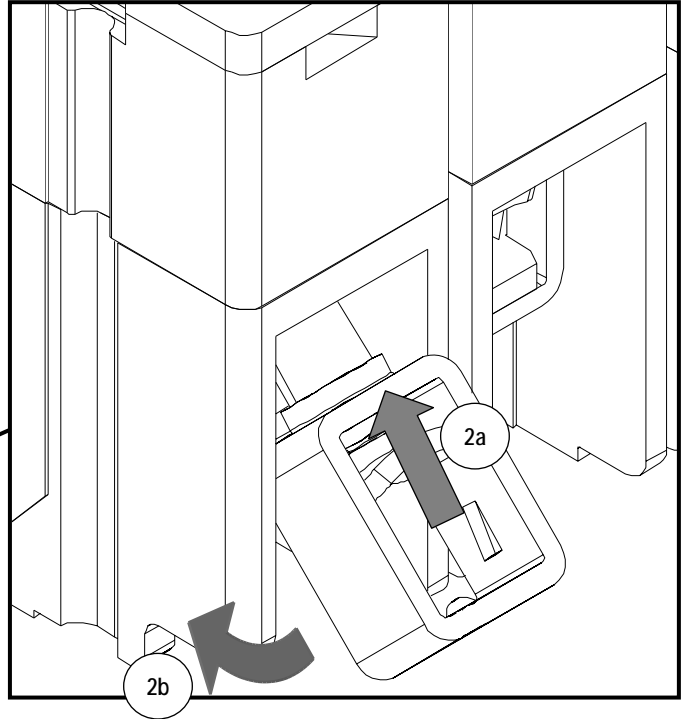
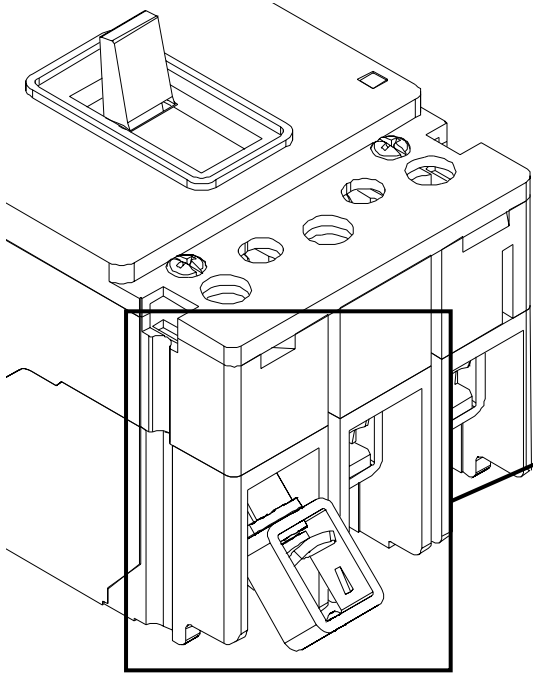
2



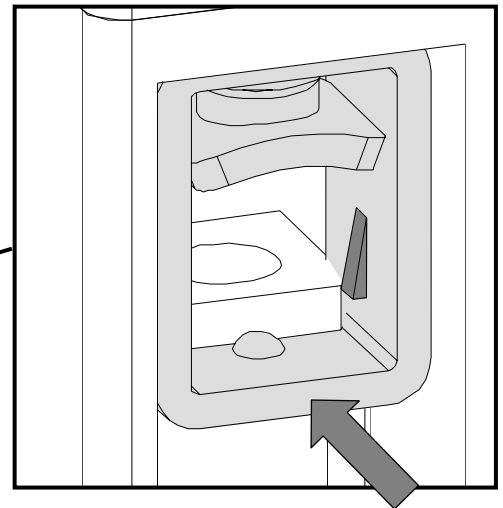
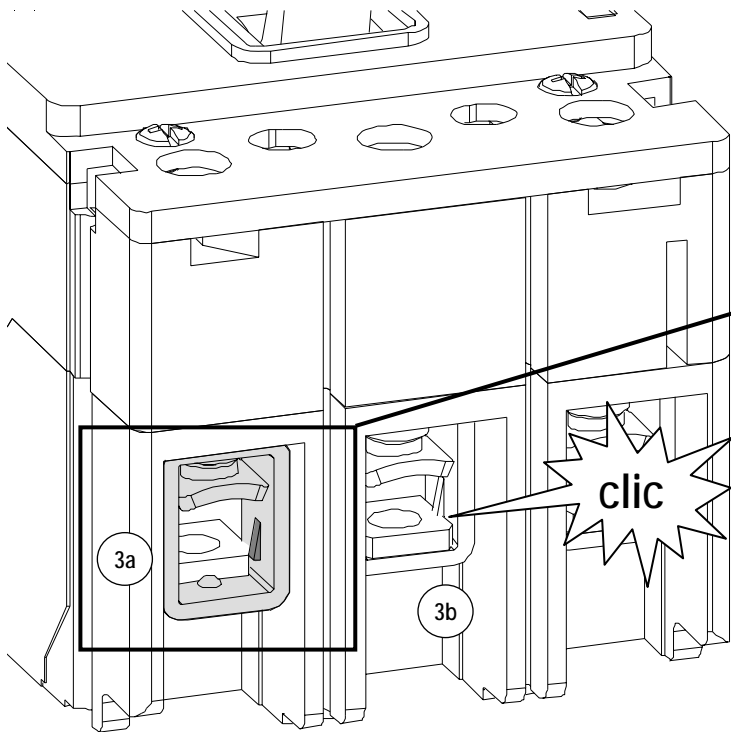
3



2 3TW1EG30



3





Danger

Hazardous Voltage.
Will cause death or serious injury.

Turn off and lock out all power supplying this device before working on this device.
Replace all covers before power supplying this device is turned on.



Peligro

Tensión peligrosa.
Puede causar la muerte o lesiones graves.

Desenergice totalmente antes de instalar o darle servicio.
Reemplace todas las barreras y cubiertas antes de energizar el interruptor.

Danger

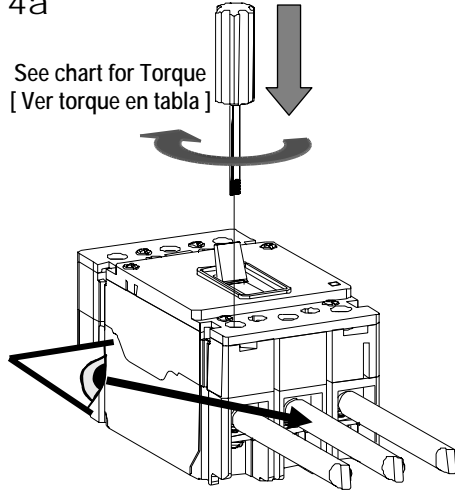
Tension dangereuse.
Danger de mort ou risque de blessures graves.

Couper l'alimentation de l'appareil et barrer avant de travailler.
Remplacez tous les couverts avant que l'approvisionnement de pouvoir soit alimenté.

3TA1EG10 / 3TA1EG30 / 3TW1EG30

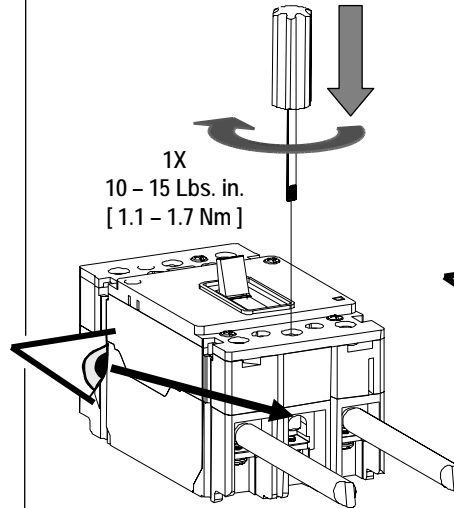
4a

See chart for Torque
[Ver torque en tabla]

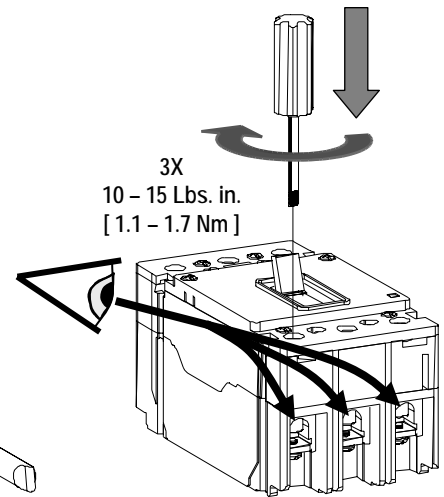


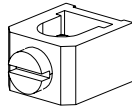
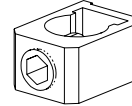
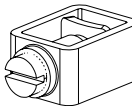

4b

Torque Lugs without cables
[Para bornes sin cables]



Torque Lugs without cables
[Para bornes sin cables]



Wire Connector [Conexión del cable]	Wire Size [Rango Cable]	Req. Wire Stranding [Hebras] UL 486A - 486B		Torque [esfuerzo de torsión]	Wire Strip Length [Quitar]
		CU / AL Class B	CU Class C	Torque Lugs with cables [Para bornes sin cables]	
 3TA1EG10 (Cu / Al)	14 - 10 AWG [2.5 - 6 mm ²]	7	19	35 Lb. in. [4.0 Nm]	.5" [13mm]
	8 AWG [10 mm ²]			40 Lb. in. [4.5 Nm]	
	6 - 4 AWG [16 - 25 mm ²]			45 Lb. in. [5.1 Nm]	
	3 - 2 AWG [35 mm ²]			50 Lb. in. [5.6 Nm]	
	1 - 1 / 0 AWG [50 mm ²]	19	37	50 Lb. in. [5.6 Nm]	
 3TA1EG30 (Cu / Al)	6 - 2 AWG [16 - 35 mm ²]	7	19	80 Lb. in. [9.0 Nm]	.5" [13mm]
	1 - 3 / 0 AWG [50 - 95 mm ²]	19	37		
 3TW1EG30 (Cu Only)	14 - 10 AWG [2.5 - 6 mm ²]		19	35 Lb. in. [4.0 Nm]	.5" [13mm]
	8 AWG [10 mm ²]			40 Lb. in. [4.5 Nm]	
	6 - 4 AWG [16 - 25 mm ²]			45 Lb. in. [5.1 Nm]	
	3 - 2 AWG [35 mm ²]			50 Lb. in. [5.6 Nm]	
	1 - 3 / 0 AWG [50 - 95 mm ²]		37	50 Lb. in. [5.6 Nm]	

Technical Support:

Toll Free: 1-800-964-4114

Internet: www.sea.siemens.com

Subject to change without prior notice
Siemens Energy & Automation Inc. , Alpharetta, GA U.S.A.