

Instructions and Renewal Parts Data for Type EZC Minalite® Indicating Lights



Instructions and
Renewal Parts Data
34-350-1

BULB - S#1124156

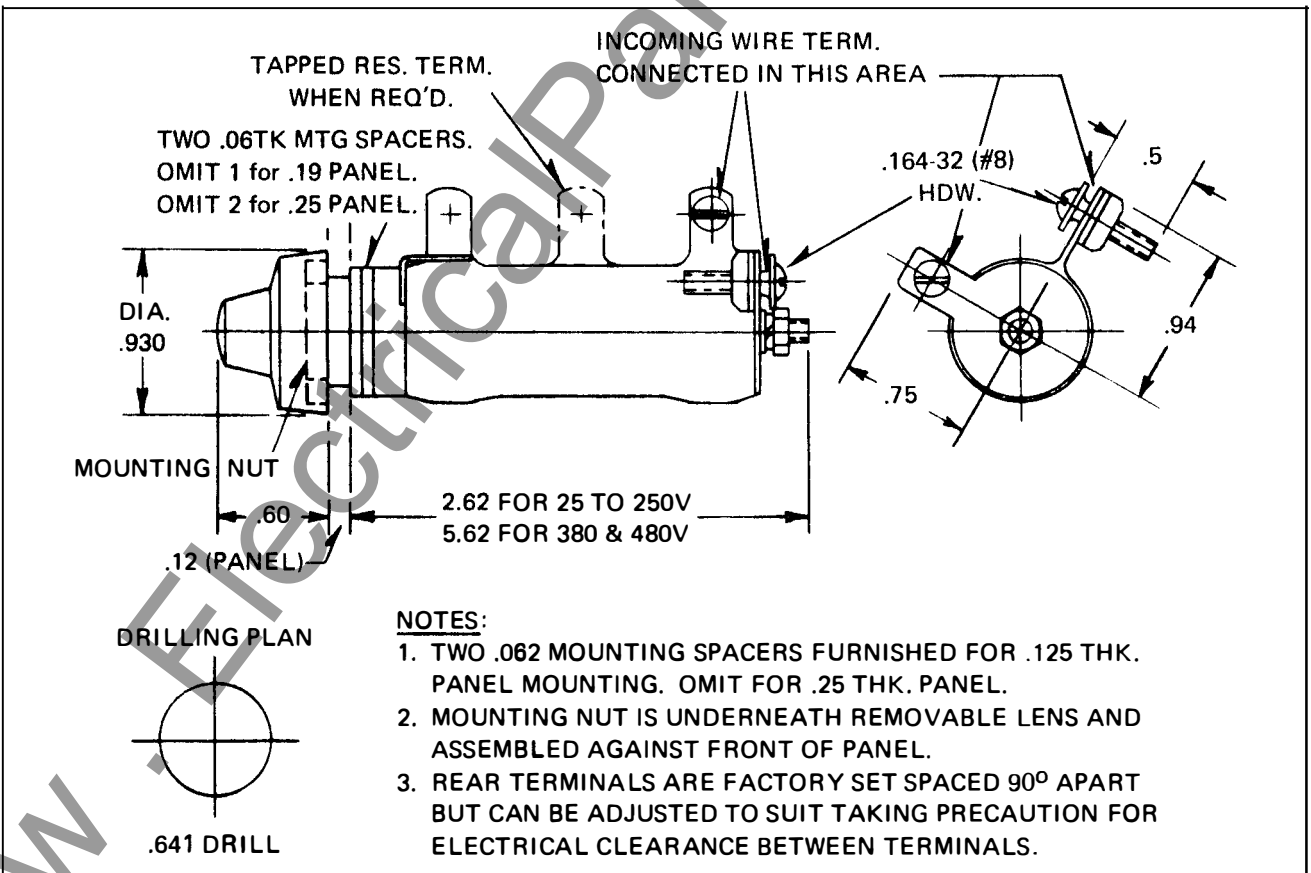
24 Volts, .75 Watts, .032/.038 Amps
Type T-2 Slide Base

RESISTORS

Service Voltage	Ohms	Style Number
25	90	348A956H01
50	850	348A956H02
70	1450	348A956H03
115	2900	348A956H04
125	3200	348A956H05
208	5800	348A956H06
230	6500	348A956H07
250	7100	348A956H08
380	11,000	348A956H09
480	14,500	348A956H10
50	500/500	348A957H01
125	2400/1400	348A957H02
250	6300/2700	348A957H03

LENSES

Red	S#436B303H01
Green	S#436B303H02
White	S#436B303H03
Blue	S#436B303H04
Amber	S#436B303H05
Clear	S#436B303H06



© Registered trademark

Westinghouse Electric Corporation

Switchgear Division, East Pittsburgh, Pa. 15112

Effective December, 1972

Printed in U.S.A.

Instructions and Renewal Parts Data for Type EZC Minalite® Indicating Lights



Instructions and
Renewal Parts Data
34-350-1

BULB - S#1124156

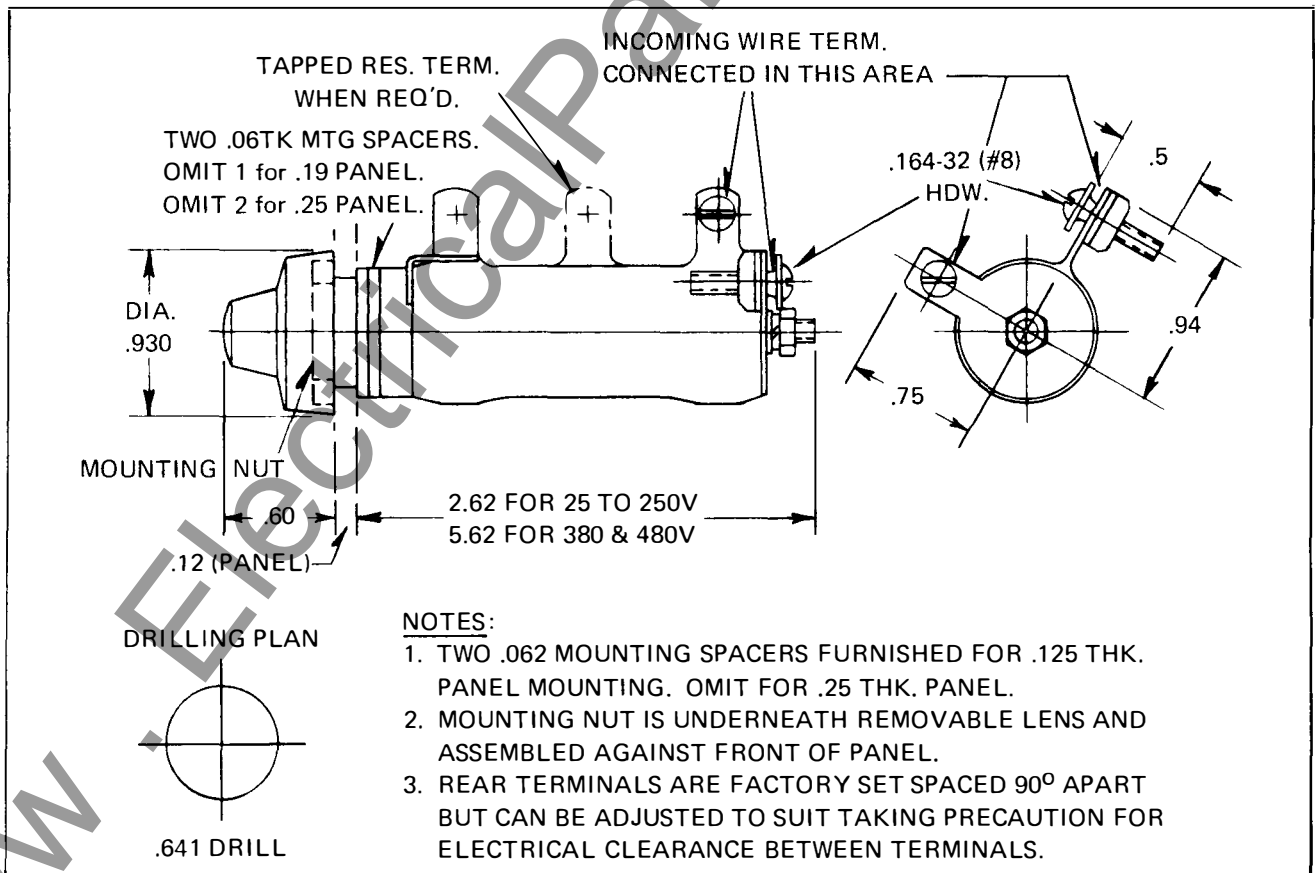
24 Volts, .75 Watts, .032/.038 Amps
Type T-2 Slide Base

RESISTORS

Service Voltage	Ohms	Style Number
25	90	348A956H01
50	850	348A956H02
70	1450	348A956H03
115	2900	348A956H04
125	3200	348A956H05
208	5800	348A956H06
230	6500	348A956H07
250	7100	348A956H08
380	11,000	348A956H09
480	14,500	348A956H10
50	500/500	348A957H01
125	2400/1400	348A957H02
250	6300/2700	348A957H03

LENSES

Red	S#436B303H01
Green	S#436B303H02
White	S#436B303H03
Blue	S#436B303H04
Amber	S#436B303H05
Clear	S#436B303H06



® Registered trademark

Westinghouse Electric Corporation

Switchgear Division, East Pittsburgh, Pa. 15112

Printed in U.S.A.

Effective December, 1972

Instructions and Renewal Parts Data for Type EZC Minalite® Indicating Lights



Instructions and
Renewal Parts Data
34-350-1

BULB - S#1124156

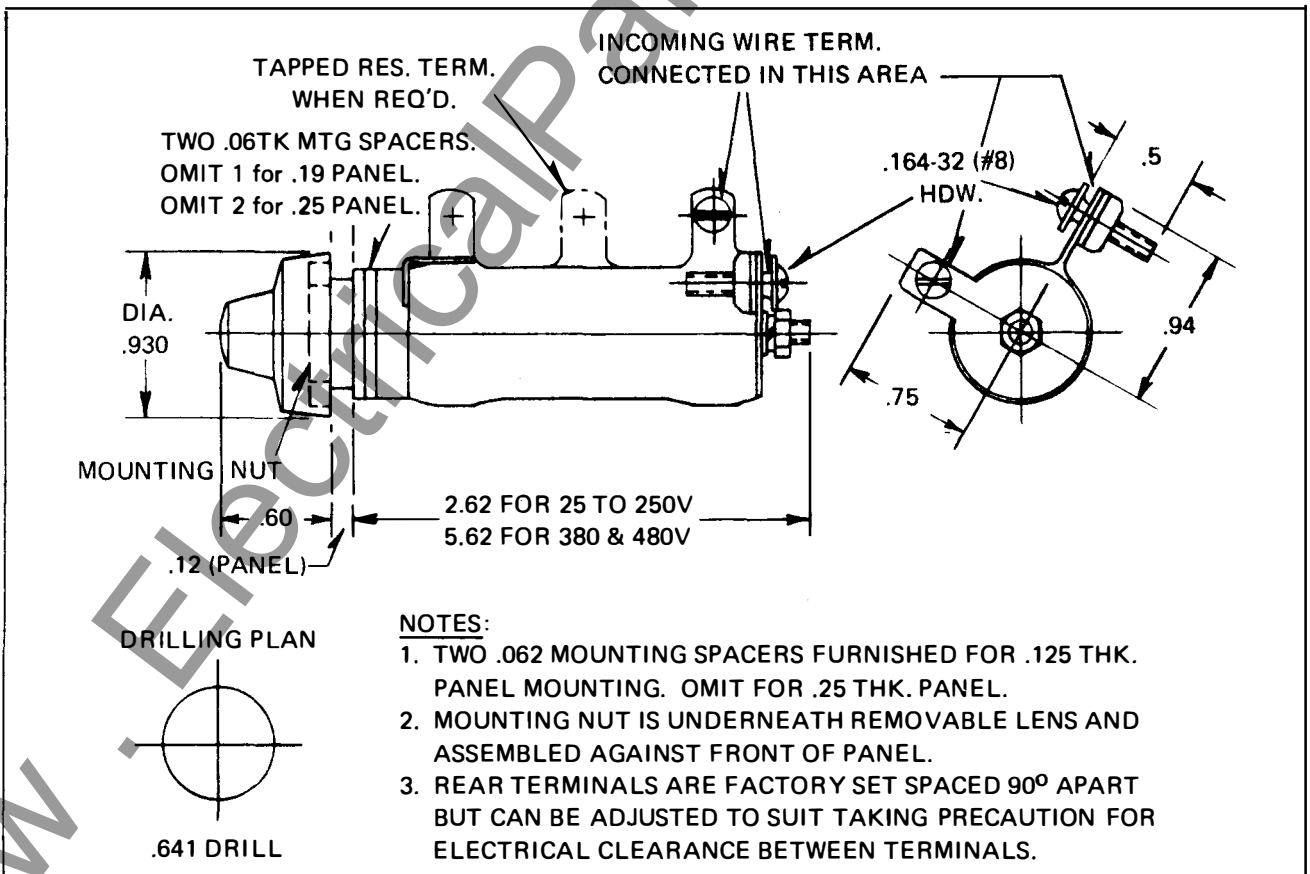
24 Volts, .75 Watts, .032/.038 Amps
Type T-2 Slide Base

RESISTORS

Service Voltage	Ohms	Style Number
25	90	348A956H01
50	850	348A956H02
70	1450	348A956H03
115	2900	348A956H04
125	3200	348A956H05
208	5800	348A956H06
230	6500	348A956H07
250	7100	348A956H08
380	11,000	348A956H09
480	14,500	348A956H10
50	500/500	348A957H01
125	2400/1400	348A957H02
250	6300/2700	348A957H03

LENSES

Red	S#436B303H01
Green	S#436B303H02
White	S#436B303H03
Blue	S#436B303H04
Amber	S#436B303H05
Clear	S#436B303H06



© Registered trademark

Westinghouse Electric Corporation

Switchgear Division, East Pittsburgh, Pa. 15112

Printed in U.S.A.

Effective December, 1972

Instructions and Renewal Parts Data for Type EZC Minalite® Indicating Lights



Instructions and
Renewal Parts Data
34-350-1

BULB - S#1124156

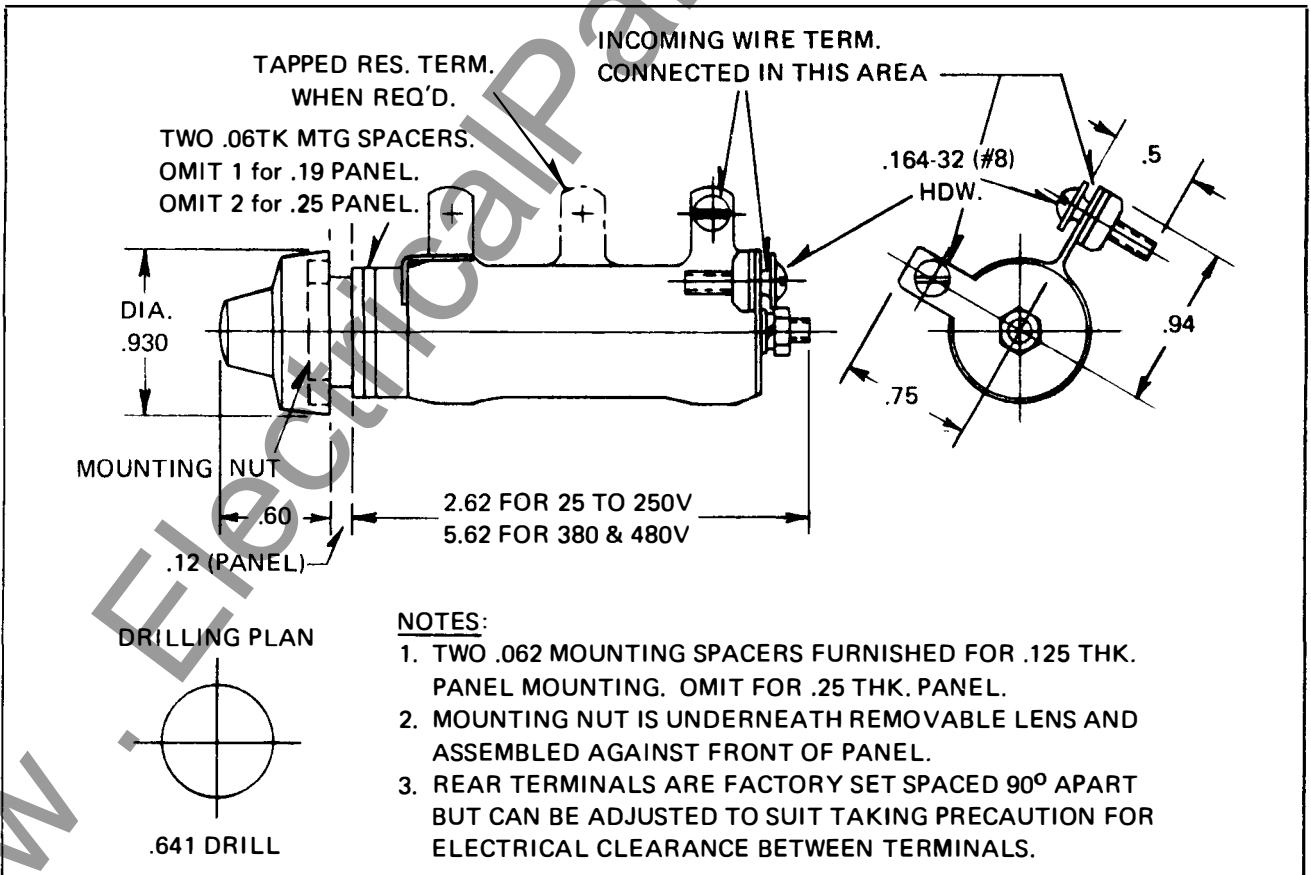
24 Volts, .75 Watts, .032/.038 Amps
Type T-2 Slide Base

LENSES

Red	S#436B303H01
Green	S#436B303H02
White	S#436B303H03
Blue	S#436B303H04
Amber	S#436B303H05
Clear	S#436B303H06

RESISTORS

Service Voltage	Ohms	Style Number
25	90	348A956H01
50	850	348A956H02
70	1450	348A956H03
115	2900	348A956H04
125	3200	348A956H05
208	5800	348A956H06
230	6500	348A956H07
250	7100	348A956H08
380	11,000	348A956H09
480	14,500	348A956H10
50	500/500	348A957H01
125	2400/1400	348A957H02
250	6300/2700	348A957H03



© Registered trademark

Westinghouse Electric Corporation

Switchgear Division, East Pittsburgh, Pa. 15112

Effective December, 1972

Printed in U.S.A.