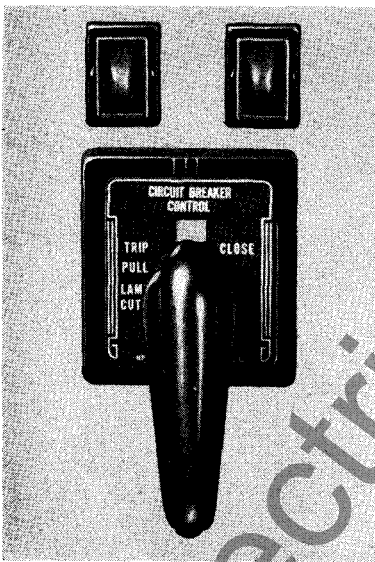


Rectangular Minalite

Large Round Indicating Lamp

Round Minalite



Rectangular Minalites with Modern Control Switch.

RECTANGULAR MINALITE® is a medium sized low-drain indicating lamp designed for extreme angular visibility and to provide the utmost in sturdiness, compactness, and appearance. Its design matches modern rectangular switchboard devices, such as instruments, relays and control switches. It is intended for general indicating or signal purposes on switchboards, control desks, etc.

LARGE ROUND INDICATING LAMP is a large high-drain lamp providing maximum illumination and universal mounting. It is more expensive and is primarily recommended for match-up purposes and for applications requiring good visibility of signals at great distances.

ROUND MINALITE® is a compact, medium-drain indicating lamp developed especially for miniature steel switchboards, providing the maximum illumination in the smallest possible space. Since some rigidity was sacrificed to obtain the long slender construction, which permits close center spacing between adjacent lamps, it is intended only for such applications where the wire size is not larger than No. 18.

TABLE A—LAMP CHARACTERISTICS

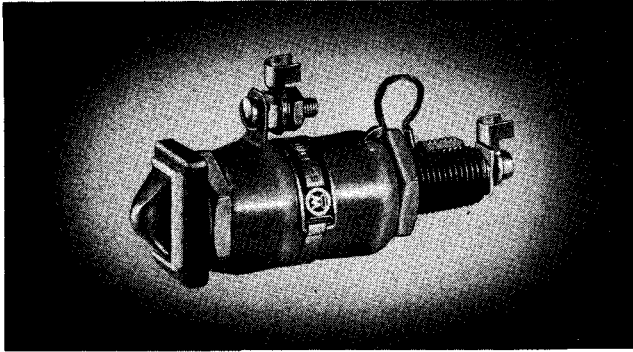
VOLTAGE RATING	WATTS											
	RECTANGULAR MINALITE						LARGE INDICATING LAMP			ROUND MINALITE		
	.032-.038 AMPERE, 24 VOLTS, 750 OHMS			.032-.038 AMPERE, 48 VOLTS, 1500 OHMS			.11 AMPERE, 18 VOLTS, 165 OHMS			.090-.11 AMPERE, 24 VOLTS, 267 OHMS .045-.060 AMPERE, 55 VOLTS, 1200 OHMS		
	BULB	RESISTOR	TOTAL	BULB	RESISTOR	TOTAL	BULB	RESISTOR	TOTAL	BULB	RESISTOR	TOTAL
25	0.83	0.83	1.47	0.89	2.36	2.34	2.34	
50	0.78	.83	1.61	1.67	1.29	3.13	4.42	2.27	2.34	4.61	
70	0.80	1.48	2.28	1.52	0.71	2.23	1.38	5.02	6.40	2.45	0.71	3.16
115	0.74	2.88	3.62	1.53	2.14	3.67	1.36	9.09	10.45	2.54	2.75	5.29
125	0.75	3.21	3.96	1.47	2.44	3.91	1.38	10.06	11.44	2.31	3.17	5.48
208	0.76	5.85	6.61	1.54	5.12	6.66	1.33	17.35	18.68	2.45	6.95	9.40
230	0.76	6.54	7.30	1.53	5.82	7.35	1.33	19.30	20.63	2.49	7.99	10.48
250	0.76	7.20	7.96	1.54	6.47	8.01	1.35	21.25	22.60	2.39	8.77	11.16

Supersedes Catalog Section 37-200, dated July 15, 1949
E42-1, 2, 3, 5Q; D64-1, 2, 3, 5F; C28-1, 2, 3, 5N, K; Classified File

OCTOBER 30, 1951

Refer to Selling Policy 37-000 for Standard Terms and Condition of Sale.
Prices are effective October 30, 1951 and are subject to change without notice

RECTANGULAR MINALITE



WESTINGHOUSE SPECIAL FEATURES

- **LOW DRAIN INDICATING LAMP** is designed for extreme angular visibility. The lens provides visibility in all directions. The assembly using the 0.75-watt, 24-volt bulb is standard. A similar assembly using a 1.5-watt, 48-volt bulb is available for use in locations having a high level of illumination.
- **MATCHES SWITCHBOARD DESIGN** in modern appearance and compactness.

RECTANGULAR MINALITE includes a rugged one-piece receptacle, made of Moldarta[®], a high strength molded material, and is suitable for mounting on panels 1/32 to 2 inches thick. The molded receptacle is shaped to key into a square hole in the panel to provide accurate positioning. Where positioning is not mandatory, the same receptacle can be mounted by drilling a 25/32-inch round hole (see "Drilling Plans", page 3). Pressure type leaf spring contacts establish connections with the slide base

telephone lamp having a rating of .032-.038 amperes, at 24 or 48 volts.

The rectangular lens assembly is held in place by means of phosphor bronze spring clips engaging in retaining grooves of the receptacle. A chromium metal holder encases the lens and spring clips. Rigid terminals for standard 10-32 hardware are provided. These terminals face the rear and are easily accessible. Resistors are available for Bright-Dim operation.

Ordering Information

Complete indicator requires one receptacle, one resistor, one set hardware, one lens, and one bulb.

List price covers complete indicator, including receptacle, resistor, hardware, lens, and bulb.

To order complete indicator, select:

1. One receptacle, Style Number 1615 694.

2. One resistor, according to service voltage, from table below.

3. One set hardware, according to thickness of panel and service voltage, from table below.

4. One lens, according to color, from table D.

5. One bulb, Style Number 1124 156 for 24-volt or Style Number 1615 719 for 48-volt.

TABLE B—LIST PRICES, RECTANGULAR MINALITE

SERVICE VOLTAGE	STYLE NUMBERS				LIST PRICES		APPROX. SHIP. WT. PER CARTON OF 4	
	RECEPTACLE STYLE NO. 1615 694 WITH RESISTOR BUT WITHOUT LENS OR BULB		RESISTOR	HARDWARE FOR MOUNTING ON PANELS		INCLUDING RECEPTACLE, RESISTOR, BULB, HARDWARE AND LENS		
	FOR PANELS UP TO 3/16" THICK	FOR PANELS 1/4" UP TO 2" THICK		UP TO 3/16" THICK	1/4" UP TO 2" THICK	CARTON OF 4		STD. PACKAGE OF 24
WITH 24-VOLT, 0.75-WATT BULB, STYLE NO. 1124 156								
25*	1589 180	1589 180	None	1535 155	1535 155	\$14.50	\$ 78.30	2 lbs.
50	1589 181	1589 193	1124 143	1124 139	1124 140	14.50	78.30	4 lbs.
70	1589 182	1589 194	1481 877	1124 139	1124 140	14.50	78.30	4 lbs.
115	1589 183	1589 195	1124 144	1124 139	1124 140	14.50	78.30	4 lbs.
125	1589 184	1589 196	1124 145	1124 139	1124 140	14.50	78.30	4 lbs.
208	1589 185	1589 197	1124 146	1124 139	1124 140	14.50	78.30	4 lbs.
230	1589 186	1589 198	1124 147	1124 139	1124 140	14.50	78.30	4 lbs.
250	1589 187	1589 199	1124 148	1124 139	1124 140	14.50	78.30	4 lbs.
380	1589 188	1589 188	1318 801	1254 990	1254 990	19.40	104.50	5 lbs.
480	1589 189	1589 189	1254 772	1254 990	1254 990	19.40	104.50	5 lbs.
50 Δ	1589 190	1589 190	1254 769	1254 990	1254 990	19.40	104.50	5 lbs.
125 Δ	1589 191	1589 191	1254 770	1254 990	1254 990	19.40	104.50	5 lbs.
250 Δ	1589 192	1589 192	1254 771	1254 990	1254 990	19.40	104.50	5 lbs.
WITH 48-VOLT, 1.5-WATT BULB, STYLE NO. 1615 719								
50*	1589 180	1589 180	None	1535 155	1535 155	14.50	78.30	4 lbs.
70	1584 570	1615 757	1584 560	1124 139	1124 140	14.50	78.30	4 lbs.
115	1584 571	1615 758	1584 561	1124 139	1124 140	14.50	78.30	4 lbs.
125	1584 572	1615 759	1584 562	1124 139	1124 140	14.50	78.30	4 lbs.
208	1615 754	1615 760	1584 563	1124 139	1124 140	14.50	78.30	4 lbs.
230	1615 755	1615 761	1584 564	1124 139	1124 140	14.50	78.30	4 lbs.
250	1615 756	1615 762	1584 565	1124 139	1124 140	14.50	78.30	4 lbs.
380	1615 720	1615 720	1584 566	1254 990	1254 990	19.40	104.50	5 lbs.
480	1615 721	1615 721	1584 567	1254 990	1254 990	19.40	104.50	5 lbs.
125 Δ	1615 722	1615 722	1584 568	1254 990	1254 990	19.40	104.50	5 lbs.
250 Δ	1615 723	1615 723	1584 569	1254 990	1254 990	19.40	104.50	5 lbs.

Δ With tapped resistor for "Bright-Dim" operation.

* Do not use for circuit breaker trip coil supervision. For this application a special bulb and series resistor are required. Refer to Westinghouse.

Prices Subject to Change Without Notice

RECTANGULAR MINALITE—Continued

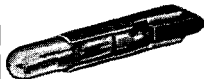
TABLE C—SUPERSEDED RECTANGULAR MINALITE ASSEMBLIES

Listed for convenient comparison. Select corresponding new styles from Table B, page 2.


SERVICE VOLTAGE	RECEPTACLE STYLE NO. 1124 141 WITH RESISTOR BUT WITHOUT LENS OR BULB			RESISTOR STYLE NUMBER	SERVICE VOLTAGE	RECEPTACLE STYLE NO. 1124 141 WITH RESISTOR BUT WITHOUT LENS OR BULB			RESISTOR STYLE NUMBER	SERVICE VOLTAGE	RECEPTACLE STYLE NO. 1124 141 WITH RESISTOR BUT WITHOUT LENS OR BULB			RESISTOR STYLE NUMBER
	FOR PANELS UP TO 3/16" THICK	FOR PANELS 1/4" TO 2" THICK				FOR PANELS UP TO 3/16" THICK	FOR PANELS 1/4" TO 2" THICK				FOR PANELS UP TO 3/16" THICK	FOR PANELS 1/4" TO 2" THICK		
25	1124 158*	1124 158*			208	1124 162	1124 168	1124 146		50 Δ	1254 993	1254 993	1254 769	
50	1124 159	1124 165	1124 143		230	1124 163	1124 169	1124 147		125 Δ	1254 994	1254 994	1254 770	
70	1481 878	1481 878	1481 877		250	1124 164	1124 170	1124 148		250 Δ	1254 995	1254 995	1254 771	
115	1124 160	1124 166	1124 144		380	1499 404	1499 404	1318 801						
125	1124 161	1124 167	1124 145		480	1254 991	1254 991	1254 772						

* Do not use for circuit breaker trip coil supervision. For this application a special bulb and series resistor are required.
 Δ With tapped resistor for "Bright-Dim" operation.

TABLE D—LIST PRICES, COMPONENT PARTS



Lens for Rectangular Minalite.



Bulb for Rectangular Minalite

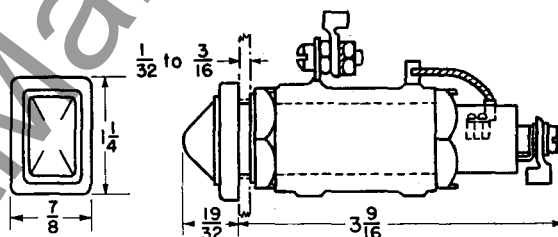
DETAIL PARTS †			
DESCRIPTION	STYLE NUMBER	LIST PRICE PER CARTON OF 10*	APPROX. SHIP WT. PER CARTON—LBS.
Receptacle	1615 694	\$15.10	3.
Receptacle	1124 141	15.10	3.
Hardware	1535 155	3.60	.5
Hardware	1124 139	3.60	.5
Hardware	1124 140	3.60	.5
Hardware	1254 990	3.60	.5
Red Lens	1615 688	3.00 †	.5
Green Lens	1615 689	3.00 †	.5
Clear Lens	1615 690	3.00 †	.5
Blue Lens	1615 691	3.00 †	.5
Amber Lens	1615 692	3.00 †	.5
Opalescent Lens	1615 693	3.00 †	.5
Bulb 24-volt, .032/038-Amps.	1124 156	3.60 †	.25
Bulb 48-volt, .032/038-Amps.	1615 719	3.60 †	.25

RESISTORS			
OHMS	STYLE NUMBER	LIST PRICE EACH*	APPROX. SHIP WT.—LBS. EACH
800	1124 143	\$2.85	.25
1400	1481 877	2.85	.25
2900	1124 144	2.85	.25
3200	1124 145	2.85	.25
5800	1124 146	2.85	.25
6500	1124 147	2.85	.25
7100	1124 148	2.85	.25
11000	1318 801 †	3.35	.25
14500	1254 772 †	3.35	.25
500/1000	1254 769 †	3.35	.25
2400/3800	1254 770 †	3.35	.25
6300/9000	1254 771 †	3.35	.25
700	1584 560	3.35	.25
2100	1584 561	3.35	.25
2500	1584 562	3.35	.25
5000	1584 563	3.35	.25
5700	1584 564	3.35	.25
6300	1584 565	3.35	.25
10400	1584 566	3.35	.25
13500	1584 567	3.35	.25
1800/3000	1584 568	3.35	.25
5100/7500	1584 569	3.35	.25

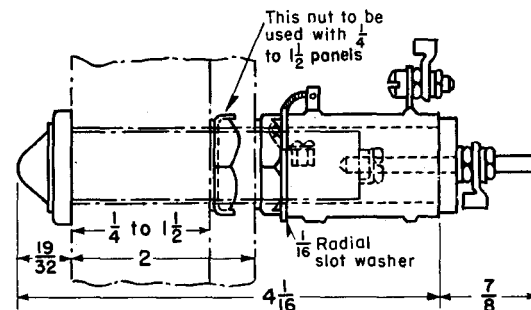
* When purchased separately as renewal parts.
 † Omission price when not required as part of complete assembly. ‡ Do not order less than one carton.
 † Order from East Pittsburgh. Order all other parts from nearest Westinghouse warehouse.

OUTLINE DIMENSIONS IN INCHES

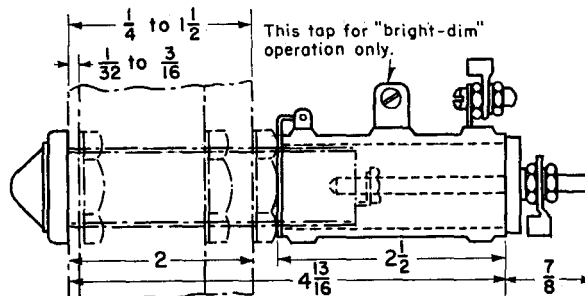
Approximate Only. Do Not Use for Construction Purposes.



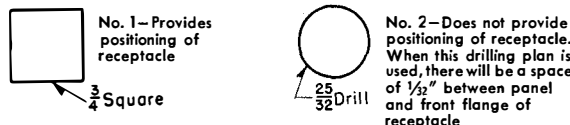
For panels 1/2 to 3/16-inch thick, and for voltages up to and including 250.



For panels 1/4 to 2-inches thick, and for voltages up to and including 250.

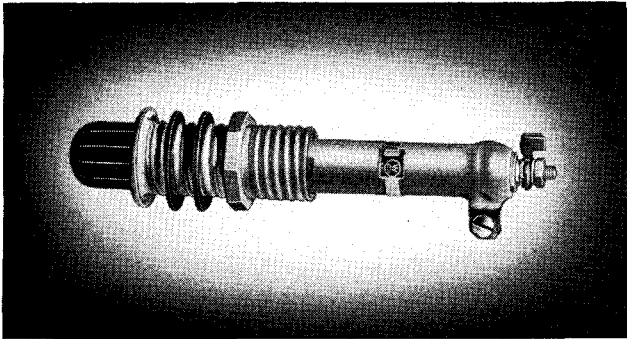


380 and 480-volt receptacles, and all receptacles for "bright-dim" operation. 1/32 to 2-inch thick panel mounting.



Drilling Plans

LARGE ROUND INDICATING LAMP



WESTINGHOUSE SPECIAL FEATURES

- **MAXIMUM ILLUMINATION**—Large high-drain lamp provides high levels of illumination efficiency.
- **LONG DISTANCE VISIBILITY**—Designed for applications requiring good visibility at great distances. Matches up with Switchboard design.
- **HEAVY DUTY CONSTRUCTION** for heavy duty applications. Housed in universal housing.

LARGE ROUND INDICATING LAMP is a type desirable for heavy duty application. It uses an 18 volt .11 ampere, candelabra screw base type bulb. The design lends itself for use on panels from

$\frac{1}{8}$ " to 2" in thickness. The resistor and receptacle form one complete unit. Resistor units are available for bright and dim operation.

Ordering Information

To order complete indicator, specify style number of receptacle, lens, and bulb.

TABLE E—LIST PRICES, LARGE ROUND INDICATING LAMPS

SERVICE VOLTS	OHMS RESISTANCE	RECEPTACLE WITH RESISTOR AND MOUNTING DETAILS BUT WITHOUT LENS OR BULB †				RECEPTACLE WITH RESISTOR BUT WITHOUT MOUNTING DETAILS, LENS, OR BULB ∅			
		STYLE NUMBER	LIST PRICE* ‡		APPROX. SHIP WT. —LBS./CARTON	STYLE NUMBERS		LIST PRICE* ‡	
			PER CARTON OF 4	PER STD. PKG. OF 24		RECEPTACLE	RESISTOR †	PER CARTON OF 4	PER STD. PKG. OF 24
25	100	549 460	\$24.20	\$130.65	4	752 655	846 352	\$21.75	\$117.60
50	400	549 461	24.20	130.65	4	752 656	846 353	21.75	117.60
70	600	822 288	24.20	130.65	4	822 289	846 364	21.75	117.60
115	1100	1640 609	24.20	130.65	4
125	1200	549 462	24.20	130.65	4	752 657	846 354	21.75	117.60
208	2150	1114 969	24.20	130.65	4
230	2400	1640 610	24.20	130.65	4
250	2600	549 463	24.20	130.65	4	752 658	846 355	21.75	117.60
25 Δ	80/100	549 464	26.60	144.00	5	752 659	846 356	24.20	129.60
50 Δ	190/400	549 465	26.60	144.00	5	752 660	846 357	24.20	129.60
125 Δ	350/1200	549 466	26.60	144.00	5	752 661	846 358	24.20	129.60
250 Δ	700/2600	549 467	26.60	144.00	5	752 662	846 359	24.20	129.60

* Do not order less than one carton.

† Cannot be ordered separately, order receptacle style for renewal part.

‡ List price includes receptacle, resistor, lens, and bulb. Specify color of lens and Style Number from Table F.

∅ If lens and bulb are not required, omit at price given in Table F.

Δ With tapped resistor for "bright-dim" operation.

∅ This table for identification and ordering of renewal receptacles which can be identified in the field only by resistor style number band.

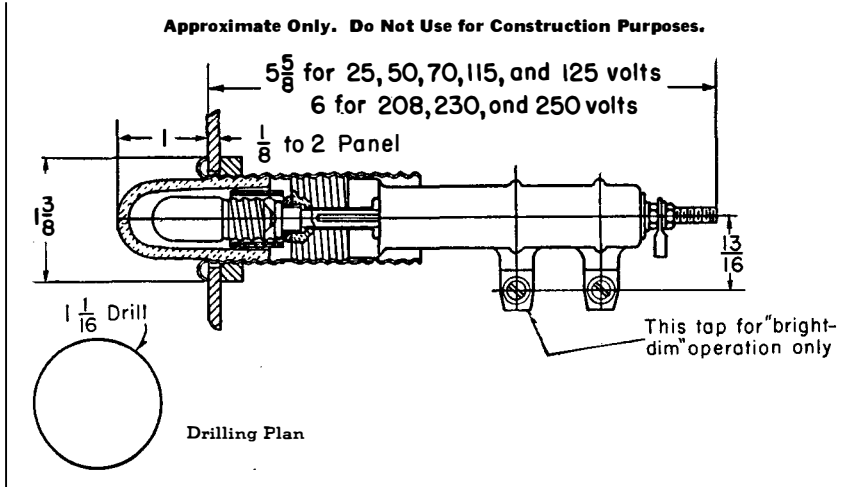
TABLE F—LIST PRICES, DETAIL PARTS

PART	STYLE NUMBER	LIST PRICE PER CARTON OF 10*	APPROX. SHIP WT. —LBS. PER CARTON
Bulb, 18-volt †	549 474	\$4.60	$\frac{1}{4}$
Red Lens	549 468	6.00	$\frac{1}{2}$
Green Lens	549 469	6.00	$\frac{1}{2}$
Clear Lens	549 470	6.00	$\frac{1}{2}$
Blue Lens	549 471	6.00	$\frac{1}{2}$
Amber Lens	549 472	6.00	$\frac{1}{2}$
Opalescent Lens	549 473	6.00	$\frac{1}{2}$

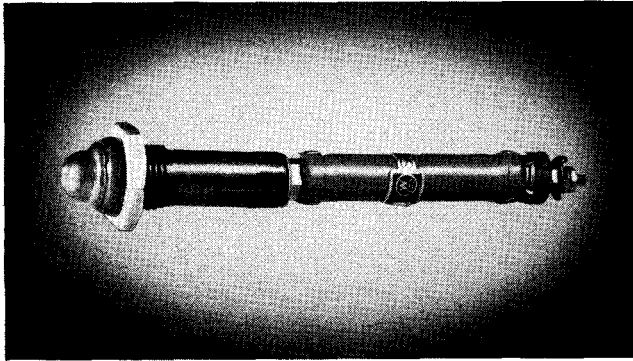
† Candelabra screw base, 0.11 amps.

* Do not order less than one carton.

OUTLINE DIMENSIONS IN INCHES



ROUND MINALITE



WESTINGHOUSE SPECIAL FEATURES

- **COMPACT, MEDIUM DRAIN**—Developed especially for miniature steel switchboards.
- **LONG, SLENDER CONSTRUCTION** permits close spacing between adjacent lamps.
- **MAXIMUM ILLUMINATION** in smallest possible space.

ROUND MINALITE is designed for panels up to $\frac{5}{16}$ " in thickness. It is available for standard control circuits of 50 to 250 volts

with a series resistor or 25 volts without a resistor. The assembly uses a slide base bulb.

Ordering Information

To order complete indicator, specify style number of receptacle, lens, and bulb.

TABLE G—LIST PRICES, ROUND MINALITES

RECEPTACLE WITH RESISTOR AND MOUNTING DETAILS. BUT WITHOUT LENS AND BULB					DETAIL PARTS				
SERVICE VOLTAGE	OHMS RESISTANCE	STYLE NUMBER	LIST PRICE*		APPROX. SHIP WT.—LBS. PER CARTON	 Lamp Extractor			
			PER CARTON OF 4	PER STUD. PKG. OF 20					
25†	275	822 328	\$13.80	\$74.50	2				
50	350	1640 618	13.80	74.50	2				
70	350	1640 613	13.80	74.50	2				
115	1300	822 323	13.80	74.50	2				
125	1650	822 322	13.80	74.50	2				
208	3400	1640 614	13.80	74.50	2				
230	3850	822 321	13.80	74.50	2				
250	4400	822 320	13.80	74.50	2				

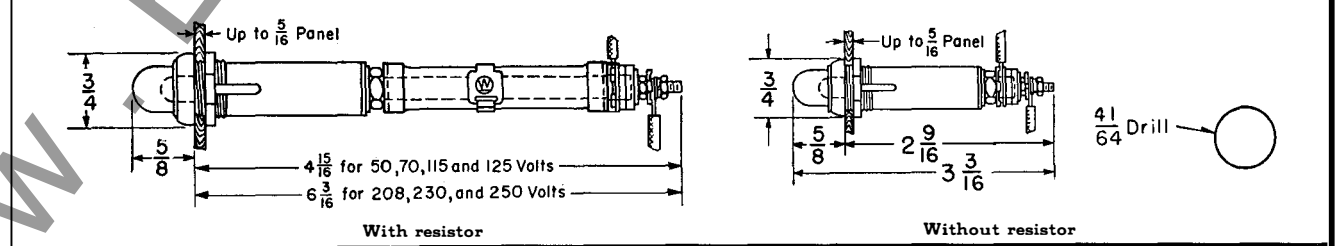
PART	STYLE NUMBER	LIST PRICE PER CARTON OF 10 Δ	APPROX. SHIP WT.—LBS. PER CARTON
¶ Bulb, 24-volt	1640 619	\$ 3.60	¼
§ Bulb, 55-volt	822 314	3.60	¼
Red Lens	822 265	3.00	¼
Green Lens	822 266	3.00	¼
Clear Lens	822 270	3.00	¼
Blue Lens	822 268	3.00	¼
Amber Lens	822 269	3.00	¼
Opalescent Lens	822 267	3.00	¼
Lamp Extractor	1418 127	7.85	½

* List price includes receptacle, resistor, lens, and bulb. Specify color of lens and voltage of bulb. If lens and bulb are not required, omit at prices under Detail Parts.
 † Do not use for circuit breaker trip coil supervision. For this application a special bulb and series resistor are required.
 ‡ Unless ordered with complete Minalite assembly.
 ¶ .09 to 0.11 amperes. For 25 and 50-volt receptacles.
 § .045 to .06 amperes. For 70 to 250-volt receptacles.

Δ When purchased separately as renewal parts.

OUTLINE DIMENSIONS IN INCHES—ROUND MINALITE

Approximate Only. Do Not Use for Construction Purposes.



Prices Subject to Change Without Notice



WESTINGHOUSE ELECTRIC CORPORATION
EAST PITTSBURGH PLANT • SWITCHGEAR DIVISION • EAST PITTSBURGH, PA.

Printed in U.S.A.