

INDOOR BUS SUPPORTS combine our standard indoor B.I.L. apparatus insulators with a wide variety of fittings to support flat or round buses of all popular sizes. For simplicity, a given fitting can be used with any voltage rating of a given bolt circle insulator.

INSULATORS—These indoor insulators meet all basic impulse insulation level requirements. They also meet NEMA standards for future design established October 27, 1944 as to height, diameter, electrical and mechanical strength requirements. See SG8-36 NEMA publication 49-144, dated April, 1949.

CONDUCTOR FITTINGS—In general the listed conductor fittings are non-ferrous or malleable iron castings which are assembled in the field to the insert or base of the standard insulator unit

by means of bolts and nuts furnished as part of the fitting. All fittings are of the "half-non-ferrous" type.

Ordering Information

INSULATOR—Specify the insulator of the proper type, voltage and strength class required to meet requirements of impulse level where application is to be made.

CONDUCTOR FITTING—Specify the desired fitting of same bolt circle as associated insulator.

MOUNTING—Specify mounting fitting or adapter if other than surface mounting.

WESTINGHOUSE SPECIAL FEATURES

1 NEMA STANDARD indoor B.I.L. insulators.

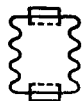
2 B.I.L.—All Bus Supports meet Basic Impulse Insulation Levels.

3 WIDE RANGE—Fittings are available for a wide range of round, flat, or channel conductors.

4 ADAPTERS allow for flat or pipe mounting.

NEMA CONSTRUCTION CLASSES

CLASS A



Insulator unit with inserts both top and bottom. This type is used on all Westinghouse bus supports and switches in strength Class 10, 20 and 30.

CLASS B



Insulator unit with insert at the top and an outside bonded base. This type is used on Westinghouse bus supports and switches in strength Classes 40 and 50.

GENERAL INSTRUCTIONS

Unless a definite cantilever strength greater than NEMA, Class A-20 is specified or an insulator diameter greater than 4 1/2 inches is specified, always quote NEMA, Class A-20 prices.

NOTE 1—In pricing indoor equipment the insulator class is determined by whichever is the greater, cantilever value, maximum outside diameter or the kv Impulse Withstand.

NOTE 2—Maximum outside diameter given above is to be interpreted as the largest diameter over porcelain on a smooth post or a tapered post and is to be the outside diameter over corrugations on a corrugated post.

NOTE 3—When requested to give strengths at heights other than those listed above, use value for next higher listed height.

NOTE 4—For ease in pricing, when certain cantilever value at the center line of bus is specified, assume that such centerline is 2 1/2" above the top of the insulator.

NEMA B.I.L. STANDARD INDOOR INSULATOR CHARACTERISTICS

B.I.L. VOLTAGE RATING KV	WITHSTAND TEST VOLTAGE KV		HEIGHT IN INCHES		MECHANICAL VALUES (STRENGTH—POUNDS)				STYLE NUMBER	LIST PRICE
	IMPULSE †	LOW FREQ. 1 MINUTE	CONSTRUCTION CLASS		CANTILEVER ‡	TORSION IN POUNDS	TENSION	COMPRESSION		
			A	B						
STRENGTH CLASS—A-10 (MAXIMUM DIAMETER 3 3/4")										
2.5	45	15	2 1/2"	750	1500	1500	10000	1482 027	\$ 4.50
STRENGTH CLASS—A-20 (MAXIMUM DIAMETER 4 1/2")										
5.0	60	19	3 1/2"	1000	2500	2000	20000	1581 768	5.50
7.5	75	26	4 1/2"	1500	3500	3000	20000	1581 769	6.50
15L	95	36	6"	1250	3500	3000	20000	1581 770	7.50
15H	110	50	7 1/2"	1000	3500	3000	20000	1581 774	9.00
STRENGTH CLASS—A-30 (MAXIMUM DIAMETER 6")										
5.0	60	19	3 1/2"	2000	4500	3500	30000	1581 771	8.00
7.5	75	26	4 1/2"	3000	6000	5000	30000	1581 772	9.00
15L	95	36	6"	2500	6000	5000	30000	1581 773	11.00
15H	110	50	7 1/2"	2000	6000	5000	30000	1581 775	13.00
23	150	60	10 1/2"	1500	6000	5000	30000	1581 776	20.00
34.5	200	80	15"	1250	6000	5000	30000	1581 767	30.00
STRENGTH CLASS—B-40 (MAXIMUM DIAMETER 7")										
7.5	75	26	6"	6000	10000	8000	50000	1584 610	18.00
15L	95	36	7 1/2"	5000	10000	8000	50000	1584 611	20.00
15H	110	50	9"	4000	10000	8000	50000	1584 612	22.00
23	150	60	12"	3000	10000	8000	50000	1584 613	38.00
34.5	200	80	15"	2500	10000	8000	50000	1584 614	55.00
STRENGTH CLASS—B-50 (MAXIMUM DIAMETER 8 1/2")										
7.5	75	26	6"	12000	15000	12000	80000	1584 615	40.00
15L	95	36	7 1/2"	10000	15000	12000	80000	1584 616	42.00
15H	110	50	9"	8000	15000	12000	80000	1584 617	46.00
23	150	60	12"	6000	15000	12000	80000	1584 618	75.00
34.5	200	80	15"	5000	15000	12000	80000	1584 619	110.00

† Impulse withstand test voltage with 1 1/2—40 wave, positive and negative.

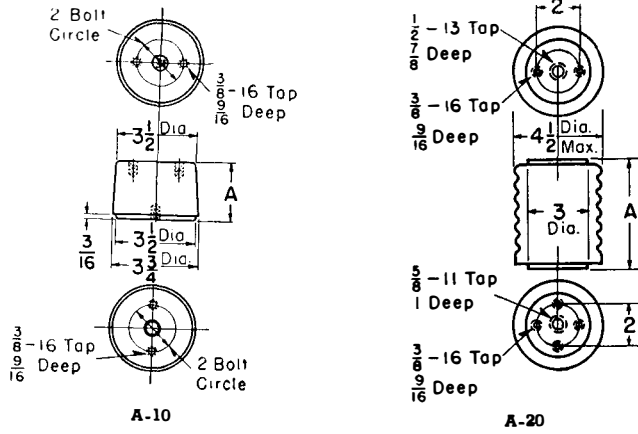
∅ Front Connected.

‡ Cantilever Strength Ratings are given 2 1/2" above cap.

Prices are Effective May 21, 1954, and are Subject to Change Without Notice

LIST PRICES—CONDUCTOR FITTINGS

FOR 2-INCH BOLT CIRCLE A-10 AND A-20 INSULATORS



CLASS	KV	STYLE NUMBER	A	LIST PRICE
A-10	2.5	1482 027	2½	\$4.50
A-20	5	1581 768	3½	5.50
A-20	7.5	1581 769	4½	6.50
A-20	15-L	1581 770	6	7.50
A-20	15-H	1581 774	7½	9.00

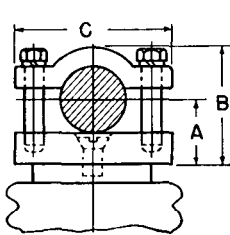


Fig. 1
SINGLE CLAMP

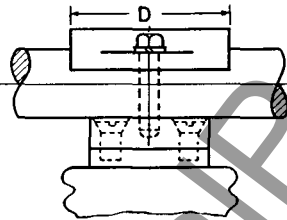


Fig. 2
DOUBLE CLAMP

CONDUCTOR SIZE		STYLE NUMBER	FIGURE NUMBER	APPROXIMATE DIMENSIONS IN INCHES				LIST PRICE
BARE CABLE DR OVER INSULATION	I.P.S.			A	B	C	D	
TYPE IR—SINGLE CLAMP								
1/8 to 1/2	1/8	1581 885	1	7/8	1 5/8	4	4	\$4.00
5/16 to 13/16	1/4 - 1/2	1581 886	1	1 1/8	1 13/16	4	4	4.00
7/8 to 1 1/16	3/4	1581 887	1	1 1/4	2 1/8	4	4	5.00
1 1/8 to 1 5/8	1	1581 888	1	1 3/8	2 1/2	4	3	5.00
1 3/4 to 1 1/2	...	1581 889	1	1 1/2	2 3/4	4	3	6.00
1 5/8 to 1 11/16	1 1/4	1581 890	1	1 5/8	3	4	3	6.00
1 3/4 to 1 5/8	1 1/2	1581 891	1	1 11/16	3 1/4	4	3	6.00
2 to 2 1/4	...	1581 892	1	1 13/16	3 1/2	4	3	7.00
2 5/8 to 2 3/8	2	1581 893	1	1 15/16	3 1/16	4	3	7.00
TYPE IR—DOUBLE CLAMP								
7/8 to 9/16	1/8 - 1/4	1581 912	2	2 1/8	2 5/8	4 7/8	9	9.00
5/8 to 1 1/16	5/8 - 1/2	1581 913	2	2 1/4	2 13/16	4 7/8	9	9.00
7/8 to 1 1/16	3/4	1581 914	2	2 3/8	3 1/8	4 7/8	9	10.00
1 1/8 to 1 5/8	1	1581 915	2	2 1/2	3 5/8	4 7/8	9	10.00
1 3/8 to 1 11/16	1 1/4	1581 916	2	2 5/8	3 15/16	4 7/8	9 1/4	11.00
1 3/4 to 1 5/8	1 1/2	1581 917	2	2 7/8	4 1/16	4 7/8	9 1/4	11.00
2 to 2 1/4	...	1581 918	2	3	4 1/2	4 7/8	9 1/4	12.00
2 5/8 to 2 3/8	2	1581 919	2	3 1/8	4 13/16	4 7/8	9 1/4	12.00

Prices are Effective May 21, 1954, and are Subject to Change Without Notice

LIST PRICES—CONDUCTOR FITTINGS—CONT'D

FOR 2-INCH BOLT CIRCLE A-10 AND A-20 INSULATORS—Continued

SEE PAGE 3 FOR INSULATOR DATA

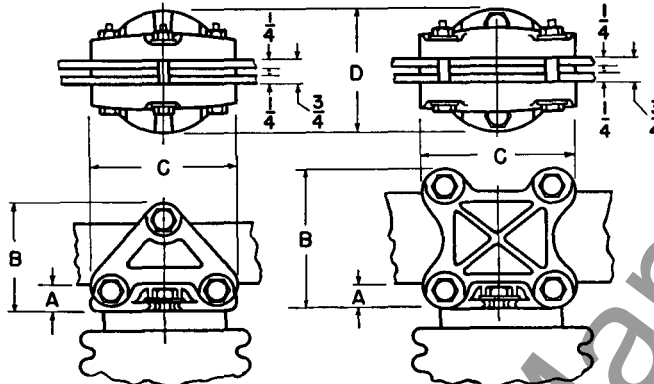


Fig. 3-A

Fig. 3-B

TYPE IE

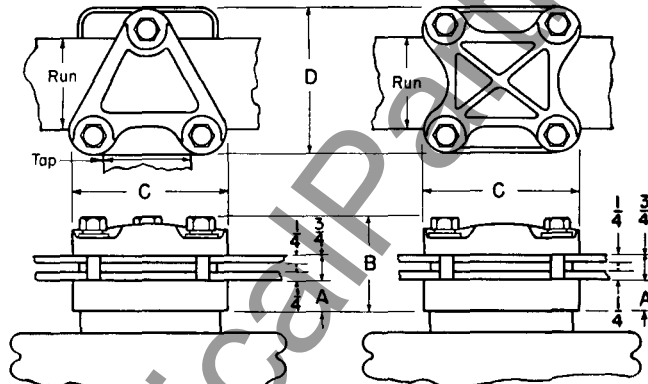


Fig. 4-A

Fig. 4-B

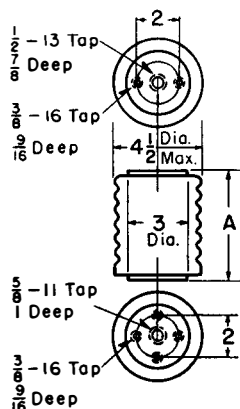
TYPE IF

WIDTH OF RUN	WIDTH OF TAP	STYLE NUMBER	FIGURE NUMBER	APPROXIMATE DIMENSIONS IN INCHES				LIST PRICE
				A	B	C	D	
TYPE IE*Ø								
2	..	527 747	3-A	3/4	3 3/8	4 1/8	3 1/4	\$6.00
3	..	527 746	3-A	3/4	4 9/16	6 1/8	3 1/2	7.00
4	..	527 745	3-A	3/4	5 9/16	6 1/8	3 1/2	9.00
3	4	527 757	3-B	3/4	4 9/16	6 1/8	3 9/16	8.00
4	4	527 756	3-B	3/4	5 9/16	6 1/8	3 9/16	10.00
TYPE IF*Ø								
2	2	1581 711	4-A	1/2	2 1/2	4 1/4	4 1/4	6.00
3	3	1581 712	4-A	3/4	2 3/4	5 1/4	4 9/16	7.00
4	4	1581 713	4-A	3/4	2 3/4	6 1/8	5 9/16	9.00
3	4	1581 714	4-A	3/4	2 3/4	6 1/8	5 9/16	9.00
3	3	1581 715	4-B	3/4	2 3/4	5 1/4	4 9/16	8.00
4	4	1581 716	4-B	3/4	2 3/4	6 1/8	5 9/16	10.00
4	3	1581 717	4-B	3/4	2 3/4	5 9/16	6 1/8	10.00
4	2	1581 718	4-B	3/4	2 3/4	5 9/16	6 1/8	10.00

* Order special bolts for bus space other than shown.
 Ø Prices do not include spacers. Add \$0.35 list each when required.

LIST PRICES—PIPE BRACKETS AND BASE MOUNTING PLATES

2-INCH BOLT CIRCLE FOR A-20 INSULATORS



A-20

CLASS	KV	STYLE NUMBER	A	LIST PRICE
A-20	5	1581 768	3 1/2	\$5.50
A-20	7.5	1581 769	4 1/2	6.50
A-20	15-L	1581 770	6	7.50
A-20	15-H	1581 774	7 1/2	9.00

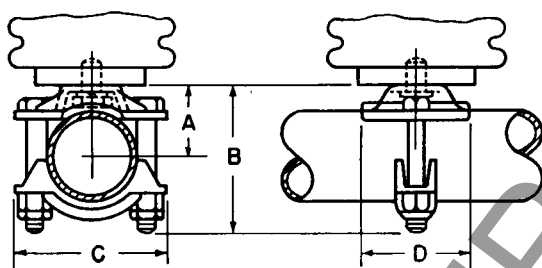


Fig. 1

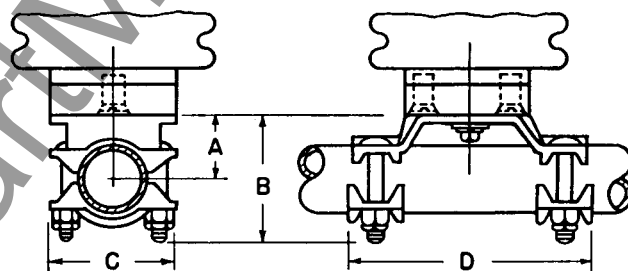


Fig. 2

PIPE SIZE	STYLE NUMBER	FIGURE NUMBER	APPROXIMATE DIMENSIONS IN INCHES				LIST PRICE
			A	B	C	D	
1 1/4	527 760	1	1 1/2	3	3 1/4	2 3/4	\$2.00
2	527 761	1	1 3/4	3 1/4	3 1/4	2 3/4	2.00
1 1/4*	527 764	2	1 1/2	3	3 1/4	5 1/4	2.00

* Order Adapter Style Number 1529 001.

BASE BRACKETS

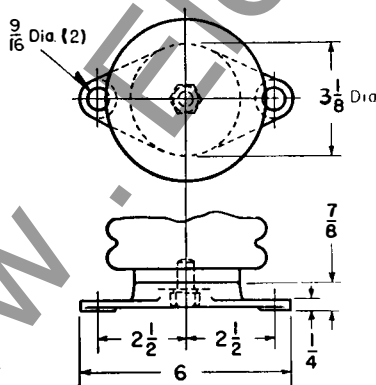


Fig. 3

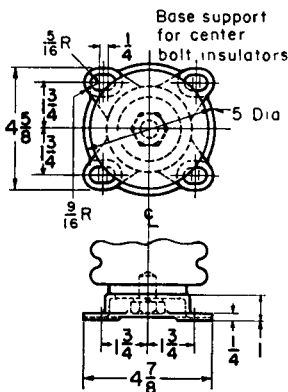
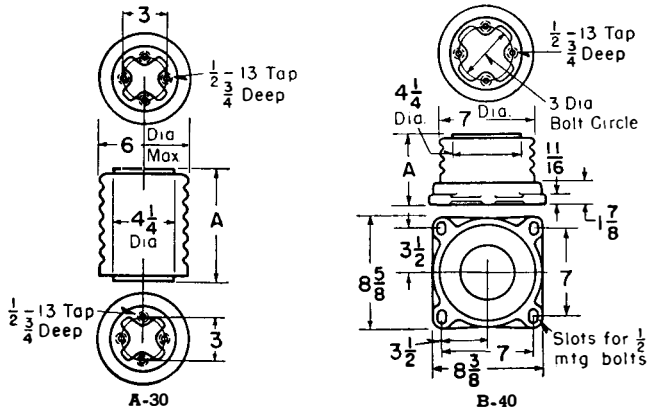


Fig. 4

FIG. NO.	DESCRIPTION	STYLE NUMBER	LIST PRICE
3	2-Bolt Mounting Base	527 767	No charge when ordered as part of complete bus support
4	4-Bolt Mounting Base	1581 868	

LIST PRICES—CONDUCTOR FITTINGS

3-INCH BOLT CIRCLE FOR A-30 AND B-40 INSULATORS



CLASS	KV	STYLE NUMBER	A	LIST PRICE
A-30	5	1581 771	3 1/2	\$ 8.00
A-30	7.5	1581 772	4 1/2	9.00
A-30	15-L	1581 773	6	11.00
A-30	15-H	1581 775	7 1/2	13.00
A-30	23	1581 776	10 1/2	20.00
A-30	34.5	1581 767	15	30.00
B-40	7.5	1584 610	6	18.00
B-40	15-L	1584 611	7 1/2	20.00
B-40	15-H	1584 612	9	22.00
B-40	23	1584 613	12	38.00
B-40	34.5	1584 614	15	55.00

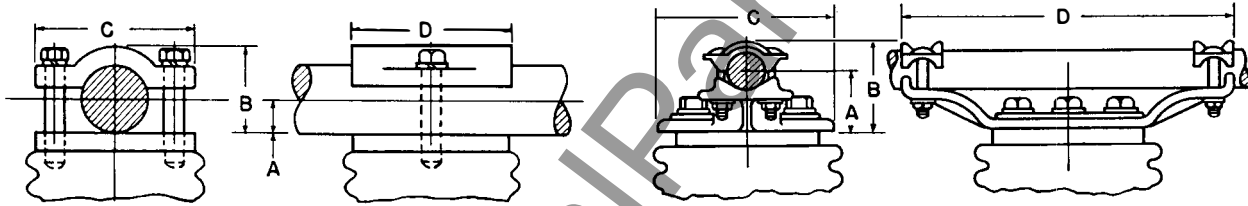


Fig. 1

SINGLE CLAMP

Fig. 2

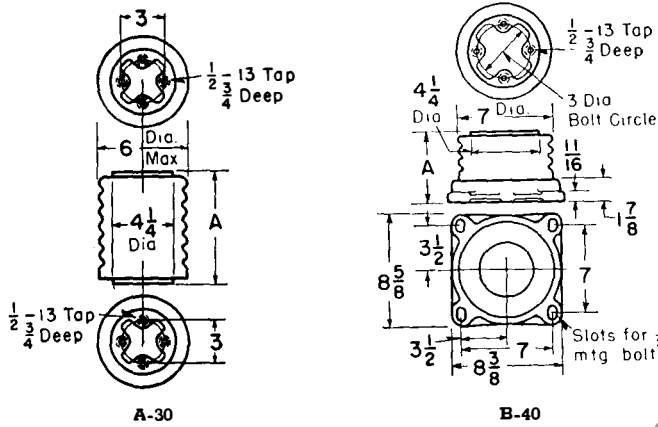
DOUBLE CLAMP

CONDUCTOR SIZE		STYLE NUMBER	FIGURE NUMBER	APPROXIMATE DIMENSIONS IN INCHES				LIST PRICE
BARE CABLE OR OVER INSULATION	I.P.S.			A	B	C	D	
TYPE IR—SINGLE CLAMP								
1/8 to 1/2	1/8	1581 894	1	1/8	7/8	4	4	\$ 4.00
3/16 to 13/16	1/4-1/2	1581 895	1	3/8	1 1/16	4	4	4.00
7/8 to 1 1/16	3/4	1581 896	1	1/2	1 3/8	4	4	5.00
1 1/8 to 1 5/8	1	1581 897	1	5/8	1 3/4	4	3	5.00
1 3/8 to 1 1/2	...	1581 898	1	3/4	2	4	3	6.00
1 3/8 to 1 11/16	1 1/4	1581 899	1	13/16	2 1/4	4	3	6.00
1 3/4 to 1 15/16	1 1/2	1581 900	1	15/16	2 1/2	4	3	6.00
2 to 2 1/4	...	1581 901	1	1 1/16	2 3/4	4	3	7.00
2 5/16 to 2 3/8	2	1581 902	1	1 3/16	2 15/16	4	3	7.00
TYPE IR—DOUBLE CLAMP								
7/16 to 3/16	1/8-1/4	1581 920	2	1 3/8	1 7/8	4 7/8	9	9.00
5/8 to 1 1/16	3/8-1/2	1581 921	2	1 1/2	2 3/16	4 7/8	9	9.00
7/8 to 1 1/4	3/4	1581 922	2	1 5/8	2 3/8	4 7/8	9	10.00
1 1/8 to 1 5/8	1	1581 923	2	1 3/4	2 5/8	4 7/8	9	10.00
1 3/8 to 1 11/16	1 1/4	1581 924	2	1 7/8	3 1/16	4 7/8	9 1/4	11.00
1 3/4 to 1 15/16	1 1/2	1581 925	2	2 1/8	3 3/16	4 7/8	9 1/4	11.00
2 to 2 1/4	...	1581 926	2	2 1/4	3 3/4	4 7/8	9 1/4	12.00
2 5/16 to 2 3/8	2	1581 927	2	2 3/8	4 1/16	4 7/8	9 1/4	12.00

Prices are Effective May 21, 1954, and are Subject to Change Without Notice

LIST PRICES—CONDUCTOR FITTINGS—CONT'D

3-INCH BOLT CIRCLE FOR A-30 AND B-40 INSULATORS—Continued



CLASS	KV	STYLE NUMBER	A	LIST PRICE
A-30	5	1581 771	3 1/2	\$ 8.00
A-30	7.5	1581 772	4 1/2	9.00
A-30	15-L	1581 773	6	11.00
A-30	15-H	1581 775	7 1/2	13.00
A-30	23	1581 776	10 1/2	20.00
A-30	34.5	1581 767	15	30.00
B-40	7.5	1584 610	6	18.00
B-40	15-L	1584 611	7 1/2	20.00
B-40	15-H	1584 612	9	22.00
B-40	23	1584 613	12	38.00
B-40	34.5	1584 614	15	55.00

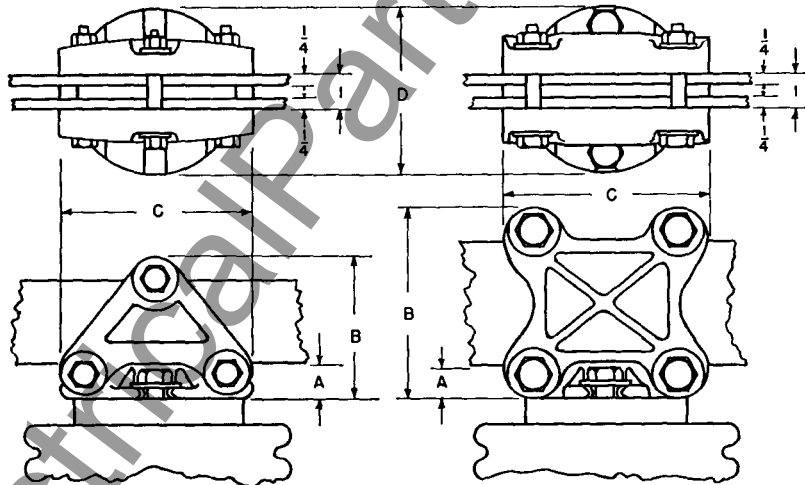


Fig. 3

Fig. 4

WIDTH OF RUN	WIDTH OF TAP	STYLE NUMBER	FIGURE NUMBER	APPROXIMATE DIMENSIONS IN INCHES				LIST PRICE
				A	B	C	D	
TYPE IE*Ø								
3	...	527 744	3	7/8	4 3/4	6 1/16	4 3/8	\$ 7.00
4	...	527 743	3	7/8	5 3/4	6 1/16	4 7/8	9.00
3	4	527 755	4	7/8	4 3/4	6 1/16	4 7/8	8.00
4	4	527 754	4	7/8	5 3/4	6 1/16	4 3/8	10.00
5	5	527 753	4	1 1/8	7	7 1/16	4 3/8	11.00
6	5	527 752	4	1 1/8	8	7 1/16	4 7/8	14.00

* Order special bolts for bus space other than shown.
 Ø Prices do not include spacers. Add \$0.35 list each when required.

LIST PRICES—CONDUCTOR FITTINGS—CONT'D

3-INCH BOLT CIRCLE FOR A-30 AND B-40 INSULATORS—Continued

SEE PAGE 7 FOR INSULATOR DATA

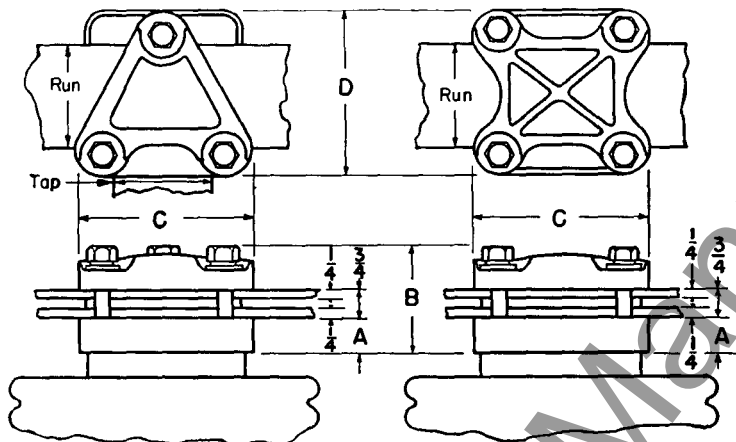


Fig. 5

Fig. 6

WIDTH OF RUN	WIDTH OF TAP	STYLE NUMBER	FIGURE NUMBER	APPROXIMATE DIMENSIONS IN INCHES				LIST PRICE
				A	B	C	D	
TYPE IF*Ø								
2	2	1581 719	5	1/4	2 1/2	4 1/4	4 1/4	\$ 6.00
3	3	1581 720	5	3/4	2 3/4	5 1/4	4 3/4	7.00
4	4	1581 721	5	3/4	2 3/4	6 1/4	5 3/4	9.00
3	3	1581 722	6	3/4	2 3/4	5 1/4	4 3/4	8.00
4	2	1581 723	6	3/4	2 3/4	5 3/4	6 1/4	10.00
4	3	1581 724	6	3/4	2 3/4	5 3/4	5 3/4	10.00
4	4	1581 725	6	3/4	2 3/4	6 1/4	5 3/4	10.00
5	4	1581 726	6	3/4	2 3/4	7 3/4	7 1/4	11.00
5	5	1581 727	6	3/4	2 3/4	7 3/4	6 3/4	11.00
6	4	1581 728	6	3/4	2 3/4	7 3/4	7 3/4	14.00
6	5	1581 729	6	3/4	2 3/4	7 3/4	7 3/4	14.00
6	6	1581 730	6	3/4	2 3/4	8 1/4	7 3/4	14.00

* Order special bolts for bus space other than shown.
 Ø Prices do not include spacers. Add \$0.38 list each when required.

TWO CABLE SUPPORT BUS FITTINGS

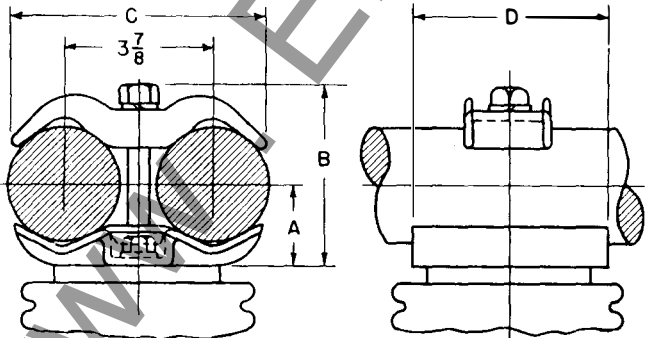
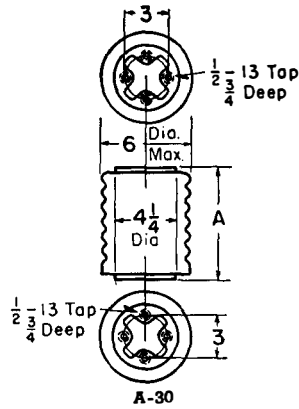


Fig. 7

CONDUCTOR SIZE		STYLE NUMBER	FIG. NO.	APPROXIMATE DIMENSIONS IN INCHES				LIST PRICE
FROM	TO			A	B	C	D	
TYPE IR								
1500 MCM	2000 MCM	527 733	7	1 1/4	3	6 3/4	5 1/4	\$ 7.50
1 1/2	IPS	527 733	7	1 3/8	3 1/4	6 3/4	5 1/4	9.50
2	IPS	527 734	7	1 1/2	3 3/4	6 3/4	5 1/4	11.00
2 1/2	IPS	527 735	7	2	4 1/2	6 3/4	5 1/4	13.00

LIST PRICES—PIPE BRACKETS AND BASE MOUNTING PLATES

3-INCH BOLT CIRCLE FOR A-30 INSULATORS



CLASS	KV	STYLE NUMBER	A	LIST PRICE
A-30	5	1581 771	3 1/2	\$ 8.00
A-30	7.5	1581 772	4 1/2	9.00
A-30	15-L	1581 773	6	11.00
A-30	15-H	1581 775	7 1/2	13.00
A-30	23	1581 776	10 1/2	20.00
A-30	34.5	1581 767	15	30.00

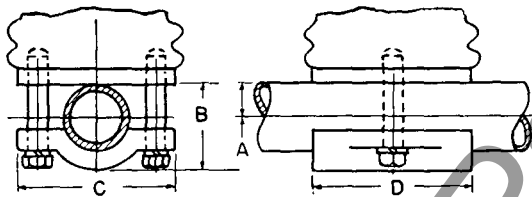


Fig. 11

SINGLE CLAMP

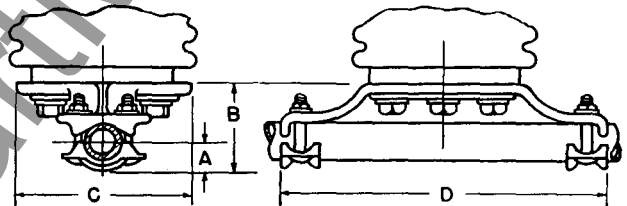


Fig. 12

DOUBLE CLAMP

SIZE OF PIPE	STYLE NUMBER	FIG. NO.	APPROXIMATE DIMENSIONS IN INCHES				LIST PRICE	SIZE OF PIPE	STYLE NUMBER	FIG. NO.	APPROXIMATE DIMENSIONS IN INCHES				LIST PRICE
			A	B	C	D					A	B	C	D	
1 1/4	527 762	11	1 3/16	2 3/16	4	3	\$2.00	1 1/4	527 765	12	1 15/16	3 1/2	4 7/8	9 1/4	\$2.00
2	527 763	11	1 3/16	2 7/8	4	3	2.00	2	527 766	12	2 7/16	4 1/2	4 7/8	9 1/4	2.00

BASE SUPPORTS

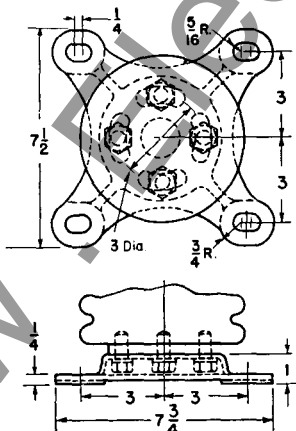


Fig. 13

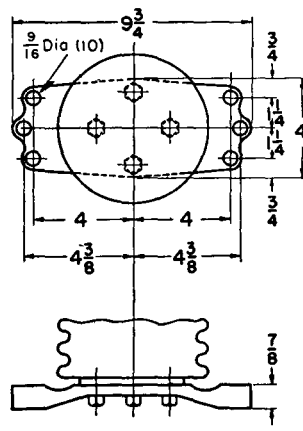
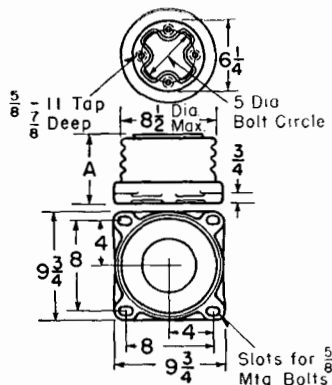


Fig. 14

FIG. NO.	DESCRIPTION	STYLE NUMBER	LIST PRICE
13	4-Bolt Mounting Base	1581 870	No charge when ordered as part of complete bus support
14	6-Bolt Mounting Base	1529 441	No charge when ordered as part of complete bus support

LIST PRICES—CONDUCTOR FITTINGS

5-INCH BOLT CIRCLE FOR B-50 INSULATORS



B-50

KV	STYLE NUMBER	A	LIST PRICE
7.5	1584 615	6	\$ 40.00
15-L	1584 616	7 1/2	42.00
15-H	1584 617	9	46.00
23	1584 618	12	75.00
34.5	1584 619	15	110.00

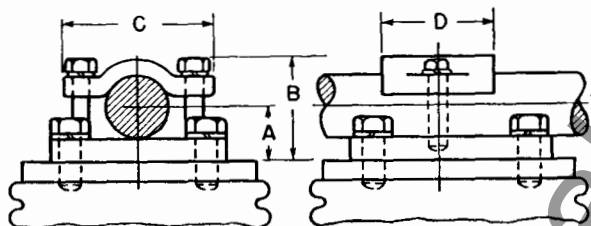


Fig. 1

SINGLE CLAMP

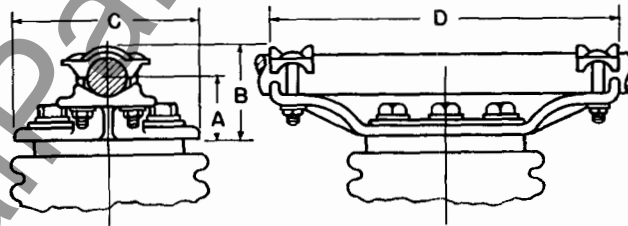


Fig. 2

DOUBLE CLAMP

CONDUCTOR SIZE		STYLE NUMBER	FIGURE NUMBER	APPROXIMATE DIMENSIONS IN INCHES				LIST PRICE
BARE CABLE OR OVER INSULATION	I.P.S.			A	B	C	D	
TYPE IR—SINGLE CLAMP								
1/8 to 1/2	1/8	1581 903	1	3/4	1 1/2	4	4	\$ 5.00
5/16 to 13/16	1/4 - 1/2	1581 904	1	1	1 13/16	4	4	5.00
7/8 to 1 1/16	3/4	1581 905	1	1 1/8	2	4	4	7.00
1 1/8 to 1 5/16	1	1581 906	1	1 1/4	2 3/8	4	3	7.00
1 3/8 to 1 1/2	1 1/4	1581 907	1	1 3/8	2 5/8	4	3	8.00
1 5/8 to 1 7/8	1 1/2	1581 908	1	1 5/8	2 7/8	4	3	8.00
1 3/4 to 1 5/8	1 1/2	1581 909	1	1 9/16	3 1/8	4	3	8.00
2 to 2 1/4	2	1581 910	1	1 11/16	3 3/8	4	3	9.00
2 1/4 to 2 3/8	2	1581 911	1	1 13/16	3 5/8	4	3	9.00
TYPE IR—DOUBLE CLAMP								
7/16 to 3/8	1/8 - 1/4	1581 928	2	1 3/8	1 7/8	4 7/8	11	13.00
5/8 to 13/16	3/8 - 1/2	1581 929	2	1 1/2	2 1/8	4 7/8	11	13.00
7/8 to 1 1/16	3/4	1581 930	2	1 5/8	2 3/8	4 7/8	11	14.00
1 1/8 to 1 5/16	1	1581 931	2	1 3/4	2 5/8	4 7/8	11	14.00
1 3/8 to 1 1/2	1 1/4	1581 932	2	1 7/8	3 1/8	4 7/8	11 1/4	15.00
1 5/8 to 1 7/8	1 1/2	1581 933	2	2 1/8	3 3/8	4 7/8	11 1/4	15.00
2 to 2 1/4	2	1581 934	2	2 1/4	3 3/8	4 7/8	11 1/4	16.00
2 1/4 to 2 3/8	2	1581 935	2	2 3/8	4 1/8	4 7/8	11 1/4	16.00

Prices are Effective May 21, 1954, and are Subject to Change Without Notice

LIST PRICES—CONDUCTOR FITTINGS—CONT'D

5-INCH BOLT CIRCLE FOR B-50 INSULATORS—Continued

SEE PAGE 10 FOR INSULATOR DATA

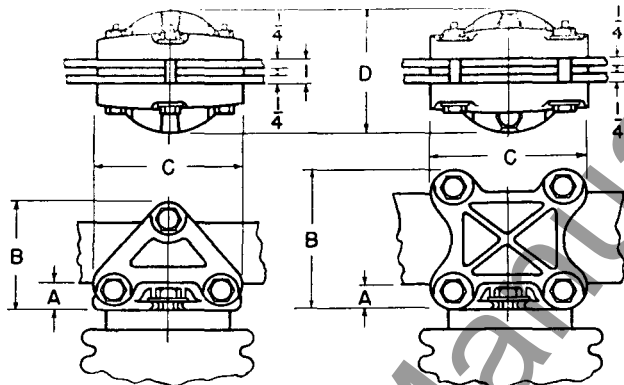


Fig. 3

Fig. 4

TYPE IE

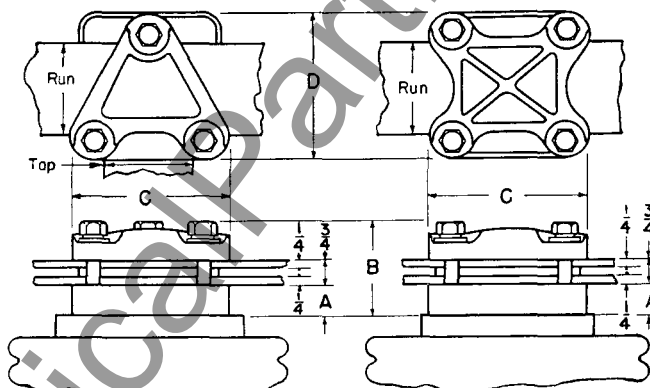


Fig. 5

Fig. 6

TYPE IF

WIDTH OF RUN	WIDTH OF TAP	STYLE NUMBER	FIGURE NUMBER	APPROXIMATE DIMENSIONS IN INCHES				LIST PRICE
				A	B	C	D	
TYPE IE*Ø								
4		527 748-A	3	1 1/16	5 7/8	7 1/16	5 7/8	\$13.00
4	5	527 759-A	4	1 1/16	5 7/8	7 1/16	5 7/8	13.00
5	5	527 750-A	4	1 1/8	7	7 1/16	5 7/8	15.00
6	6	527 749-A	4	1 1/8	8	8 1/16	5 7/8	19.00
TYPE IF*Ø								
4	4	1529 222	5	3/4	2 3/4	6 1/16	6 3/4	13.00
5	4	1581 731	6	3/4	2 3/4	7 7/16	7 1/16	15.00
5	5	1581 732	6	3/4	2 3/4	7 7/16	6 7/16	15.00
6	4	1581 733	6	3/4	2 3/4	7 7/16	7 7/16	19.00
6	5	1581 734	6	3/4	2 3/4	7 7/16	7 7/16	19.00
6	6	1581 735	6	3/4	2 3/4	8 1/16	7 7/16	19.00

* Order special bolts for bus space other than shown.
 Ø Prices do not include spacers. Add \$0.35 list each when required.

LIST PRICES—NON-FERROUS BUS CLAMPS FOR FLAT BARS

ALUMINUM INDOOR BUS CLAMPS

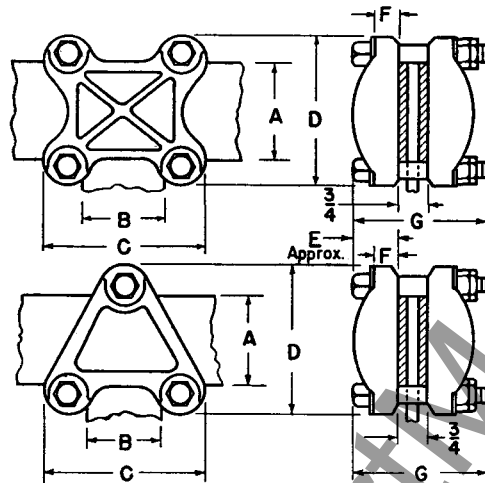


Fig. 1

Fig. 2

WIDTH OF RUN A	WIDTH OF TAP B	STYLE* NUMBER	FIGURE NUMBER	APPROXIMATE DIMENSIONS IN INCHES					LIST PRICE* PER PAIR
				C	D	E	F	G	
2	2	1529 223	2	3 ¹ / ₁₆	3 ³ / ₁₆	1 ⁵ / ₁₆	5 ⁵ / ₁₆	3	\$2.50
2	3	1529 224	2	4 ¹ / ₁₆	3 ³ / ₁₆	1 ⁵ / ₁₆	5 ⁵ / ₁₆	3	2.50
3	2	1529 225	2	3 ¹ / ₁₆	4 ³ / ₁₆	1	1 ¹ / ₁₆	3 ¹ / ₄	3.00
3	3	1529 226	2	5 ¹ / ₁₆	4 ³ / ₁₆	1 ¹ / ₁₆	1 ¹ / ₁₆	3 ³ / ₁₆	3.00
3	4	1529 227	2	6 ¹ / ₁₆	4 ³ / ₁₆	1 ¹ / ₁₆	3 ³ / ₁₆	3 ³ / ₁₆	4.00
4	4	1529 228	2	6 ¹ / ₁₆	5 ³ / ₁₆	1 ³ / ₁₆	3 ³ / ₁₆	3 ³ / ₁₆	4.00
4	5	1529 229	2	7 ¹ / ₁₆	5 ³ / ₁₆	1 ³ / ₁₆	3 ³ / ₁₆	3 ³ / ₁₆	6.00
3	3	1529 230	1	5 ¹ / ₁₆	4 ³ / ₁₆	1 ¹ / ₁₆	1 ¹ / ₁₆	3 ³ / ₁₆	3.50
4	2	1529 231	1	3 ³ / ₁₆	6 ¹ / ₁₆	1 ¹ / ₁₆	1 ¹ / ₁₆	3 ³ / ₁₆	4.00
4	3	1529 232	1	4 ³ / ₁₆	6 ¹ / ₁₆	1 ¹ / ₁₆	1 ¹ / ₁₆	3 ³ / ₁₆	5.00
4	4	1529 233	1	6 ¹ / ₁₆	5 ³ / ₁₆	1 ³ / ₁₆	3 ³ / ₁₆	3 ³ / ₁₆	7.50
5	4	1529 234	1	5 ³ / ₁₆	7 ¹ / ₁₆	1 ³ / ₁₆	3 ³ / ₁₆	3 ³ / ₁₆	7.50
5	5	1529 235	1	7 ¹ / ₁₆	6 ³ / ₁₆	1 ³ / ₁₆	1 ³ / ₁₆	3 ³ / ₁₆	8.00
6	3	1529 236	1	5 ¹ / ₁₆	7 ³ / ₁₆	1 ⁵ / ₁₆	1 ³ / ₁₆	3 ¹ / ₁₆	12.00
6	4	1529 237	1	6 ¹ / ₁₆	7 ³ / ₁₆	1 ⁵ / ₁₆	1 ³ / ₁₆	3 ¹ / ₁₆	12.00
6	5	1529 238	1	7 ¹ / ₁₆	7 ³ / ₁₆	1 ⁵ / ₁₆	1 ³ / ₁₆	3 ¹ / ₁₆	13.00
6	6	1529 239	1	8 ¹ / ₁₆	7 ³ / ₁₆	1 ⁵ / ₁₆	1 ³ / ₁₆	3 ¹ / ₁₆	13.00

Order special bolts for bus space other than shown.

* Style Number and List Price include a pair of clamps complete with hardware.

◆ Prices are Effective May 21, 1954 and are Subject to Change Without Notice

WESTINGHOUSE ELECTRIC CORPORATION
EAST PITTSBURGH PLANT • SWITCHGEAR DIVISION • EAST PITTSBURGH, PA.

Printed in U.S.A.