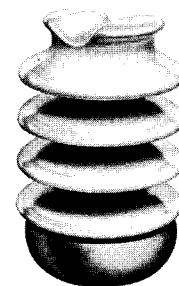




LINE-POST INSULATORS—TIE-TOP

FEATURES

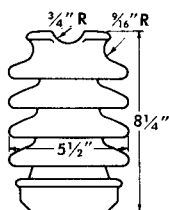
- Purified Porcelain
- Controlled Compression Glaze
- High Mechanical and Electrical Strength
- Aluminum or Ferrous Bases.



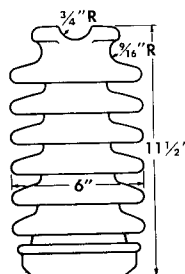
H-44848A

MECHANICAL, ELECTRICAL VALUES

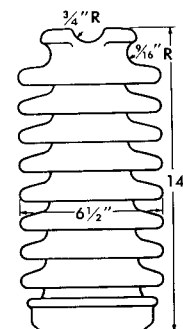
Cat. No.	USASI Class No.	Base	Cantilever Strength Pounds	Typical Application Voltage KV	Low-Frequency Flashover—KV		Impulse Flashover—KV†		Radio Influence Voltage	
					Dry	Wet	Positive	Negative	Low-Freq. Test (Rms to Grd) KV	Max. Microvolts at 1000 Kc
2025 2325	57-1	Ferrous Aluminum	2800	25	80	60	130	155	15	100
2035 2335	57-2	Ferrous Aluminum	2800	35	110	85	180	205	22	100
2045 2345	57-3	Ferrous Aluminum	2800	45	125	100	210	260	30	200



Cat. No. 2025
Cat. No. 2325



Cat. No. 2035
Cat. No. 2335



Cat. No. 2045
Cat. No. 2345

DIMENSIONS, WEIGHTS

Cat. No.	USASI Class No.	Base	Leakage Distance Inches	Dry Arcing Distance Inches	WEIGHT—Pounds		Number in Standard Package
					Net Per 100	Shipping Per 100	
2025 2325	57-1	Ferrous Aluminum	14	6½	1038 814	1188 964	3
2035 2335	57-2	Ferrous Aluminum	22	9½	1783 1334	1967 1518	3
2045 2345	57-3	Ferrous Aluminum	29	12¼	2450 2083	2700 2333	3

† Crest kV 1½ x 40 microsecond wave, critical value.

FOR SELECTION AND APPLICATION INFORMATION—See Section 12.0.3.

FOR MOUNTING STUDS—See Line-Post Hardware Section 12.1.3.4.



LINE-POST INSULATORS—CLAMP-TOP

VERTICAL MOUNTING

FEATURES

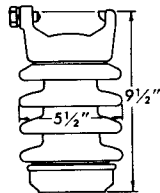
- Purified Porcelain
- Controlled Compression Glaze
- High Mechanical and Electrical Strength
- Aluminum Yoke and Clamps
- Aluminum or Ferrous Bases



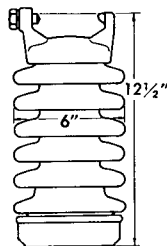
H-44849A

MECHANICAL, ELECTRICAL VALUES

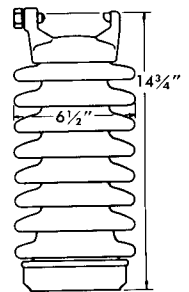
Cat. No.	Base	Cantilever Strength Pounds	Typical Application Voltage KV	Low-Frequency Flashover—KV		Impulse Flashover—KV†		Radio Influence Voltage	
				Dry	Wet	Positive	Negative	Low-Freq. Test (Rms to Grd) KV	Max. Microvolts at 1000 Kc
2425	Ferrous Aluminum	2800	25	80	60	130	155	15	100
2525				110	85	180	205	22	100
2435	Ferrous Aluminum	2800	35	125	100	210	260	30	200
2535				125	100	210	260	30	200
2445	Ferrous Aluminum	2800	45	125	100	210	260	30	200
2545				125	100	210	260	30	200



Cat. No. 2425
Cat. No. 2525



Cat. No. 2435
Cat. No. 2535



Cat. No. 2445
Cat. No. 2545

DIMENSIONS, WEIGHTS

Cat. No.	Base	Leakage Distance Inches	Dry Arcing Distance Inches	WEIGHT—Pounds		Number In Standard Package
				Net Per 100	Shipping Per 100	
2425	Ferrous Aluminum	14	6 1/2	1150	1284	3
2525				950	1084	
2435	Ferrous Aluminum	22	9 1/2	1800	1933	3
2535				1520	1653	
2445	Ferrous Aluminum	29	12 1/4	2500	2666	3
2545				2220	2386	

† Crest kV 1 1/2 x 40 microsecond wave, critical value.

FOR MOUNTING STUDS AND CLAMP ASSEMBLY—See Line-Post Hardware Section 12.1.3.4.

FOR SELECTION AND APPLICATION INFORMATION—See Section 12.0.3.

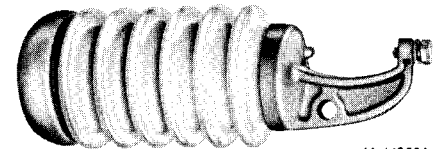


LINE-POST INSULATORS—CLAMP-TOP

HORIZONTAL MOUNTING

FEATURES

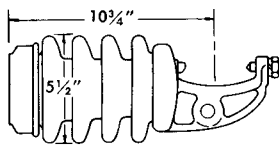
- Purified Porcelain
- Controlled-Compression Glaze
- High Mechanical and Electrical Strength
- Aluminum Yoke and Clamps
- Aluminum or Ferrous Bases



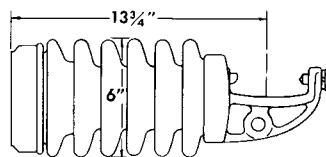
H-44850A

MECHANICAL, ELECTRICAL VALUES

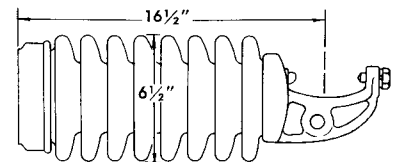
Cat. No.	Base	Cantilever Strength Pounds	Typical Application Voltage KV	Low-Frequency Flashover—KV		Impulse Flashover—KV†		Radio Influence Voltage	
				Dry	Wet	Positive	Negative	Low-Freq. Test (Rms to Grd) KV	Max. Microvolts at 1000 Kc
2825 2925	Ferrous Aluminum	2800	25	80	70	130	155	15	100
2835 2935	Ferrous Aluminum	2800	35	110	100	180	205	22	100
2845 2945	Ferrous Aluminum	2800	45	125	115	210	260	30	200



Cat. No. 2825
Cat. No. 2925



Cat. No. 2835
Cat. No. 2935



Cat. No. 2845
Cat. No. 2945

DIMENSIONS, WEIGHTS

Cat. No.	Base	Leakage Distance Inches	Dry Arcing Distance Inches	WEIGHT—Pounds		Number in Standard Package
				Net Per 100	Shipping Per 100	
2825 2925	Ferrous Aluminum	14	6 1/2	1190 990	1324 1124	3
2835 2935	Ferrous Aluminum	22	9 1/2	1980 1700	2122 1842	3
2845 2945	Ferrous Aluminum	29	12 1/4	2540 2260	2706 2426	3

† Crest kv 1 1/2 x 40 microsecond wave, critical value.

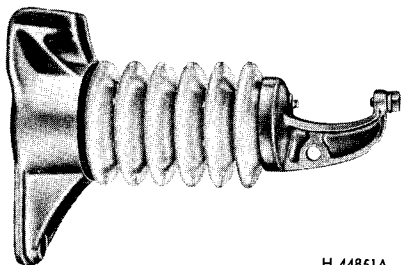
FOR MOUNTING STUDS AND CLAMP ASSEMBLY—See Line-Post Hardware, Section 12.1.3.4.

FOR SELECTION AND APPLICATION INFORMATION— See Section 12.0.3.



LINE-POST INSULATORS—CLAMP-TOP

HORIZONTAL POLE-GAIN MOUNTING



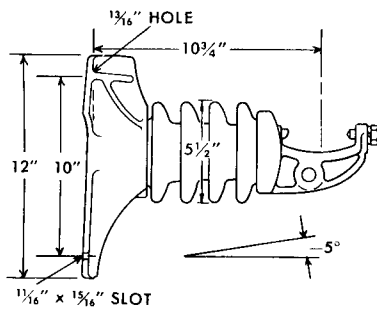
H-44851A

FEATURES

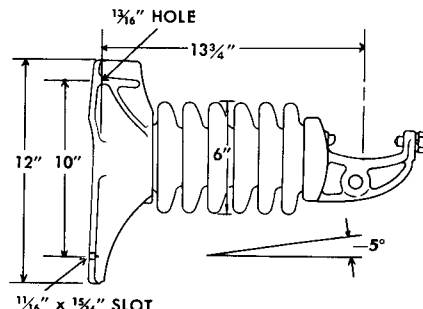
- Purified Porcelain
- Controlled Compression Glaze
- High Mechanical and Electrical Strength
- Aluminum Yoke, Clamps and Base

MECHANICAL, ELECTRICAL VALUES

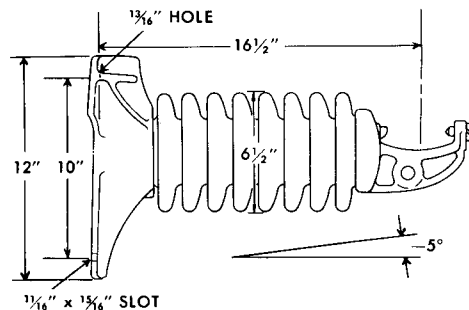
Cat. No.	Base	Cantilever Strength Pounds	Typical Application Voltage KV	Low-Frequency Flashover—KV		Impulse Flashover—KV†		Radio Influence Voltage	
				Dry	Wet	Positive	Negative	Low-Freq. Test (Rms to Grd) KV	Max. Microvolts at 1000 Kc
2725	Aluminum	2800	25	80	70	130	155	15	100
2735			35	110	100	180	205	22	100
2745			45	125	115	210	260	30	200



Cat. No. 2725



Cat. No. 2735



Cat. No. 2745

DIMENSIONS, WEIGHTS

Cat. No.	Base	Leakage Distance Inches	Dry Arcing Distance Inches	WEIGHT—Pounds		Number In Standard Package
				Net Per 100	Shipping Per 100	
2725	Aluminum	14	6 1/2	1450	1585	3
2735		22	9 1/2	2000	2142	3
2745		29	12 1/4	2600	2750	2

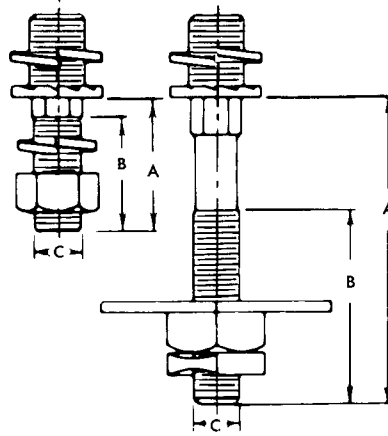
† Crest kv 1 1/2 x 40 microsecond wave, critical value.

FOR CLAMP ASSEMBLY—See Line-Post Hardware Section 12.1.3.4.

FOR SELECTION AND APPLICATION INFORMATION—See Section 12.0.3.

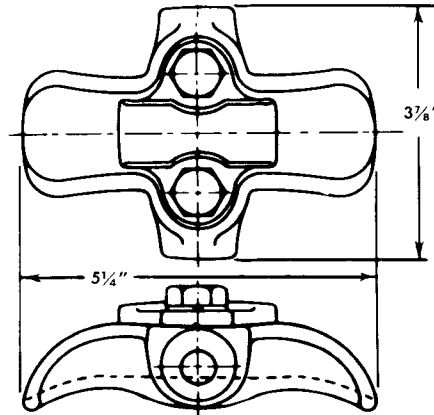


LINE-POST INSULATORS—HARDWARE



STUDS, GALVANIZED STEEL

Cat. No.	Crossarm Type	Line-Post Ratings KV	DIMENSIONS—Inches			Shipping Weight Each, Pounds
			A	B	C	
72087	Wood	35-45	7	4	3/4	1.50
72088	Steel	35-45	1 3/4	1 1/6	3/4	.56
72090	Steel	25	1 3/4	1 1/6	3/4	.45
72091	Wood	25	7	4	5/8	1.25



CLAMP ASSEMBLY, ALUMINUM

Cat. No.	Conductor Size—Inches		DIMENSIONS—Inches		Shipping Weight Each, Pounds
	Min.	Max.	Length	Width	
72157	.25	.562	5 1/4	3 3/8	.87
72158	.50	1.062			.99
72159	1.00	1.500			1.25