

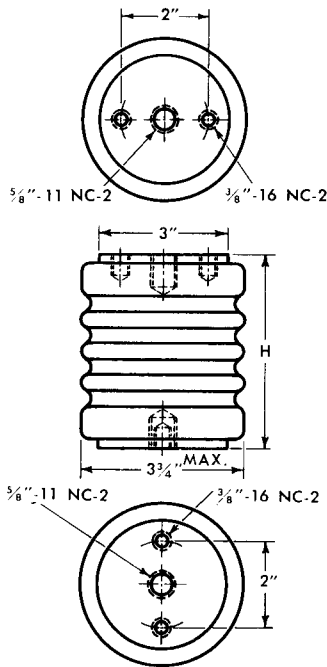


INDOOR INSULATORS—SWITCH AND BUS SUPPORT

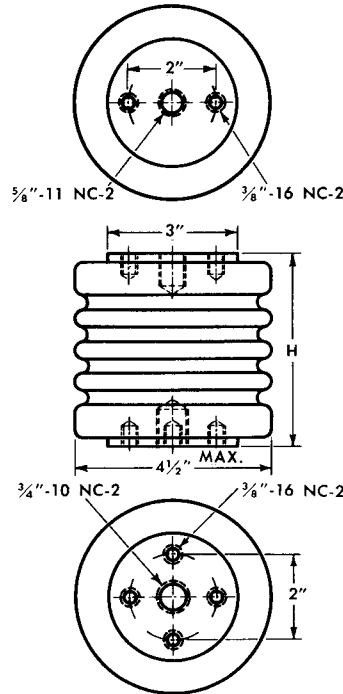
CLASS A

FEATURES

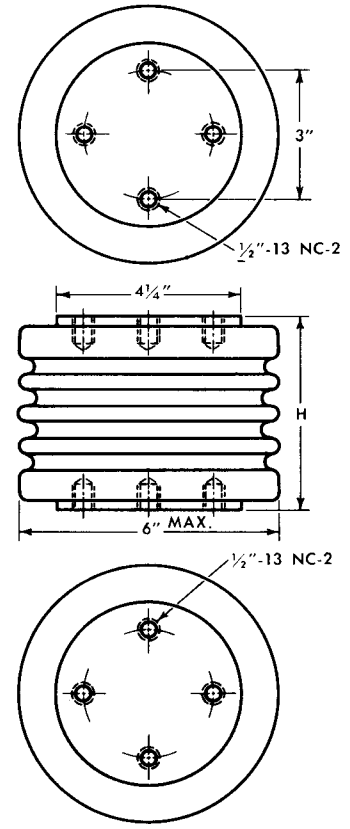
- Complete NEMA Line
- Ferrous Hardware
- Controlled Compression Glaze
- High Mechanical and Electrical Strength



Cat. Nos. 5650-5652
Inclusive
Class A-10



Cat. Nos. 5750-5753
Inclusive
Class A-20



Cat. Nos. 5850-5855
Inclusive
Class A-30

ELECTRICAL, MECHANICAL PROPERTIES

Cat. No.	NEMA Class No.	Voltage Rating KV		Withstand Voltage 60-Cycle—KV			Height H Inches	Cantilever Strength, 2 1/2" Above Pounds	Tensile Strength, Pounds	Torsional Strength, In.—Lb	Compression Strength, Pounds	Shipping Weight, Lb/100
		NEMA	Nom.	Im-pulse†	Dry	Dew						
5651	A-10	4.8	5.0	60	19	15	3 1/2	750	1,500	1,500	10,000	415
5652		7.2	7.5	75	26	24	4 1/2					
5750	A-20	4.8	5.0	60	19	15	3 1/2	1,000	2,000	2,500	20,000	525
5751		7.2	7.5	75	26	24	4 1/2	1,500	3,000	3,500		675
5752		13.2	15L	95	36	26	6	1,250	3,000	3,500		850
5753		14.4	15H	110	50	30	7 1/2	1,000	3,000	3,500		1,017
5850	A-30	4.8	5.0	60	19	15	3 1/2	2,000	3,500	4,500	30,000	1,000
5851		7.2	7.5	75	26	24	4 1/2	3,000	5,000	6,000		1,300
5852		13.2	15L	95	36	26	6	2,500	5,000	6,000		1,500
5853		14.4	15H	110	50	30	7 1/2	2,000	5,000	6,000		1,925
5854		23	23	150	60	40	10 1/2	1,500	5,000	6,000		2,900
5855		34.5	34.5	200	80	—	15	1,250	5,000	6,000		4,000

† Crest kV 1 1/2 x 40 microsecond wave, critical value.

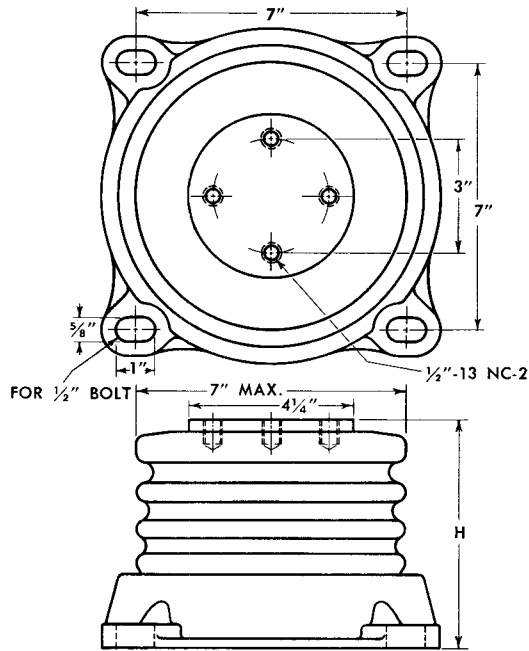


INDOOR INSULATORS—SWITCH AND BUS SUPPORT

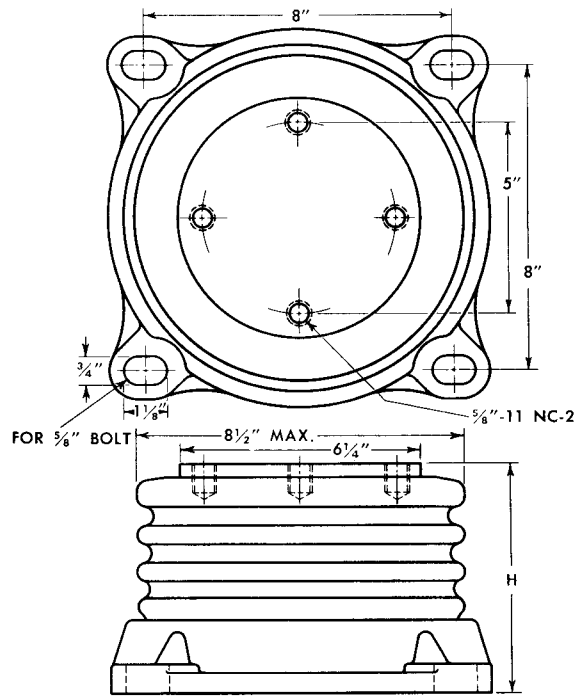
CLASS B

FEATURES

- Complete NEMA Line
- Ferrous Hardware
- Controlled Compression Glaze
- High Mechanical and Electrical Strength



Cat. Nos. 6050-6054
Inclusive
Class B-40



Cat. Nos. 6150-6154
Inclusive
Class B-50

ELECTRICAL, MECHANICAL PROPERTIES

Cat. No.	NEMA Class No.	Voltage Rating KV		Withstand Voltage 60-Cycle—KV			Height H Inches	Cantilever Strength, 2 1/2" Above Pounds	Tensile Strength, Pounds	Torsional Strength, In.—Lb	Compression Strength, Pounds	Shipping Weight, Lb/100
		NEMA	Nom.	Im-pulse†	Dry	Dew						
6050	B-40	7.2	7.5	75	26	24	6	6,000	8,000	10,000	50,000	2,950
6051		13.2	15L	95	36	26	7 1/2	5,000				
6052		14.4	15H	110	50	30	9	4,000				
6053		23	23	150	60	40	12	3,000				
6054		34.5	34.5	200	80	—	16 1/2	2,500				
6150	B-50	7.2	7.5	75	26	24	6	12,000	12,000	15,000	80,000	—
6151		13.2	15L	95	36	26	7 1/2	10,000				
6152		14.4	15H	110	50	30	9	8,000				
6153		23	23	150	60	40	12	6,000				
6154		34.5	34.5	200	80	—	16 1/2	5,000				

† Crest kV 1 1/2 x 40 microsecond wave, critical value.

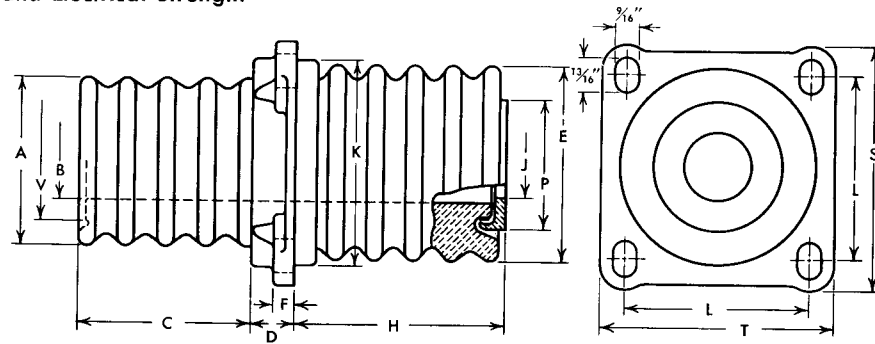


INDOOR BUSHINGS—BACK-CONNECTED

CLASS A

FEATURES

- Complete NEMA Line
- Non-Ferrous Hardware
- Controlled Compression Glaze
- High Mechanical and Electrical Strength



Cat. Nos. 6701, 6702
 Cat. Nos. 6711–6714 Inclusive
 Cat. Nos. 6721–6724 Inclusive

ELECTRICAL PROPERTIES

Cat. No.	NEMA Class No.	Voltage Rating, KV		Withstand Voltage, 60-Cycle—KV			Shipping Weight, Lb/100
		NEMA	Nom.	Impulse†	Dry	Dew	
6701	A-10	4.8	5.0	60	19	15	780
6702		7.2	7.5	75	26	24	910
6711	A-20	4.8	5.0	60	19	15	1050
6712		7.2	7.5	75	26	24	1200
6713		13.8	15L	95	36	26	1500
6714		14.4	15H	110	50	30	1740
6721	A-30	4.8	5.0	60	19	15	1610
6722		7.2	7.5	75	26	24	1880
6723		13.8	15L	95	36	26	2150
6724		14.4	15H	110	50	30	2610

† Crest kV 1½ x 40 microsecond wave, critical value.

DIMENSIONS

Cat. No.	NEMA Class No.	DIMENSIONS—Inches													
		A	B	C	D	E	F	H	J	K-Max.	L	P	S	T	V
6701 6702	A-10	3¼	1¼	3⅞ 4⅞	⅞	3¾	⅞	3⅞ 4⅞	1½	4⅞	3¾	2¾	5⅞	4⅞	2
6711 6712 6713 6714	A-20	3⅞	1¾	3 4 5½ 7	1	4½	½	3⅞ 4⅞ 6⅞ 7⅞	1⅞	4¾	4¼	3	5⅞	5⅞	2¾
6721 6722 6723 6724	A-30	4⅞	2¾	3⅞ 4⅞ 5⅞ 7⅞	1⅞	6	⅞	3⅞ 4⅞ 6⅞ 7⅞	2⅞	5¾	5	4¼	6⅞	6⅞	3½

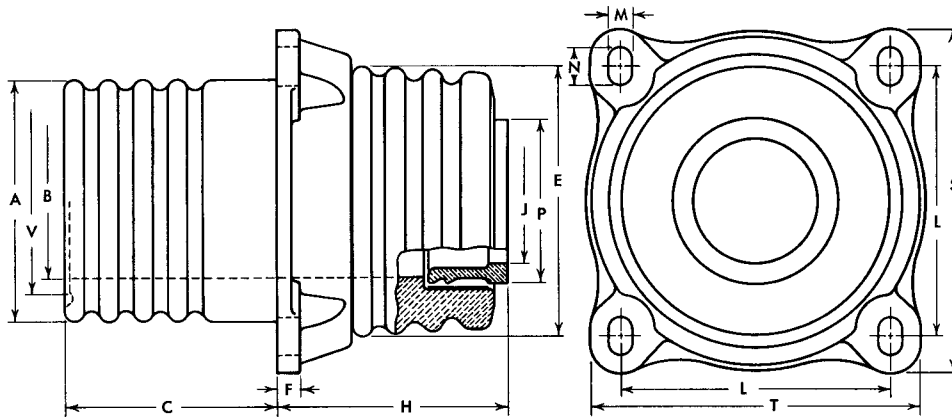


INDOOR BUSHINGS—BACK-CONNECTED

CLASS B

FEATURES

- Complete NEMA Line
- Non-Ferrous Hardware
- Controlled Compression Glaze
- High Mechanical and Electrical Strength



Cat. Nos. 6741–6744 Inclusive
 Cat. Nos. 6751–6754 Inclusive

ELECTRICAL PROPERTIES

Cat. No.	NEMA Class No.	Voltage Rating, KV		Withstand Voltage, 60-Cycle—KV			Shipping Weight, Lb/100
		NEMA	Nom.	Impulse†	Dry	Dew	
6741	B-40	7.2	7.5	75	26	24	3060
6742		13.8	15L	95	36	26	3570
6743		14.4	15H	110	50	30	4050
6744		23.0	23.0	150	60	40	5040
6751	B-50	7.2	7.5	75	26	24	4200
6752		13.8	15L	95	36	26	4940
6753		14.4	15H	110	50	30	5490
6754		23.0	23.0	150	60	40	7000

† Crest kV 1½ x 40 microsecond wave, critical value.

DIMENSIONS

Cat. No.	NEMA Class No.	DIMENSIONS—Inches													
		A	B	C	E	F	H	J	L	M	N	P	S	T	V
6741	B-40	6¼	4	5½	7	¾	6	3½	7	¾	1	4¼	8¾	8¾	4¾
6742				7¼			7½								
6743				8¾			9								
6744				12			12								
6751	B-50	7½	5	5½	8½	¾	6	4½	8	¾	1½	6¼	9¾	9½	5¾
6752				7¼			7½								
6753				8¾			9								
6754				12			12								