



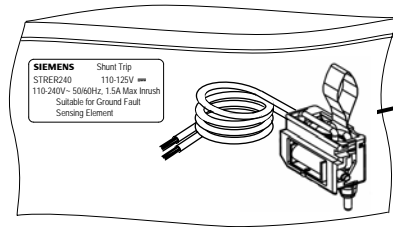
Shunt Trip
 Disparador de Apertura
 Déclencheur à émission de courant

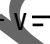
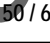
Item: **STREM60D**
STREV600
STRER240
 For Use With Frame EG
 Para Usar Con Caja Base EG

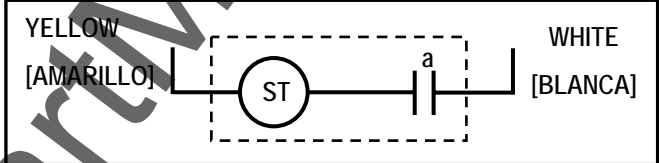
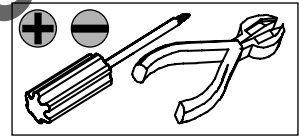
Installation Instructions / Instructivo de Instalación

	⚠ Danger	⚠ Peligro	⚠ Danger
	Hazardous Voltage. Will cause death or serious injury.	Tensión peligrosa. Puede causar la muerte o lesiones graves.	Tension dangereuse. Danger de mort ou risque de blessures graves.
	Turn off and lock out all power supplying this device before working on this device. Replace all covers before power supplying this device is turned on.	Desenergice totalmente antes de instalar o darle servicio. Reemplace todas las barreras y cubiertas antes de energizar el interruptor.	Couper l'alimentation de l'appareil et barrer avant de travailler. Remplacez tous les couverts avant que l'alimentation de pouvoir soit alimenté.

Use only with Siemens certified components.
 Utilizar únicamente con componentes certificados de Siemens.
 A utiliser uniquement avec les composants certifiés Siemens.



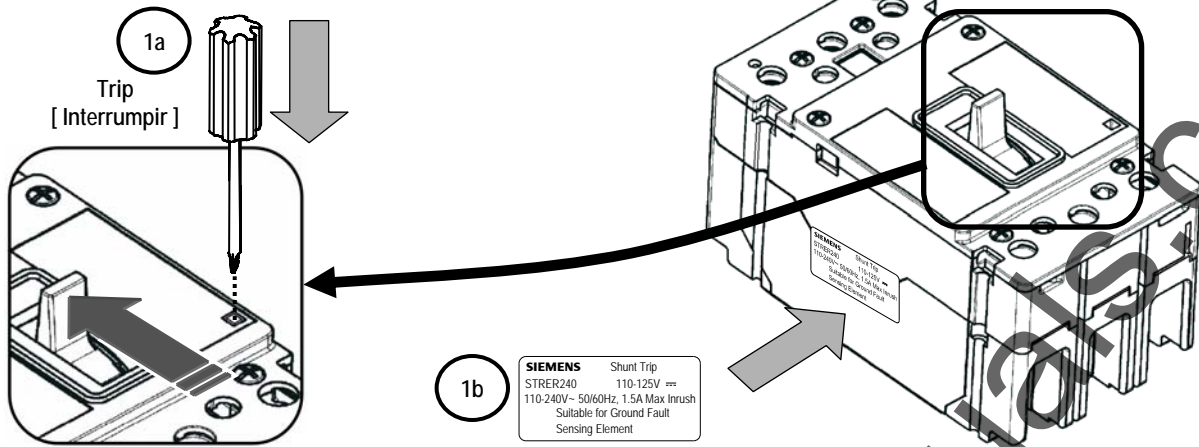
STRE240 = 110-125V STREM60D = 24 - 60V	
STREV600 = 380-600V STRER240 = 110-240V STREM60D = 24-60V	



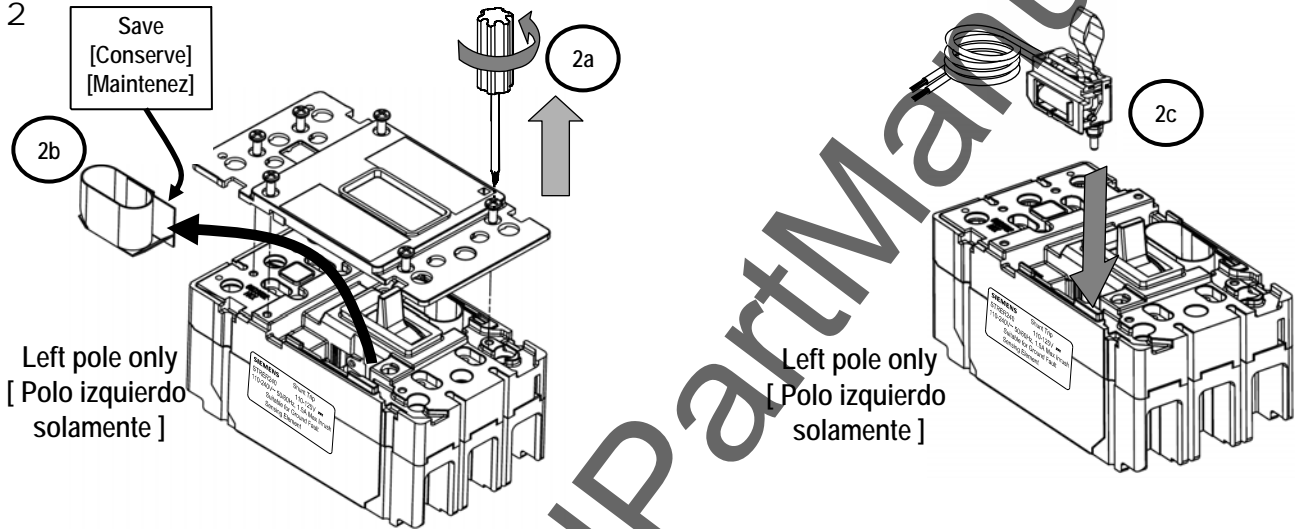
Catalog Number [Número De Catálogo]	Application Ratings [Intensidad de la aplicación]		Electrical Operating Ratings (Nominal Values) [Grados de operación eléctrica (Valores Nominales)]				
	Voltage U _o [Voltaje] (U _o)	Frequency [Frecuencia]	Supply Voltage [Fuente de Voltaje] (U _s)	Minimum Operating Voltage [Voltaje mínimo de operación]	Inrush Current [Entrada de corriente repentina] (A)	VA [VA]	
STREM60D	24 - 60	50 - 60 Hz	24	18	1.7	41	
			48		2.9	139	
			60		3.5	210	
	24 - 60	DC	24	18	5.0	120	
			48		9.9	475	
			60		12.0	720	
STRER240 (Suitable for use in ground fault protection applications)	110 - 240	50 - 60 Hz	110	60	.75	83	
			120		.77	92	
			127		.92	117	
			208		1.3	270	
			220		1.4	308	
			240		1.5	360	
	110 - 125	DC	110	82	0.9	99	
			120		1.0	120	
			125		1.0	121	
			380		285	1.1	418
			415			1.3	540
			440			1.3	572
480	1.3	624					
525	1.6	840					
550	1.6	880					
STREV600	380 - 600	50 - 60 Hz	600	285	1.8	1080	



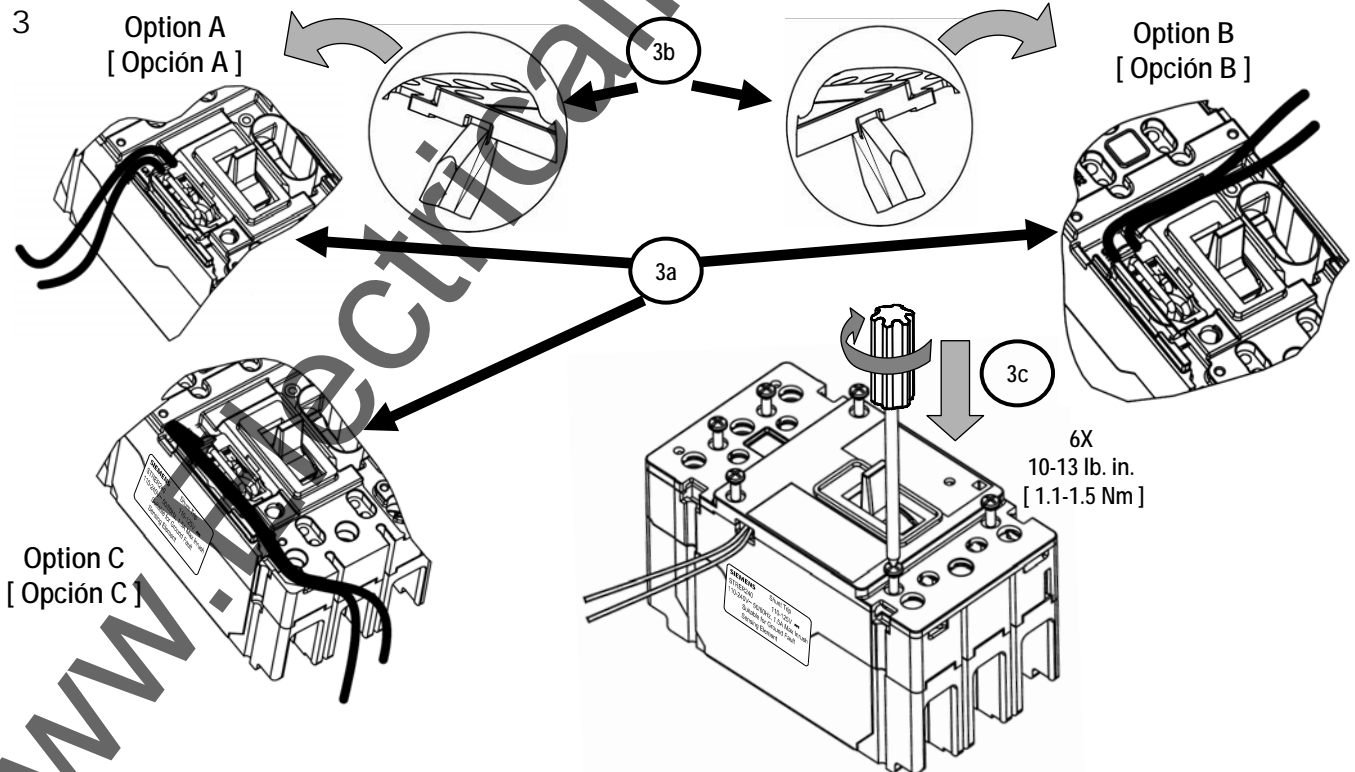
1



2



3





Danger

Hazardous Voltage.
Will cause death or serious injury.
Turn off and lock out all power supplying this device before working on this device.
Replace all covers before power supplying this device is turned on.

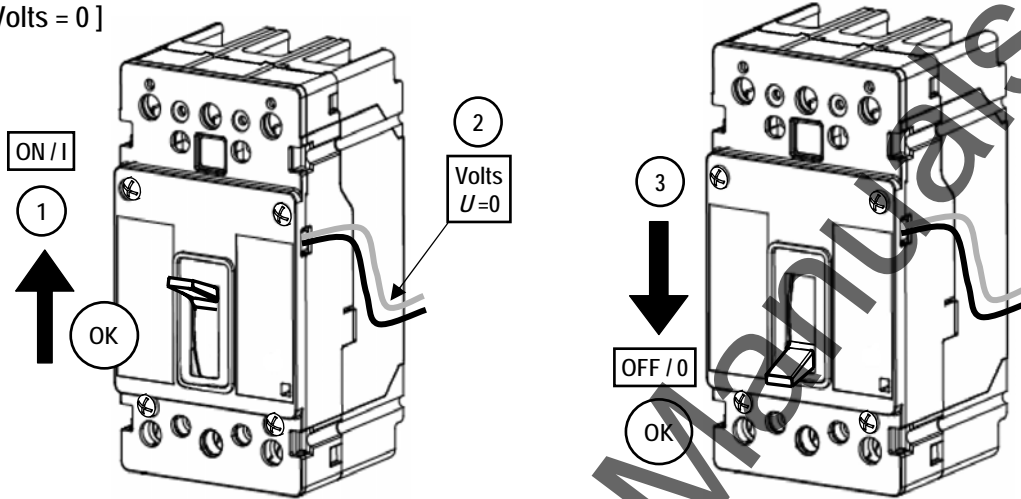
Peligro

Tensión peligrosa.
Puede causar la muerte o lesiones graves.
Desenergice totalmente antes de instalar o darle servicio.
Reemplace todas las barreras y cubiertas antes de energizar el interruptor.

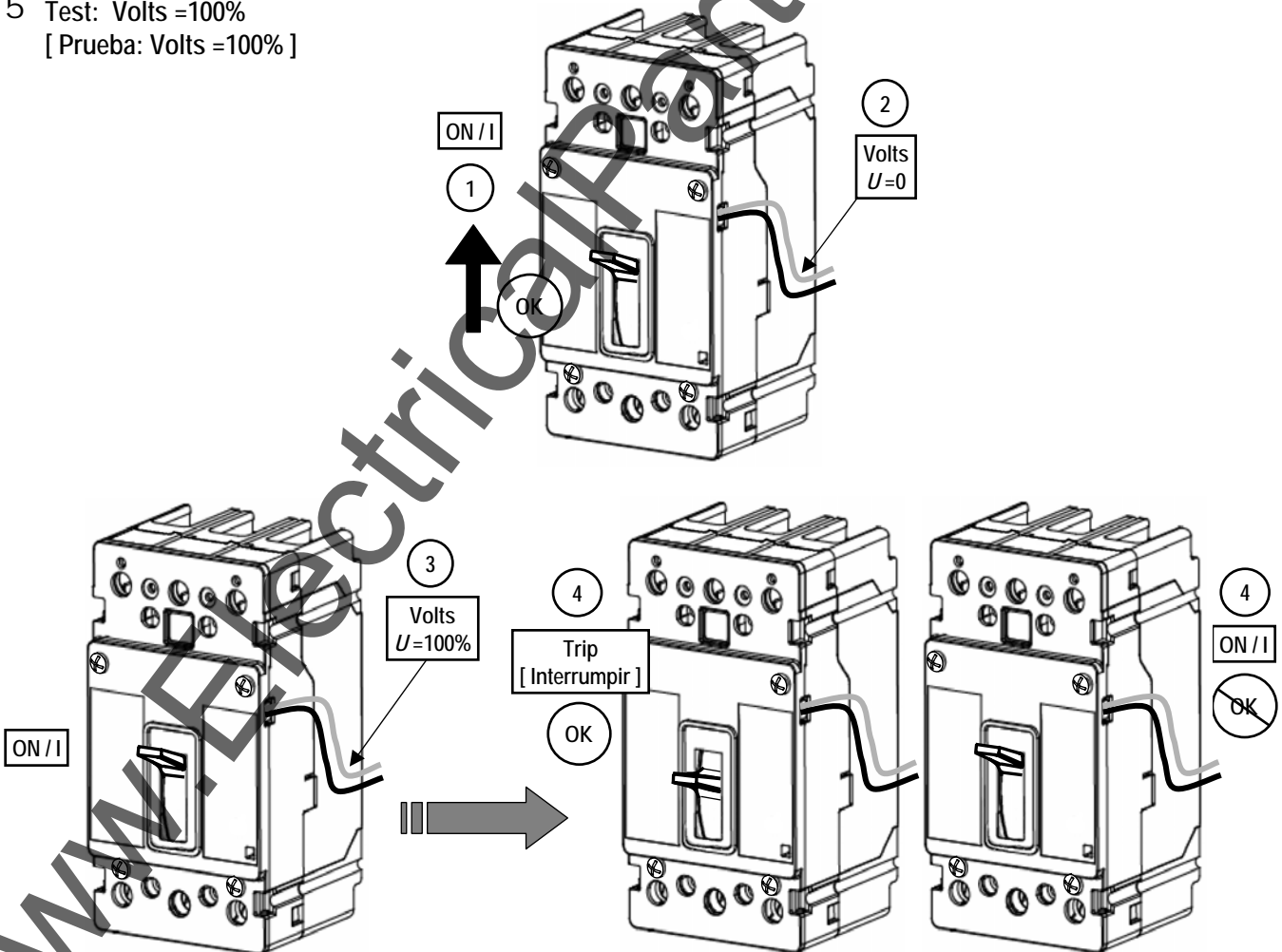
Danger

Tension dangereuse.
Danger de mort ou risque de blessures graves.
Couper l'alimentation de l'appareil et barrer avant de travailler.
Remplacez tous les couverts avant que l'approvisionnement de pouvoir soit alimenté.

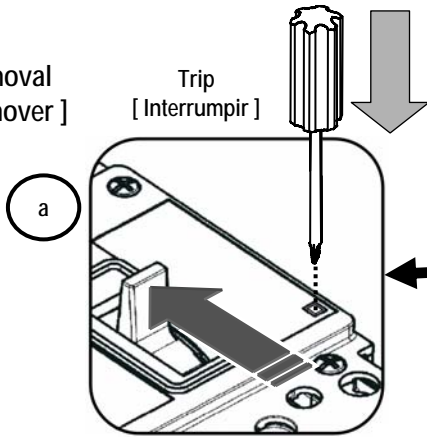
4 Test: Volts = 0
[Prueba: Volts = 0]



5 Test: Volts =100%
[Prueba: Volts =100%]



Removal
[Remover]

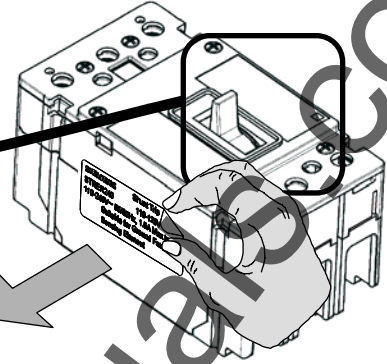


Trip
[Interrumpir]

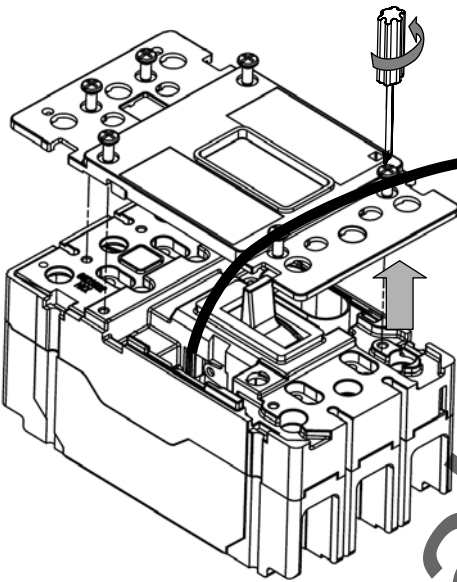
a

b

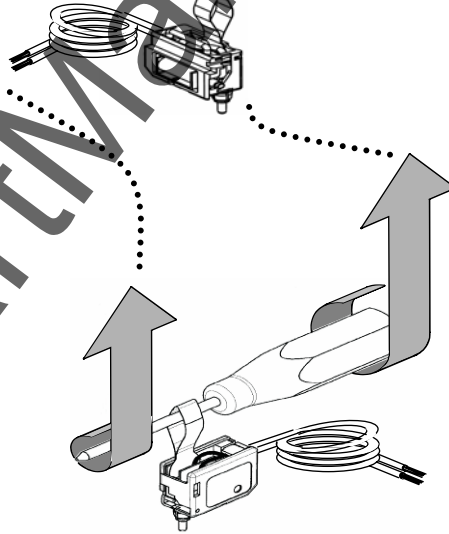
SIEMENS Shunt Trip
STRER240 110-125V ~
110-240V ~ 50/60Hz, 1.5A Max Inrush
Suitable for Ground Fault
Sensing Element



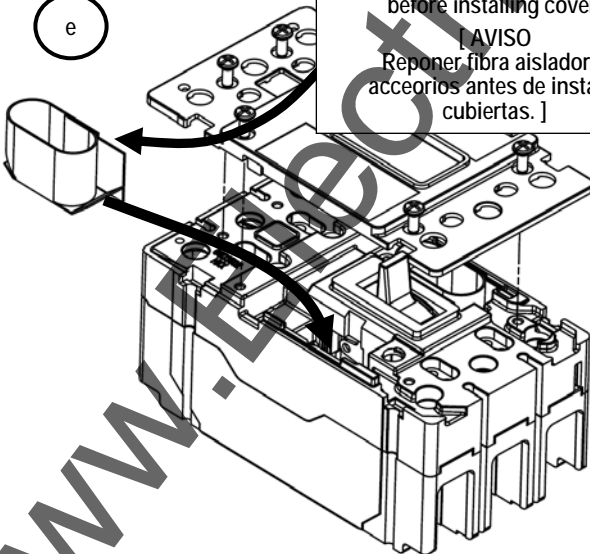
d



c

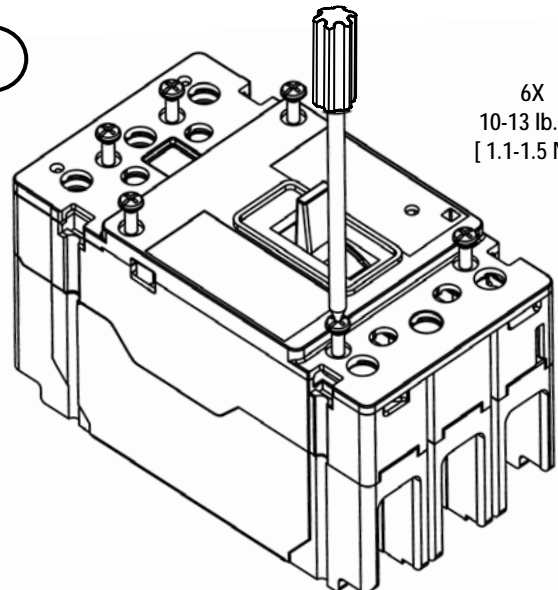


e



NOTICE
Replace fiber insert or accessory
before installing cover.
[AVISO
Reponer fibra aislador o
accesorios antes de instalar
cubiertas.]

f



6X
10-13 lb. in.
[1.1-1.5 Nm]

Technical Support:

Toll Free: 1-800-964-4114

Internet: www.sea.siemens.com

Subject to change without prior notice
Siemens Energy & Automation Inc., Alpharetta, GA U.S.A.

4 / 4

© Siemens Energy & Automation Inc. 2004

IL01219036EH02
807849A01